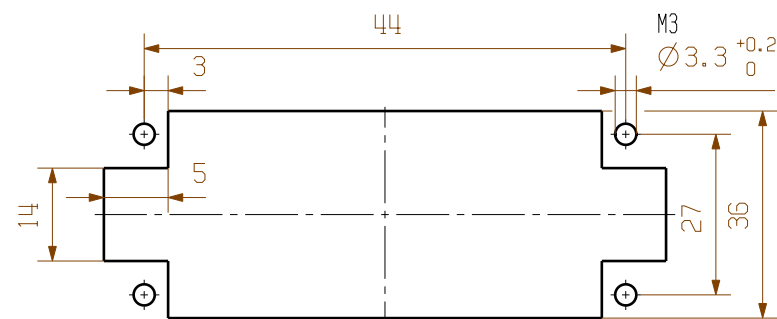
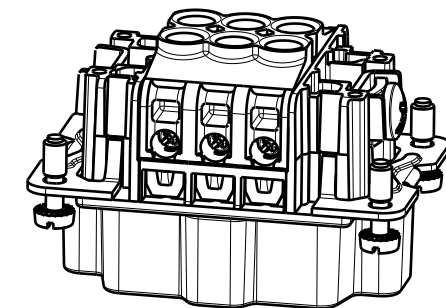
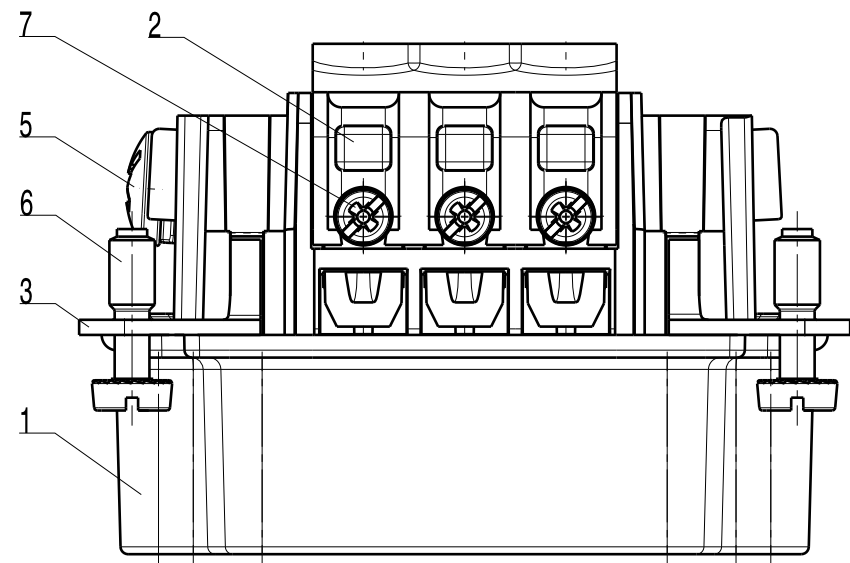
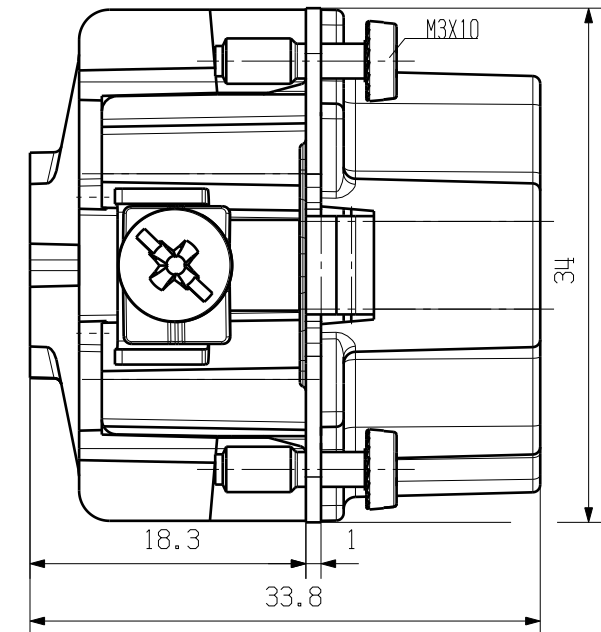
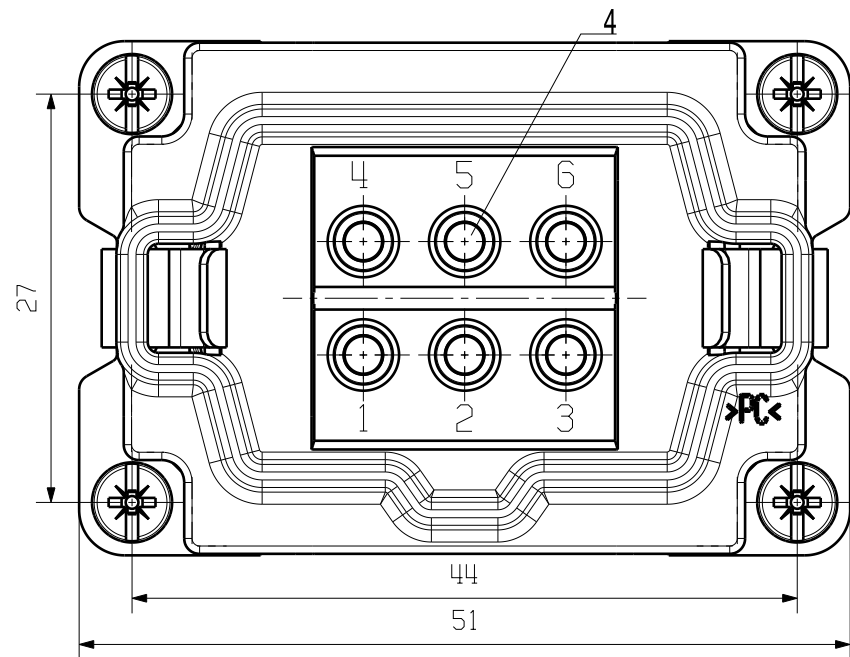


MASSE OHNE TOLERANZ SIND KEINE PRUEFMASSE
 DIMS. WITHOUT TOLERANCE ARE NOT CONTROL DIMS.



MOTAGEAUSSCHNITT
 MOUNTING CUT-OUT

500V 16A

BEMESS.SPANNUNG RATED VOLTAGE BEMESS.STROM RATED CURRENT

7	SCREW	STEEL WITH NICKLE PLATING
6	SCREW	STEEL WITH NICKLE PLATING
5	SCREW	STEEL WITH NICKLE PLATING
4	CONTACTOR	BRASS WITH SILVER PLATING
3	PE CONTACT	BRASS WITH NICKLE PLATING
2	COVER	PC
1	CONTACT CARRIER	PC
ROHSTOFF-NR. R.PART NO.	TYP PART NAME	WERKSTOFF MATERIAL

MAX. NRN./NOS. ?		CAT.NO.: 120000000	
MODIFICATION		DRAWING NO. ISSUE NO.	
Weidmüller		HDC HE 06 MS	
SCALE: 2/1		Stifteinsatz Male Insert	
SUPERSEDES:		PRODUCT FILE:	
SUPERSEDED BY:			
DRAWN	DATE	NAME	
RESPONSIBLE	21.10.2005	LIU_F	
CHECKED	31.10.2005	Zhang_T	
APPROVED			

WEITERGABE SOWIE VERVIELFÄLTIGUNG DIESES DOKUMENTS, VERWERTUNG UND MITTEILUNG SEINES INHALTS SIND VERBOTEN, SOWEIT NICHT AUSDRUECKLICH GESTATET.
 ZUWIDERHANDLUNGEN VERPFLICHTEN ZU SCHADENERSATZ. ALLE RECHTE FUER DEN FALL DER PATENT-, GEBRAUCHSMUSTER- ODER GESCHWACKMUSTEREINTRAGUNG VORBEHALTEN.
 THE REPRODUCTION, DISTRIBUTION AND UTILIZATION OF THIS DOCUMENT AS WELL AS THE COMMUNICATION OF ITS CONTENTS TO OTHERS WITHOUT EXPLICIT AUTHORIZATION IS PROHIBITED.
 OFFENDERS WILL BE HELD LIABLE FOR THE PAYMENT OF DAMAGES. ALL RIGHTS RESERVED IN THE EVENT OF THE GRANT OF A PATENT, UTILITY MODEL OR DESIGN.