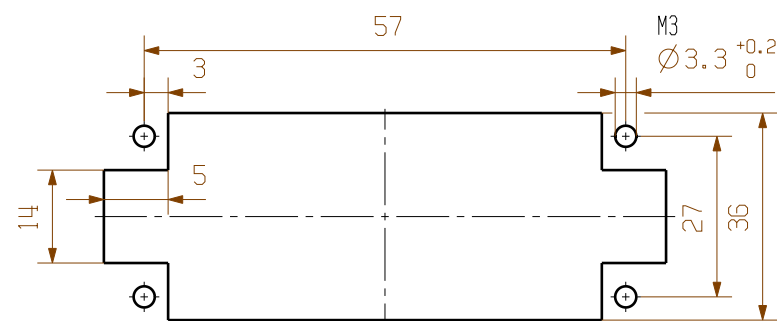
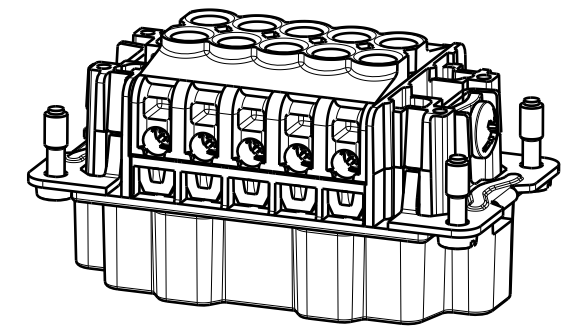
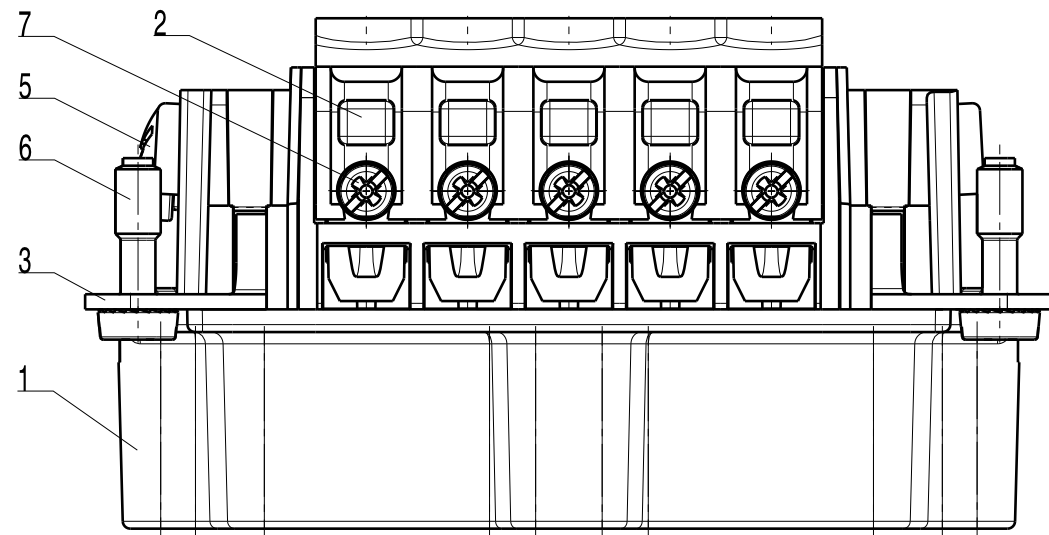
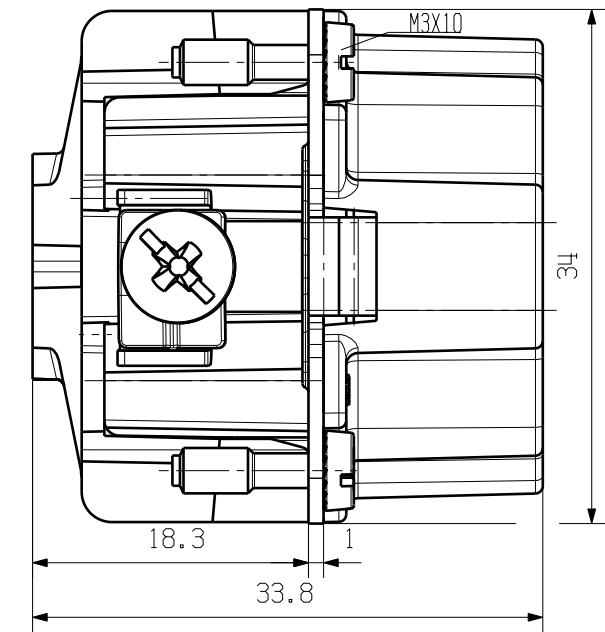
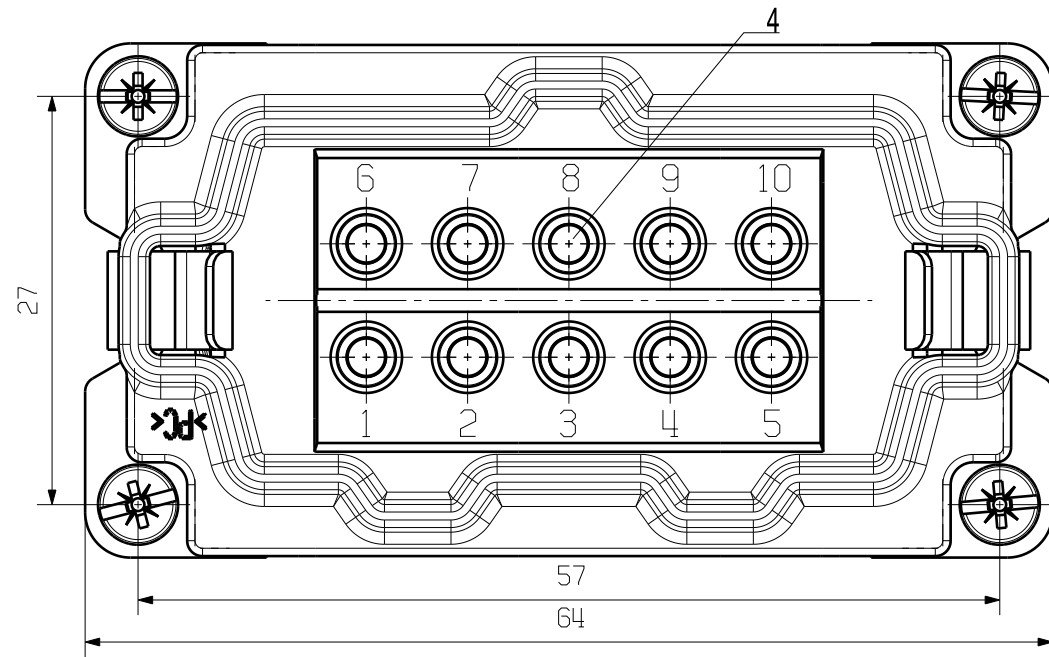


MASSE OHNE TOLERANZ SIND KEINE PRUEFMASSE
 DIMS. WITHOUT TOLERANCE ARE NOT CONTROL DIMS.



MOTAGEAUSSCHNITT
 MOUNTING CUT-OUT

500V 16A

BEMESS.SPANNUNG RATED VOLTAGE BEMESS.STROM RATED CURRENT

7	SCREW	STEEL WITH NICKLE PLATING
6	SCREW	STEEL WITH NICKLE PLATING
5	SCREW	STEEL WITH NICKLE PLATING
4	CONTACTOR	BRASS WITH SILVER PLATING
3	PE CONTACT	BRASS WITH NICKLE PLATING
2	COVER	PC
1	CONTACT CARRIER	PC
ROHSTOFF-NR. R.PART NO.	TYP PART NAME	WERKSTOFF MATERIAL

CAT.NO.: 120390000

		Weidmüller		DRAWING NO.	ISSUE NO.
MODIFICATION		DATE	NAME	HDC HE 10 MS Stifteinsatz Male Insert	
DRAWN	24.10.2005	LIU_F	PRODUCT FILE:		
SUPERSEDES:	CHECKED	31.10.2005	Zhang_T		
SUPERSEDED BY:	APPROVED				

WEITERGABE SOWIE VERVIELFÄLTIGUNG DIESES DOKUMENTS, VERWERTUNG UND MITTEILUNG SEINES INHALTS SIND VERBOTEN, SOWEIT NICHT AUSDRUECKLICH GESTATET.
 ZUWIDERHANDLUNGEN VERPFLICHTEN ZU SCHADENERSATZ. ALLE RECHTE FUER DEN FALL DER PATENT-, GEBRAUCHSMUSTER- ODER GESCHWACKMUSTEREINTRAGUNG VORBEHALTEN.
 THE REPRODUCTION, DISTRIBUTION AND UTILIZATION OF THIS DOCUMENT AS WELL AS THE COMMUNICATION OF ITS CONTENTS TO OTHERS WITHOUT EXPLICIT AUTHORIZATION IS PROHIBITED.
 OFFENDERS WILL BE HELD LIABLE FOR THE PAYMENT OF DAMAGES. ALL RIGHTS RESERVED IN THE EVENT OF THE GRANT OF A PATENT, UTILITY MODEL OR DESIGN.