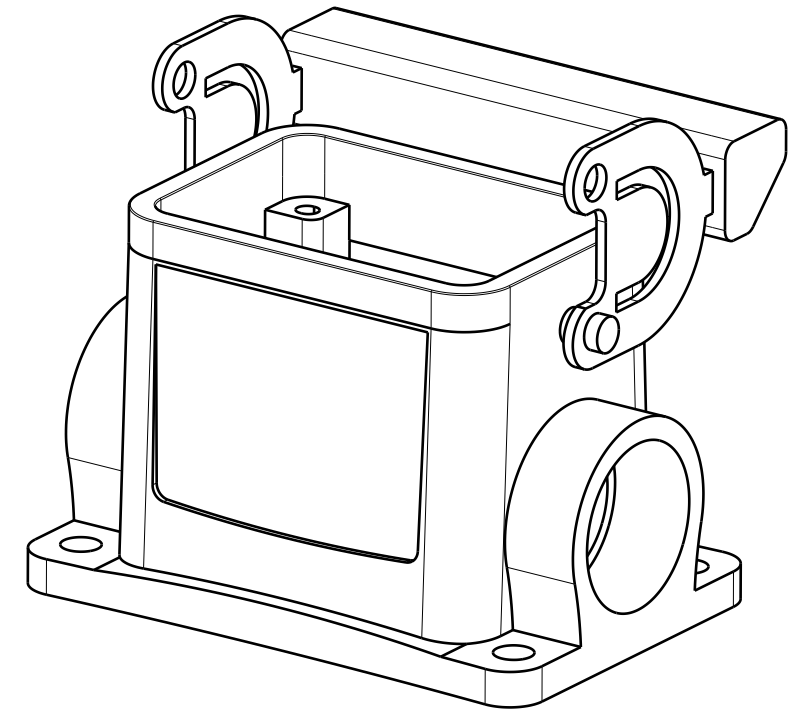
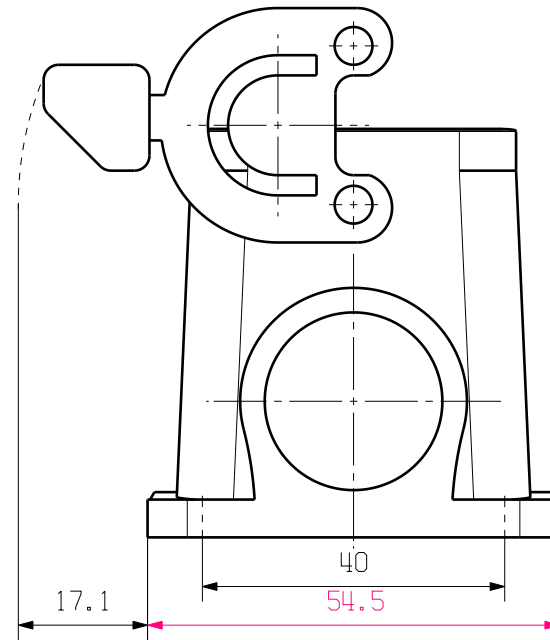
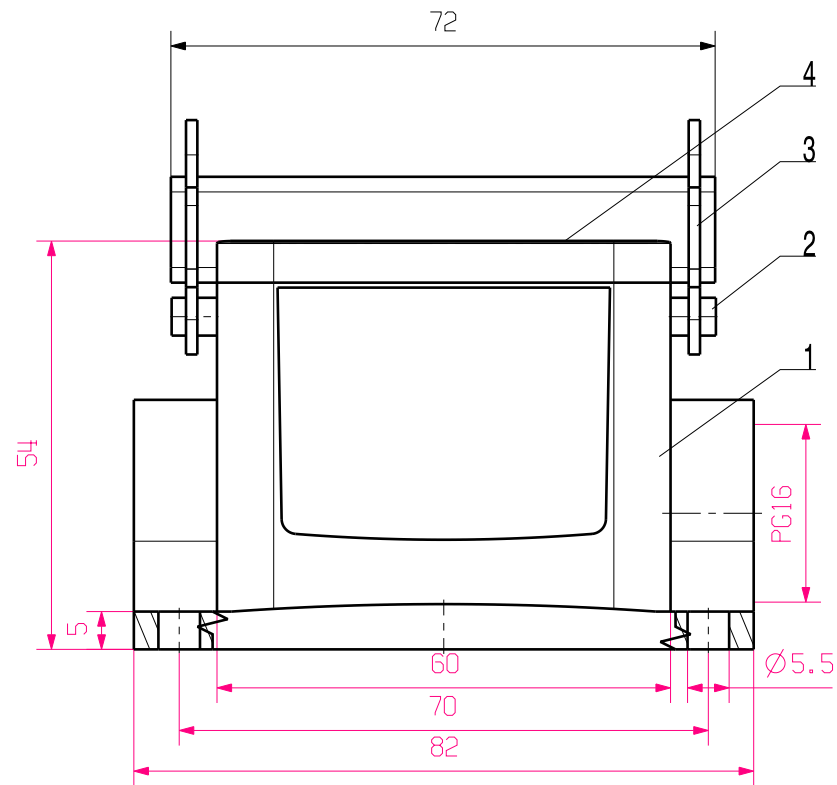


MASSE OHNE TOLERANZ SIND KEINE PRUEFMASSE
 DIMS. WITHOUT TOLERANCE ARE NOT CONTROL DIMS.



| | | |
|----------------------------|------------------|-------------------------------|
| 4 | SEALING | NBR |
| 3 | LOCKING | STAINLESS STEEL |
| 2 | LOCKING BOLTS | STAINLESS STEEL |
| 1 | BASE HOUSING | ALUMINIUM WITH POWDER COATING |
| ROHSTOFF-NR. R.PART NO. | TYP PART NAME | WERKSTOFF MATERIAL |

CAT.NO.: 1652750000

| | | | | | |
|----------------|-------------|------------|---------|---|--|
| | | | | | |
| | | DATE | NAME | HDC 06B SLU 1PG16G SOCKELGEHAEUSE BASE HOUSING | |
| SCALE: 1/1 | DRAWN | 11.11.2005 | LIU_F | PRODUCT FILE: | |
| SUPERSEDES: | RESPONSIBLE | | | | |
| SUPERSEDED BY: | CHECKED | 30.11.2005 | ZHANG_T | | |
| | APPROVED | | | | |

WEITERGABE SOWIE VERVIELFÄLTIGUNG DIESES DOKUMENTS, VERWERTUNG UND MITTEILUNG SEINES INHALTS SIND VERBOTEN, SOWEIT NICHT AUSDRUECKLICH GESTATET.
 ZUWIDERHANDLUNGEN VERPFLICHTEN ZU SCHADENERSATZ. ALLE RECHTE FUER DEN FALL DER PATENT-, GEBRAUCHSMUSTER- ODER GESCHMACKSMUSTEREINTRAGUNG VORBEHALTEN.
 THE REPRODUCTION, DISTRIBUTION AND UTILIZATION OF THIS DOCUMENT AS WELL AS THE COMMUNICATION OF ITS CONTENTS TO OTHERS WITHOUT EXPLICIT AUTHORIZATION IS PROHIBITED.
 OFFENDERS WILL BE HELD LIABLE FOR THE PAYMENT OF DAMAGES. ALL RIGHTS RESERVED IN THE EVENT OF THE GRANT OF A PATENT, UTILITY MODEL OR DESIGN.