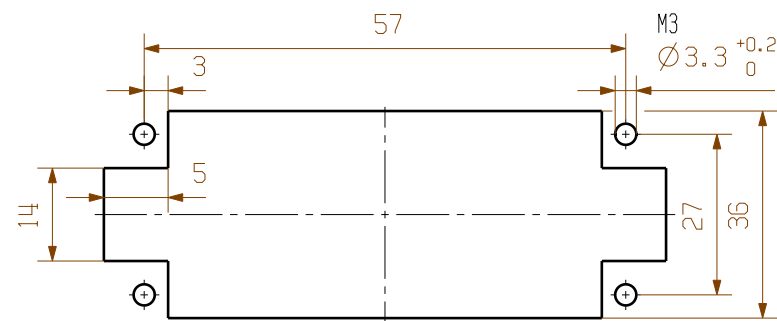
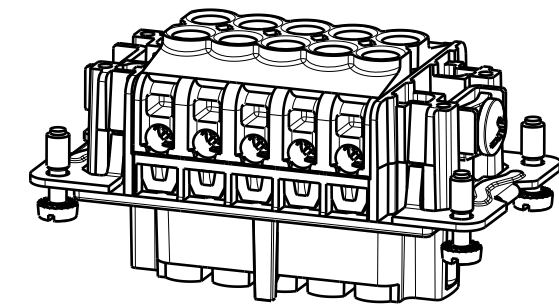
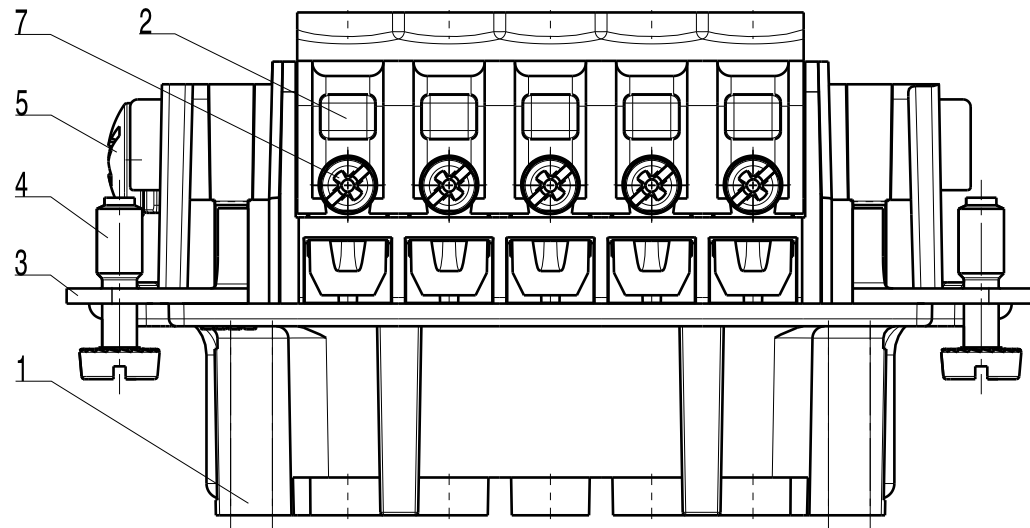
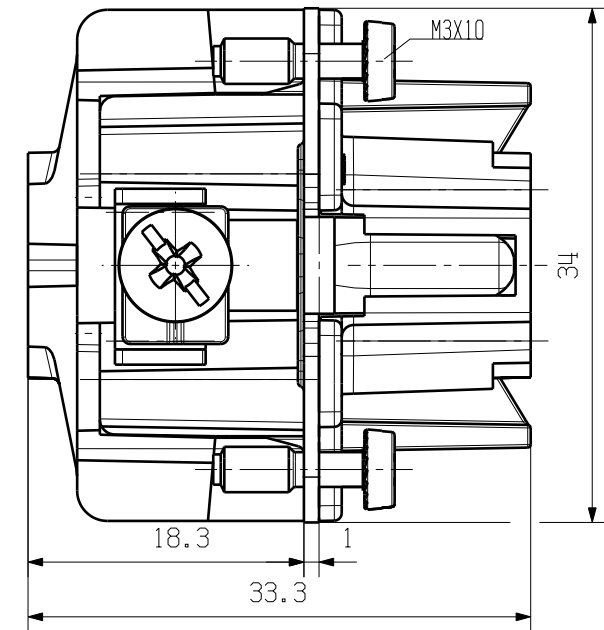
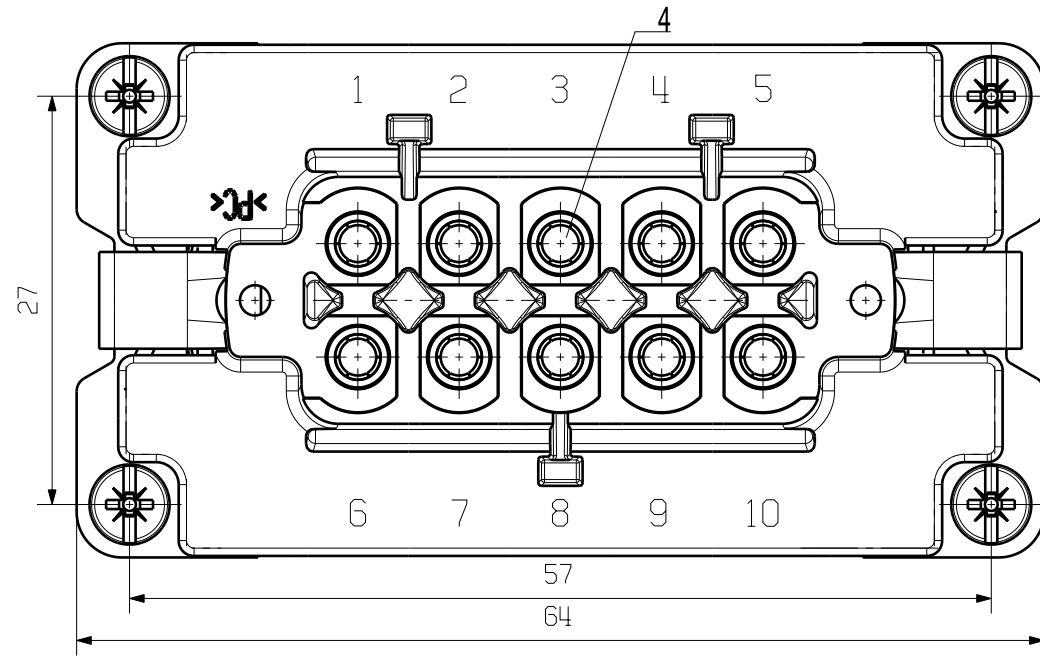


MASSE OHNE TOLERANZ SIND KEINE PRUEFMASSE
 DIMS. WITHOUT TOLERANCE ARE NOT CONTROL DIMS.



MOTAGEAUSSCHNITT
 MOUNTING CUT-OUT

500V

16A

BEMESS.SPANNUNG
 RATED VOLTAGE

BEMESS.STROM
 RATED CURRENT

7	SCREW	STEEL WITH NICKLE PLATING
6	SCREW	STEEL WITH NICKLE PLATING
5	SCREW	STEEL WITH NICKLE PLATING
4	CONTACTOR	BRASS WITH SILVER PLATING
3	PE CONTACT	BRASS WITH NICKLE PLATING
2	COVER	PC
1	CONTACT CARRIER	PC
ROHSTOFF-NR. R.PART NO.	TYP PART NAME	WERKSTOFF MATERIAL

CAT.NO.: 120410000

		MODIFICATION				DRAWING NO. ISSUE NO.	
SCALE: 2/1		DRAWN	DATE 24.10.2005	NAME LIU_F		HDC HE 10 FS Buchseneinsatz Female Insert	
SUPERSEDES:		CHECKED	DATE 31.10.2005	NAME Zhang_T			
SUPERSEDED BY:		APPROVED	PRODUCT FILE:				

WEITERGABE SOWIE VERVIELFÄLTIGUNG DIESES DOKUMENTS, VERWERTUNG UND MITTEILUNG SEINES INHALTS SIND VERBOTEN, SOWEIT NICHT AUSDRUECKLICH GESTATET.
 ZUWIDERHANDLUNGEN VERPFLICHTEN ZU SCHADENERSATZ. ALLE RECHTE FUER DEN FALL DER PATENT-, GEBRAUCHSMUSTER- ODER GESCHMACKSMUSTEREINTRAGUNG VORBEHALTEN.
 THE REPRODUCTION, DISTRIBUTION AND UTILIZATION OF THIS DOCUMENT AS WELL AS THE COMMUNICATION OF ITS CONTENTS TO OTHERS WITHOUT EXPLICIT AUTHORIZATION IS PROHIBITED.
 OFFENDERS WILL BE HELD LIABLE FOR THE PAYMENT OF DAMAGES. ALL RIGHTS RESERVED IN THE EVENT OF THE GRANT OF A PATENT, UTILITY MODEL OR DESIGN.