

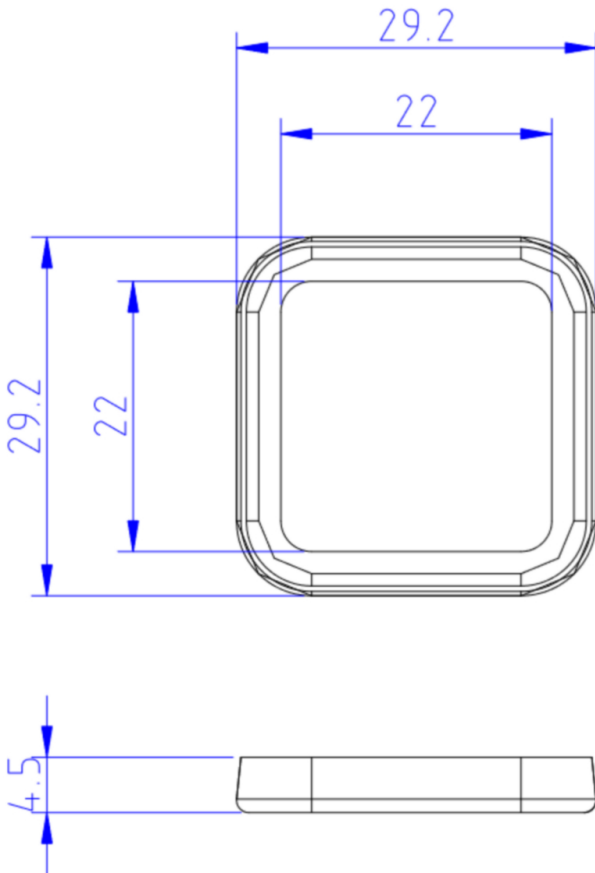
Product: [GDM 3-16 NBR BK](#)

GDM 3-16, Accessory, Profiled Gasket for Form A Female connectors

Product Description

GDM - 175301-803 (DIN 43650), Form A, Gasket, 18mm, Profiled , for use with select Form A field attachable females, NBR, black

Technical Drawing



Technical Specifications

Technical Data

Product Family:	Valve Connectors
Product Sub Family:	Field Attachable Accessories
Brand:	Hirschmann
Connector Type:	Gasket
Connector Design:	Profiled
Coding:	A

Attachment Type:	Profiled
Ambient Temperature (Operation)*:	-30° C ... +90° C

Materials

Gasket Material:	NBR - black
------------------	-------------

Safety & Environmental Compliance

RoHS Compliant:	Yes
-----------------	-----

Resistances

Halogenfree:	Yes
--------------	-----

Notes

Note:	Compatiability may be limited by connector body design. See selection guide under downloads for more info.
-------	--

Variants

Item #	Item Description	Packaging
731531002	Gasket GDM 3-16 NBR-SW VE 50	Collect packaging, bag of 50 pieces

© 2021 Belden, Inc

All Rights Reserved.

Although Belden makes every reasonable effort to ensure their accuracy at the time of this publication, information and specifications described here in are subject to error or omission and to change without notice, and the listing of such information and specifications does not ensure product availability.

Belden provides the information and specifications herein on an "ASIS" basis, with no representations or warranties, whether express, statutory or implied. In no event will Belden be liable for any damages (including consequential, indirect, incidental, special, punitive, or exemplary damages) whatsoever, even if Belden has been advised of the possibility of such damages, whether in an action under contract, negligence or any other theory, arising out of or in connection with the use, or inability to use, the information or specifications described herein.

All sales of Belden products are subject to Belden's standard terms and conditions of sale.

Belden believes this product to be in compliance with all applicable environmental programs as listed in the data sheet. The information provided is correct to the best of Belden's knowledge, information and belief at the date of its publication. This information is designed only as a general guide for the safe handling, storage, and any other operation of the product itself or the one that it becomes a part of. The Product Disclosure is not to be considered a warranty or quality specification. Regulatory information is for guidance purposes only. Product users are responsible for determining the applicability of legislation and regulations based on their individual usage of the product.