



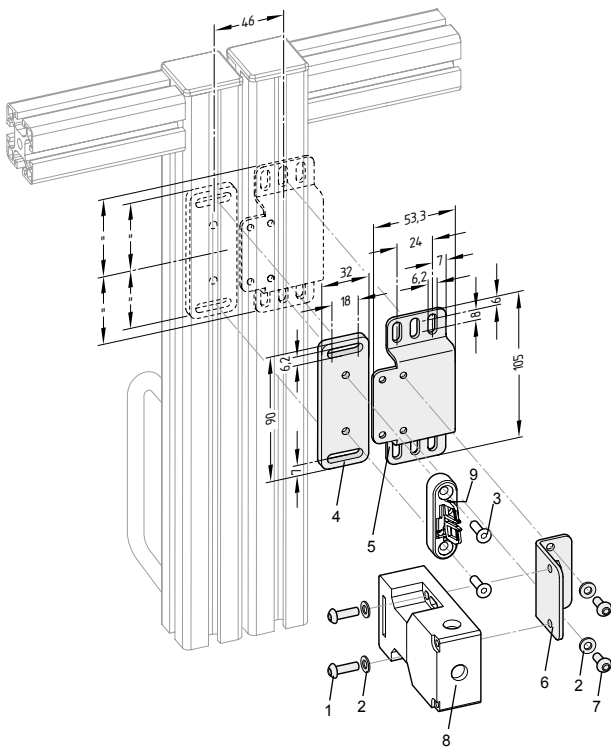
EN Operating instructions. page 1
Original

Appropriate use

The mounting sets can only be used in conjunction with actuator AZ 15/16-B6.

MS AZ 15/16 R/P

Mounting right-angled to safety guard



Key

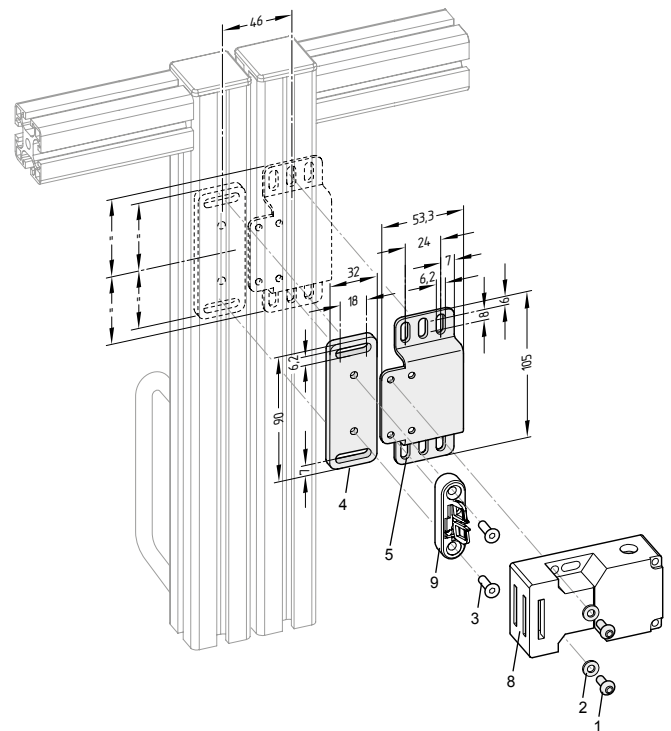
- 1 Roundhead screw M5 x 15 to ISO 7380
- 2 Washer to DIN 125-5,3
- 3 Counter sunk screw M5 x 15 to ISO 7991
- 4 Mounting plate AZ 16/AZM 161
- 5 U-profile AZ 16
- 6 Mounting angle AZ 16
- 7 Roundhead screw M5 x 10 to ISO 7380

Not included in delivery

- 8 Safety switch AZ 15/16
- 9 AZ 15/16-B6 actuator

MS AZ 15/16 P

Mounting parallel to safety guard



K. A. Schmersal GmbH & Co. KG
Mödinghofe 30, D - 42279 Wuppertal
Postfach 24 02 63, D - 42232 Wuppertal

Phone: +49 - (0)2 02 - 64 74 - 0
Telefax: +49 - (0)2 02 - 64 74 - 1 00
E-Mail: info@schmersal.com
Internet: <http://www.schmersal.com>

