



## Mounting systems for industrial sensors

Universal bar clamp systems, mounting brackets,  
protective devices, alignment brackets and mountings  
for cylinder sensors

**SICK mountings and protective devices matched to SICK sensors: the perfect team for diverse applications in many different industries**



		Universal bar clamp systems BEF...	Mounting brackets BEF...	Clamping and alignment brackets	Protective devices	Mountings for cylinder sensors	Special accessories
<b>Optical sensors</b>	CS8	p. 17					
	CSL1	p. 17					
	CSM1	p. 17	p. 33				
	DL50/DS50/DT50	p. 13	p. 48				p. 93
	DL60/DS60/DT60	p. 13	p. 48		p. 71		
	DME2000			p. 62			p. 93
	DME3000			p. 62			p. 93
	DME4000			p. 63 / p. 65			
	DME5000			p. 63			
	DMH			p. 65			
	DMP			p. 65			
	DS30	p. 13 / p. 19	p. 36 / p. 40			p. 70 / p. 72	
	DS40	p. 13	p. 48			p. 71	
	DS500			p. 64			
	DT10	p. 12 / p. 13 / p. 19	p. 34 / p. 35			p. 70	
	DT2	p. 11 / p. 12 / p. 13	p. 33 / p. 34		p. 55		
	DT20(HI)		p. 47		p. 62		
	DT35	p. 12					
	DT500				p. 64		
	DX50				p. 62		
	ELG		p. 49 / p. 50				
	G6		p. 28 / p. 29			p. 68	
	HLG		p. 49 / p. 50				
	ISD230				p. 64		
	ISD260				p. 64		
	ISD280				p. 64		
	ISD400				p. 63 / p. 65		
	KT1M	p. 15	p. 45		p. 57 / p. 58 / p. 59		
	KT2	p. 11 / p. 12 / p. 13	p. 33 / p. 34		p. 55		
	KT3	p. 17	p. 33				
	KT5-2/KT8	p. 17					
	LUT2-(2)	p. 17	p. 33				
	LUT3	p. 17					
	MH15(V)	p. 15	p. 45		p. 57 / p. 58 / p. 59		
	MLG		p. 49 / p. 50				
	PLG				p. 60 / p. 61		
	V12-(2)	p. 14	p. 44		p. 57		
	V18/V180-2	p. 15	p. 45		p. 57 / p. 59		
	W11-2/W12-3	p. 11 / p. 12 / p. 13 / p. 18	p. 33 / p. 34			p. 69	
	W14-2/W18-3	p. 12 / p. 13 / p. 18 / p. 19	p. 34 / p. 35			p. 69 / p. 70	
	W140-2	p. 17	p. 29 / p. 30				
	W15	p. 15					
	W150	p. 17	p. 30 / p. 31				
	W160	p. 11	p. 31				
	W170	p. 17	p. 32				
	W190		p. 32				
	W23-2	p. 13 / p. 19	p. 36 / p. 40			p. 70 / p. 72	
	W24-2	p. 12 / p. 13 / p. 19	p. 37			p. 70 / p. 71 / p. 72	
	W25			p. 54			p. 92
	W250	p. 11	p. 38				
	W260	p. 13 / p. 19	p. 38			p. 72	
	W27-3	p. 13 / p. 19	p. 36 / p. 40			p. 70 / p. 72	
	W280	p. 13	p. 39				
	W2S		p. 26 / p. 27			p. 68	
	W30/W32/W36	p. 13	p. 41				
	W34	p. 13 / p. 19	p. 37 / p. 41			p. 71 / p. 72	
	W4(S)-3 (INOX)	p. 11 / p. 14 / p. 17	p. 27 / p. 28		p. 54		
	W45		p. 42		p. 56	p. 73	p. 92
	W8 Inox		p. 28 / p. 29				
	W8/W100	p. 17	p. 28 / p. 29			p. 68	
	W9-2		p. 33				
	W9-3	p. 17					
	W9-M4	p. 11	p. 31				
	W130L				p. 56		
	WLG12		p. 49				
	WLL170-2		p. 42		p. 56		
	WLL190-2		p. 42		p. 56		
WS/WE100						p. 87 / p. 90	
WS/WE140-2						p. 86 / p. 91	
WS/WE150						p. 86	
WS/WE160						p. 87 / p. 88	
WS/WE170						p. 88 / p. 91	
WS/WE260						p. 90	
WS/WE8						p. 90	
WS/WE9-2						p. 89	
WSE 11-2						p. 89	
WSE 12-3						p. 89	
WTR		p. 46 / p. 47					
<b>Magnetic Cylinder Sensors</b>	MPS					p. 76 / p. 77 / p. 78	
	MZ2Q-C					p. 79	
	MZ2Q-T					p. 78	
	MZN1					p. 79	
	MZR1					p. 80	
	MZR2					p. 83	
	MZT1					p. 76 / p. 77 / p. 78	
	MZT6/RZT6					p. 76 / p. 77 / p. 78	
	MZT8					p. 76 / p. 77 / p. 78	
	MZU2					p. 81 / p. 82 / p. 83	
RZN1					p. 79		
RZT1					p. 76 / p. 77 / p. 78		
<b>Ultrasonic Sensors</b>	UC12	p. 11 / p. 12 / p. 13	p. 33 / p. 34	p. 55			
	UC4	p. 14	p. 27 / p. 28	p. 54			
	UM18	p. 15	p. 45	p. 57 / p. 59			
	UM30	p. 16	p. 46				
<b>Reflectors</b>	C110A	p. 16	p. 26				
	P250	p. 11 / p. 12 / p. 13 / p. 16	p. 26				
	PL20A	p. 12 / p. 13 / p. 16	p. 26				
	PL30A	p. 12	p. 26				
	PL40A	p. 12 / p. 13 / p. 16	p. 26				
	PL50A	p. 12 / p. 13 / p. 16	p. 26				
PL80A	p. 12 / p. 13	p. 26					
<b>Magnetic Sensors</b>	MM08		p. 43	p. 58			
	MM12	p. 14	p. 44	p. 57			
	MM18	p. 15	p. 45	p. 57 / p. 59			
<b>Inductive Proximity Sensors</b>	IM08		p. 43	p. 58			
	IM12	p. 14	p. 44	p. 57			
	IM18	p. 15	p. 45	p. 57 / p. 59			
	IM30	p. 16	p. 46				
	IME08			p. 58			
	IME12	p. 14		p. 57			
	IME18	p. 15		p. 57			
	IMF12	p. 14					
IMF18	p. 15						
<b>Capacitive Sensors</b>	CM18	p. 15	p. 45	p. 57 / p. 59			
	CM30	p. 16	p. 46	p. 60			

# Adjustable, flexible, and universal

## UNIVERSAL BAR CLAMP SYSTEMS

for rectangular/cylindrical sensors and reflectors



page 8

**The most flexible solution** where sensors need to be fixed by means of a bar. Universal bar clamp systems offer secure fixing and variable alignment options.

## MOUNTING BRACKETS

for rectangular/cylindrical sensors and light grids



page 24

**The versatile alternative** for all types of sensors and light grids. Floor or wall mounted, articulated arm or rotary bracket: mounting accessories from SICK solve almost any problem.

## CLAMPING AND ALIGNMENT BRACKETS

for rectangular/cylindrical sensors



page 52

**Flexible alignment, quick mounting**, thanks to ball joints, spring bearings and clever fixing components, SICK sensors are always adjusted quickly, accurately and safely.

## PROTECTIVE DEVICES

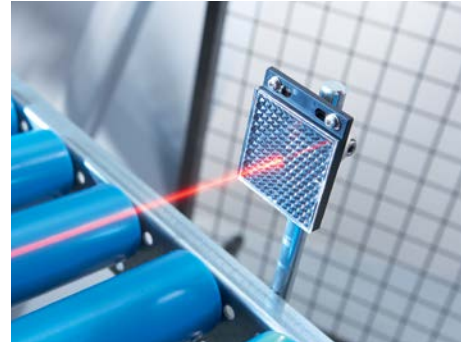
for rectangular sensors



page 66

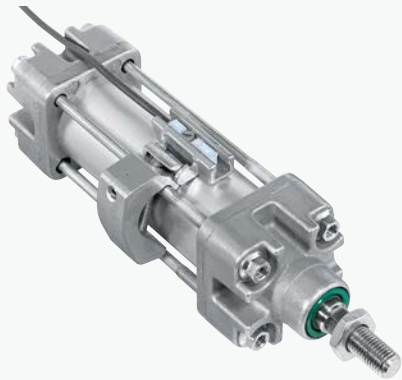
SICK protective devices ensure the highest level of protection for optical sensors **in adverse conditions**. Protective housings with metal flex tubes, dust shields with air purging and weather protection hoods protect SICK sensors from aggressive environments and mechanical damage.





## MOUNTINGS FOR CYLINDER SENSORS

page 74



SICK's brackets for cylinder sensors ensure **perfect interaction** between sensor and lifting cylinder. Whether roundbody cylinder, profile cylinder or tie rod cylinder – SICK offers all the necessary mounting accessories, from the clamp all the way to the tension strap.

## SPECIAL ACCESSORIES

for rectangular sensors

page 84



**Masks, cooling plates and polarization filters** support SICK sensors in critical applications and thus make a significant contribution to reducing machine downtime.



Getting a firm hold and keep the elements out –  
mounting and protection for SICK sensors





## Perfect sensor integration made easy

Innovative sensor technology is just one aspect of an intelligent automation solution. To be complete, the solution also needs suitable accessories that ensure reliable and cost-effective integration. Only by using the right integration products is it possible to optimize the effectiveness and performance offered by any application solution. Sensors and mounting systems are perfectly matched. This ensures the highest level of operational safety, while also saving the user development,

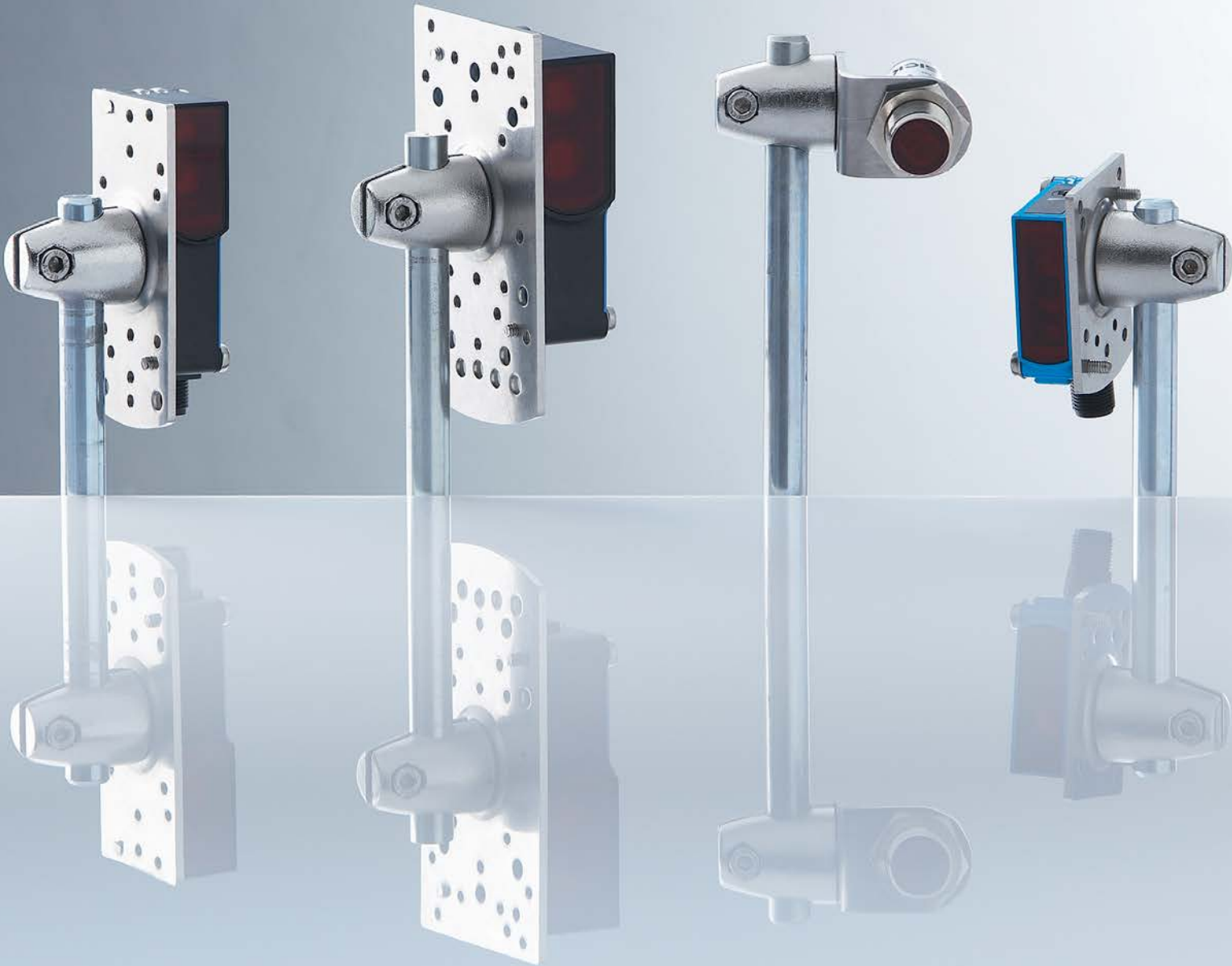
manufacture and procurement costs. Since most of our mounting components are always available on short-notice, we can offer you a convenient, single-source supply of all the parts and accessories you need for your sensor system. If you require a customized solution, then that's also no problem – customer-specific developments and adaptations can be realized very quickly.

## Flexible solutions for any application

The mounting is the interface between the sensor system and the many different application requirements. Installing the sensor on the mounting system should also be safe, easy and convenient. Mounting solutions by SICK – the solution for reliable sensor integration.

# SENSOR TECHNOLOGY AND MOUNTING SYSTEMS

**Universal bar clamp systems for mounting sensors  
with maximum adjustability and functionality**







**Integration of SICK sensor solutions is more flexible than ever before with the SICK universal bar clamp system! The large selection of sensor mounting plates, together with various mounting rods, offers maximum adjustability, secure fixing and universal alignment options for almost any application. At SICK, you'll find everything you need!**

Universal bar clamp systems

mounting brackets

Clamping and alignment brackets

protective devices

Mountings for cylinder sensors

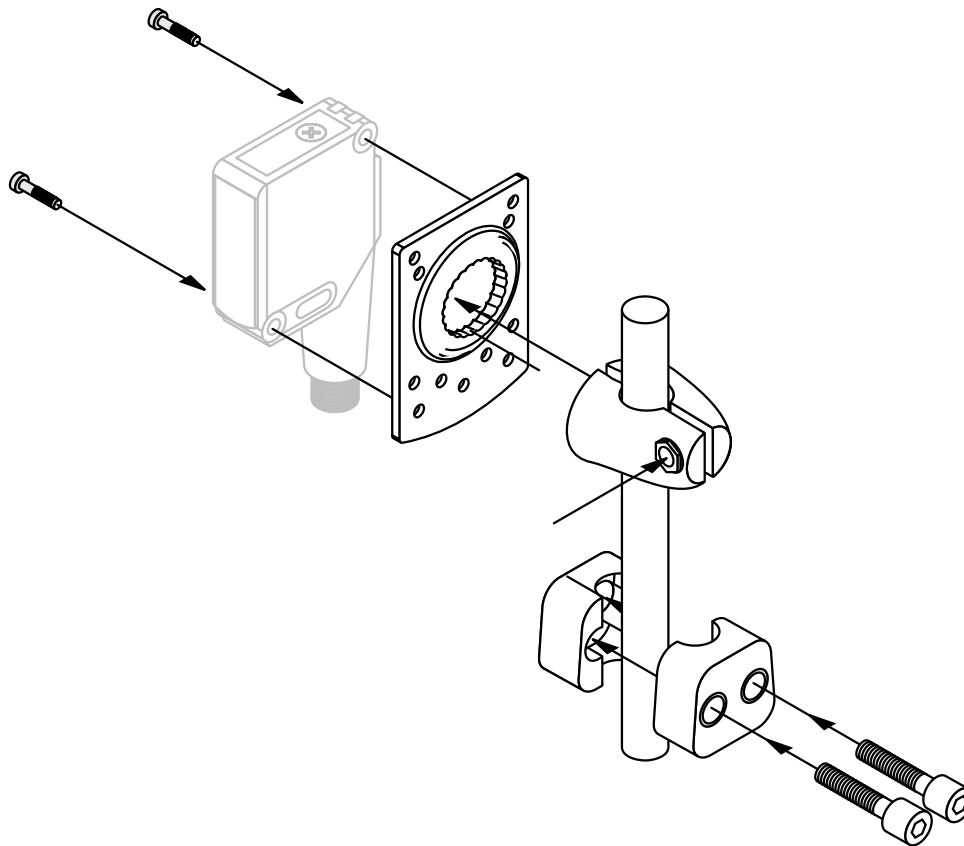
Special accessories

# SICK

## UNIVERSAL BAR CLAMP SYSTEMS



## Function principle

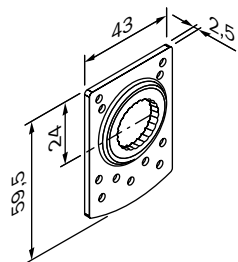




## BEF-KHS-N02(N)

Plate N02(N)  
for universal clamp

Dimensional drawing



All dimensions in mm

### Technical data

<b>Material</b>	see order informations
<b>Delivery</b>	incl. universal bar clamp and mounting material

### Order informations

Type	Order no.
BEF-KHS-N02 <sup>1)</sup>	2051608
BEF-KHS-N02N <sup>2)</sup>	2051618

<sup>1)</sup> Plate: Steel, galvanised;  
Clamps: zinc, die-cast

<sup>2)</sup> Plate: Stainless steel (1.4571)  
Clamps: Stainless steel (1.4408)

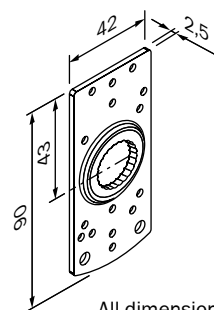
W4S-3 INOX	W9-M4	W11-2	W12-3	W160	W250	P250	UC12
KT2	DT2						

Universal bar clamp systems  
 mounting brackets  
 Clamping and alignment brackets  
 protective devices  
 Mountings for cylinder sensors  
 Special accessories



**BEF-KHS-N03(N)**  
 Plate N03(N)  
 for Universal bar clamp systems

Dimensional drawing



All dimensions in mm

### Technical data

<b>Material</b>	see order informations
<b>Delivery</b>	incl. universal bar clamp and mounting material

### Order informations

<b>Type</b>	<b>Order no.</b>
BEF-KHS-N03 <sup>1)</sup>	2051609
BEF-KHS-N03N <sup>2)</sup>	2051619

<sup>1)</sup> Plate: Steel, galvanised;  
 Clamps: zinc, die-cast

<sup>2)</sup> Plate: Stainless steel (1.4571)  
 Clamps: Stainless steel (1.4408)

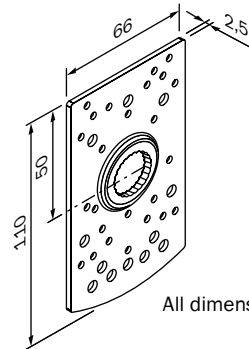
<b>W11-2</b>	<b>W12-3</b>	<b>W14-2</b>	<b>W18-3</b>	<b>W24-2</b>	<b>UC12</b>	<b>KT2</b>	<b>DT2</b>
<b>DT10</b>	<b>DT35</b>	<b>PL20A</b>	<b>PL30A</b>	<b>PL40A</b>	<b>PL50A</b>	<b>PL80A</b>	<b>P250</b>



## BEF-KHS-N04(N)

Plate N04(N)  
for universal clamp

Dimensional drawing



All dimensions in mm

### Technical data

<b>Material</b>	see order informations
<b>Delivery</b>	incl. universal bar clamp and mounting material

### Order informations

Type	Order no.
BEF-KHS-N04 <sup>1)</sup>	2051610
BEF-KHS-N04N <sup>2)</sup>	2051620

<sup>1)</sup> Plate: Steel, galvanised;  
Clamps: zinc, die-cast

<sup>2)</sup> Plate: Stainless steel (1.4571)  
Clamps: Stainless steel (1.4408)

W11-2	W12-3	W14-2	W18-3	W23-2	W24-2	W27-3	W260
W280	W30	W32	W34	W36	PL20A	PL40A	PL50A
PL80A	P250	UC12	KT2	DT2	DT10	DS30	DS40
DT50/D550/DL50	DT60/D560/DL60						

Universal bar clamp systems

mounting brackets

Clamping and alignment brackets

protective devices

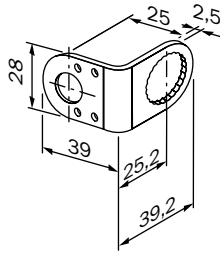
Mountings for cylinder sensors

Special accessories



**BEF-KHS-N05(N)**  
Plate N05(N)  
for Universal bar clamp systems

Dimensional drawing



All dimensions in mm

### Technical data

<b>Material</b>	see order informations
<b>Delivery</b>	incl. universal bar clamp and mounting material

### Order informations

Type	Order no.
BEF-KHS-N05 <sup>1)</sup>	2051611
BEF-KHS-N05N <sup>2)</sup>	2051621

<sup>1)</sup> Plate: Steel, galvanised;  
Clamps: zinc, die-cast

<sup>2)</sup> Plate: Stainless steel (1.4571)  
Clamps: Stainless steel (1.4408)

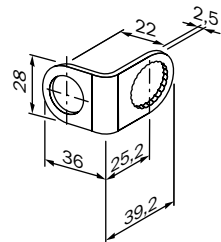
W4-3	V12-2	IM12	IME12	IMF12	MM12	UC4





**BEF-KHS-N06(N)**  
 Plate N06(N)  
 for Universal bar clamp systems

Dimensional drawing



All dimensions in mm

### Technical data

<b>Material</b>	see order informations
<b>Delivery</b>	incl. universal bar clamp and mounting material

### Order informations

Type	Order no.
BEF-KHS-N06 <sup>1)</sup>	2051612
BEF-KHS-N06N <sup>2)</sup>	2051622

<sup>1)</sup> Plate: Steel, galvanised;  
 Clamps: zinc, die-cast

<sup>2)</sup> Plate: Stainless steel (1.4571)  
 Clamps: Stainless steel (1.4408)

W15	MH15	V18	V180-2	IM18	IME18	IMF18	MM18
CM18	UM18	KT1M					

Universal bar clamp systems

mounting brackets

Clamping and alignment brackets

protective devices

Mountings for cylinder sensors

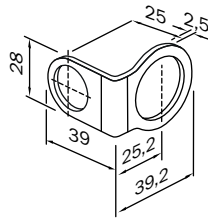
Special accessories

Universal bar clamp systems



**BEF-KHS-N10(N)**  
Plate N10(N)  
for Universal bar clamp systems

Dimensional drawing



All dimensions in mm

### Technical data

<b>Material</b>	see order informations
<b>Delivery</b>	incl. universal bar clamp and mounting material

### Order informations

<b>Type</b>	<b>Order no.</b>
BEF-KHS-N10 <sup>1)</sup>	2062372
BEF-KHS-N10N <sup>2)</sup>	2062373

<sup>1)</sup> Plate: Steel, galvanised;  
Clamps: zinc, die-cast

<sup>2)</sup> Plate: Stainless steel (1.4571)  
Clamps: Stainless steel (1.4408)

mounting brackets

Clamping and alignment brackets

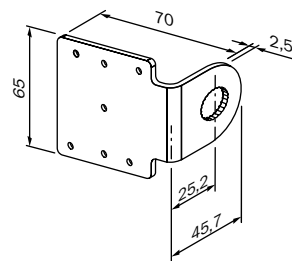


protective devices



**BEF-KHS-N07(N)**  
Plate N07(N)  
for Universal bar clamp systems

Dimensional drawing



All dimensions in mm

### Technical data

<b>Material</b>	see order informations
<b>Delivery</b>	incl. universal bar clamp and mounting material

### Order informations

<b>Type</b>	<b>Order no.</b>
BEF-KHS-N07 <sup>1)</sup>	2051613
BEF-KHS-N07N <sup>2)</sup>	2051623

<sup>1)</sup> Plate: Steel, galvanised;  
Clamps: zinc, die-cast

<sup>2)</sup> Plate: Stainless steel (1.4571)  
Clamps: Stainless steel (1.4408)

Mountings for cylinder sensors

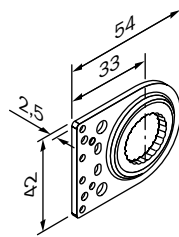
Special accessories





**BEF-KHS-N08(N)**  
Plate N08(N)  
for Universal bar clamp systems

Dimensional drawing



All dimensions in mm

### Technical data

<b>Material</b>	see order informations
<b>Delivery</b>	Incl. universal bar clamp and mounting material

### Order informations

Type	Order no.
BEF-KHS-N08 <sup>1)</sup>	2051607
BEF-KHS-N08N <sup>2)</sup>	2051616

<sup>1)</sup> Plate: Steel, galvanised;  
Clamps: zinc, die-cast

<sup>2)</sup> Plate: Stainless steel (1.4571)  
Clamps: Stainless steel (1.4408)

W4-3	W4S-3	W8	W100	W140-2	W150	W170	W9-3
KT3	KT5-2	KT8/KT10-2	CS8	CSL1	LUT2-2	LUT3/LUT8/LUT9	CSM1

Universal bar clamp systems

mounting brackets

Clamping and alignment brackets

protective devices

Mountings for cylinder sensors

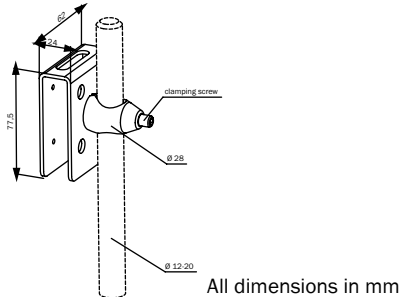
Special accessories

Universal bar clamp systems



**BEF-SG-W12-3**  
Protection hood  
for Universal bar clamp systems

Dimensional drawing



### Technical data

Material	
Protection hood	Steel, galvanised
Clamps	zinc, die-cast
Delivery	incl. universal bar clamp and mounting material

### Order informations

Type	Order no.
BEF-SG-W12-3	2045175

mounting brackets



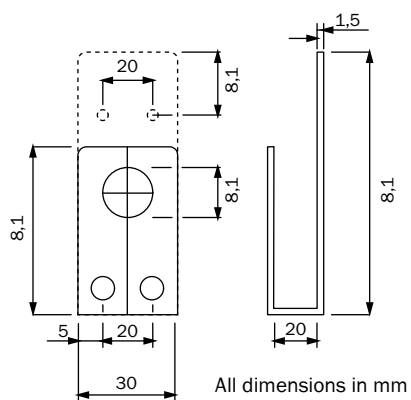
Clamping and alignment brackets

protective devices



**BEF-SG-W14**  
Protection hood  
for Universal bar clamp systems

Dimensional drawing



### Technical data

Material	
Protection hood	Steel, galvanised
Clamps	zinc, die-cast
Delivery	incl. universal bar clamp and mounting material

### Order informations

Type	Order no.
BEF-SG-W14	2058124

Mountings for cylinder sensors



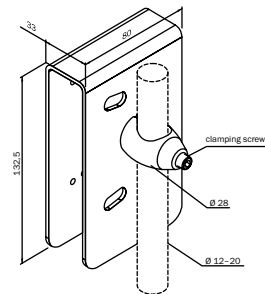
Special accessories



## BEF-SG-W27

Protection hood  
for Universal bar clamp systems

### Dimensional drawing



All dimensions in mm

### Technical data

Material	Steel, galvanised
Protection hood	Steel, galvanised
Clamps	zinc, die-cast
Delivery	incl. universal bar clamp and mounting material

### Order informations

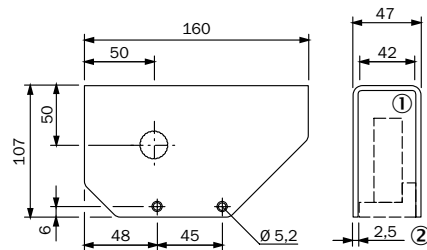
Type	Order no.
BEF-SG-W27	2039601



## OBW-KHS-M01

Weather protection hood  
for Universal bar clamp systems

### Dimensional drawing



All dimensions in mm

- ① Sensor
- ② Base holder with mounting material included with delivery

### Technical data

Material	Steel, galvanised
Delivery	incl. mounting material

### Order informations

Type	Order no.
OBW-KHS-M01	2023240



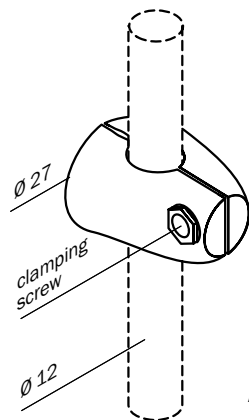




## BEF-KHS-KH3(N)

Universal bar clamp systems

### Dimensional drawing



### Technical data

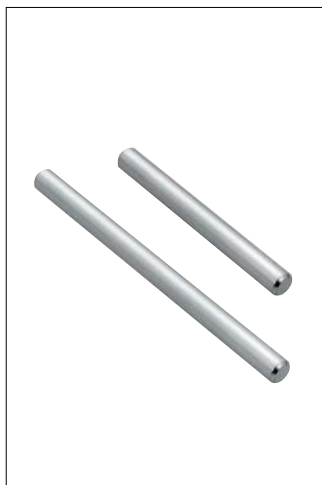
Material	see order informations
Delivery	incl. clamping screw

### Order informations

Type	Order no.
BEF-KHS-KH3 <sup>1)</sup>	5322626
BEF-KHS-KH3N <sup>2)</sup>	5322627

<sup>1)</sup> zinc, die-cast

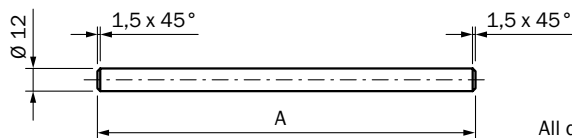
<sup>2)</sup> Stainless steel (1.4408)



## BEF-MS12G-(N)x

mounting rod straight

### Dimensional drawing



### Technical data

Material	see order informations
----------	------------------------

### Order informations

Type	Order no.	Maß A
BEF-MS12G-A <sup>1)</sup>	4056054	200 mm
BEF-MS12G-NA <sup>2)</sup>	4058914	200 mm
BEF-MS12G-B <sup>1)</sup>	4056055	300 mm
BEF-MS12G-NB <sup>2)</sup>	4058915	300 mm

<sup>1)</sup> Steel, galvanised

<sup>2)</sup> Stainless steel (1.4571)

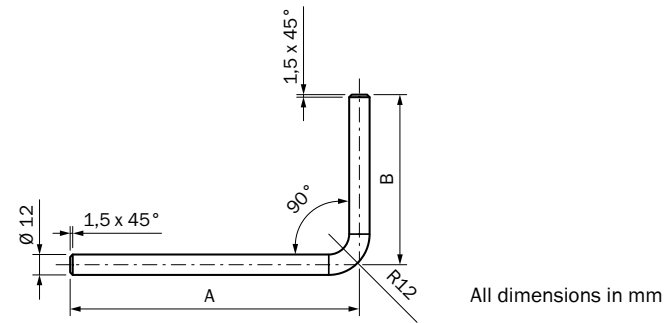


**BEF-MS12L-(N)x**  
mounting rod L-shaped

**Technical data**

Material	see order informations
----------	------------------------

Dimensional drawing

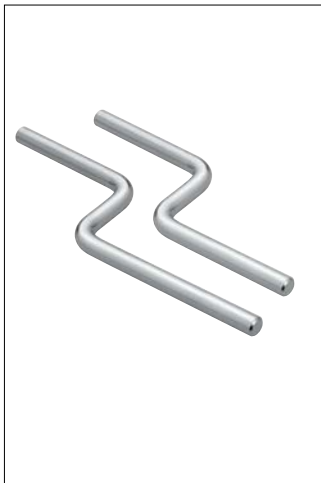


**Order informations**

Type	Order no.	Maß A	Maß B
BEF-MS12L-A <sup>1)</sup>	4056052	150 mm	150 mm
BEF-MS12L-NA <sup>2)</sup>	4058912	150 mm	150 mm
BEF-MS12L-B <sup>1)</sup>	4056053	250 mm	250 mm
BEF-MS12L-NB <sup>2)</sup>	4058913	250 mm	250 mm

<sup>1)</sup> Steel, galvanised

<sup>2)</sup> Stainless steel (1.4571)

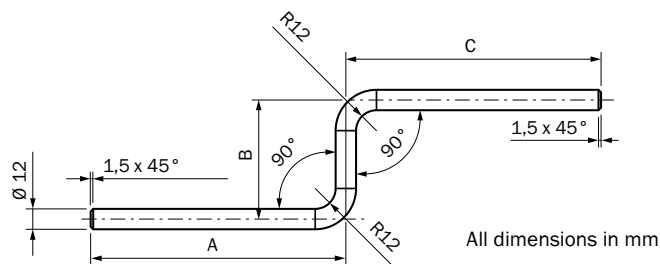


**BEF-MS12Z-(N)x**  
mounting rod Z-shaped

**Technical data**

Material	see order informations
----------	------------------------

Dimensional drawing



**Order informations**

Type	Order no.	Maß A	Maß B	Maß C
BEF-MS12Z-A <sup>1)</sup>	4056056	150 mm	70 mm	150 mm
BEF-MS12Z-NA <sup>2)</sup>	4058916	150 mm	70 mm	150 mm
BEF-MS12Z-B <sup>1)</sup>	4056057	150 mm	70 mm	250 mm
BEF-MS12Z-NB <sup>2)</sup>	4058917	150 mm	70 mm	250 mm

<sup>1)</sup> Steel, galvanised

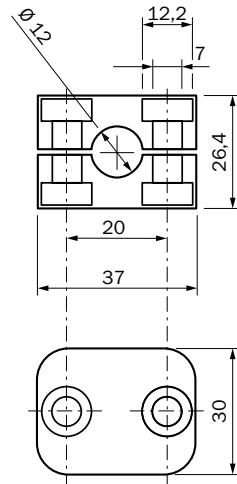
<sup>2)</sup> Stainless steel (1.4571)



## BEF-RMC-D12

Rod mounting clamp

Dimensional drawing



All dimensions in mm

## Technical data

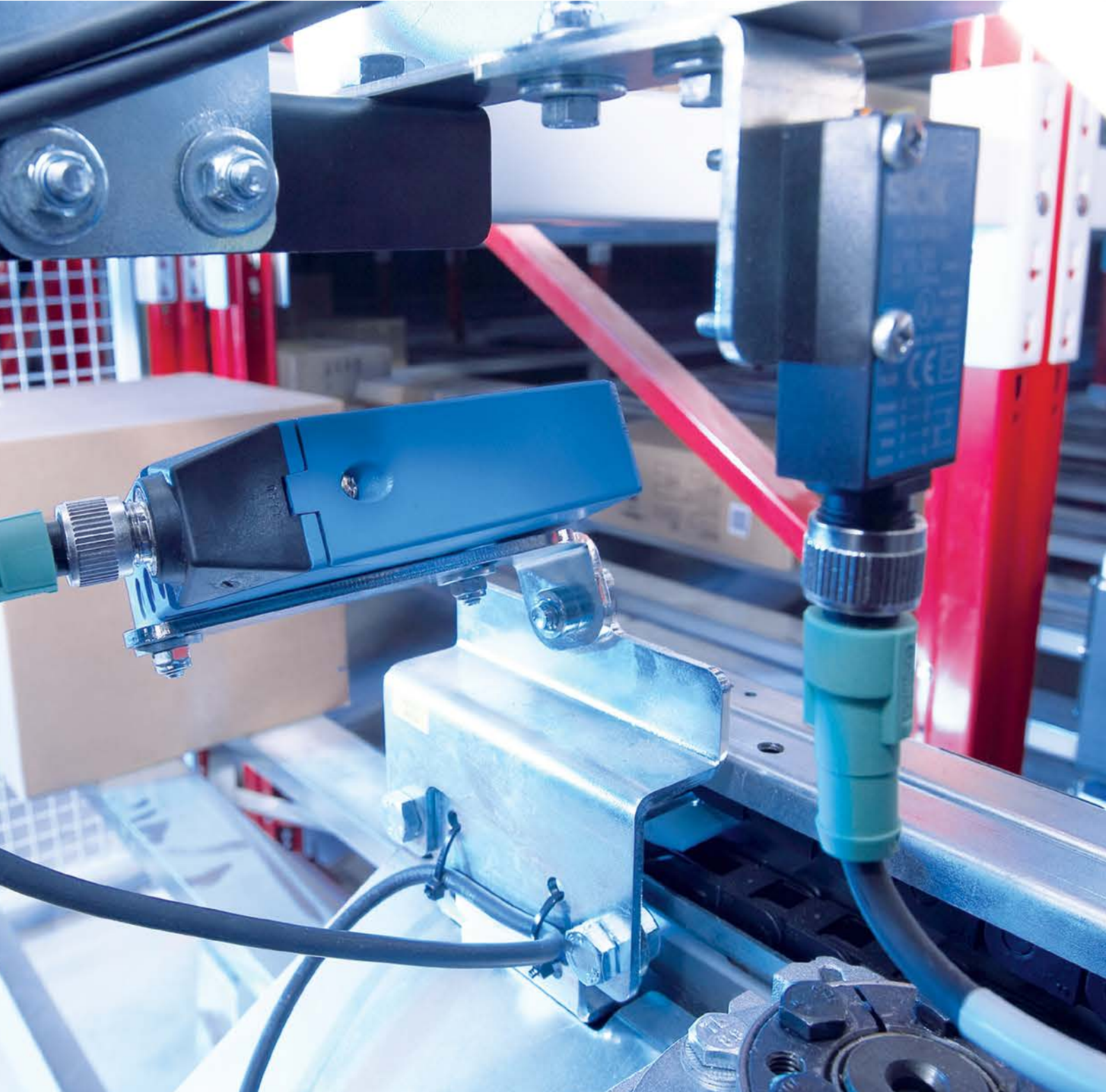
Material	
Rod	Aluminium
screws, spring washers	Steel, zinc/nickel-plated
Delivery	
	2 x screws M6x30, 2 x spring washers

## Order informations

Type	Order no.
BEF-RMC-D12	5321878



Mounting brackets – the versatile alternative







**SICK mounting brackets offer reliable quality and intelligent details – for every SICK sensor. Easy mounting and high functionality ensure short downtimes for machine changeovers and fast commissioning of industrial installations.**

**For rectangular sensors from page 25**

**For cylindrical sensors from page 42**

**For light grids and distance sensors from page 46**

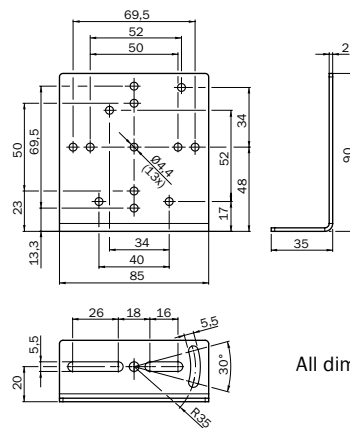
# SICK MOUNTING BRACKETS



## BEF-WN-REFX

Universal mounting bracket for reflectors

### Dimensional drawing



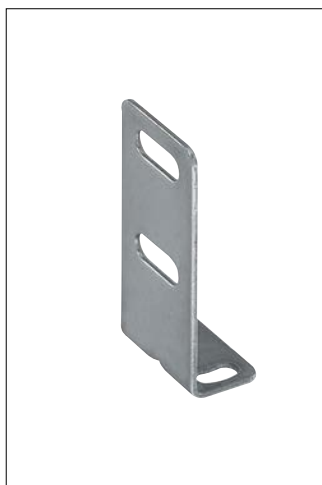
All dimensions in mm

### Technical data

Material	Steel, galvanised
----------	-------------------

### Order informations

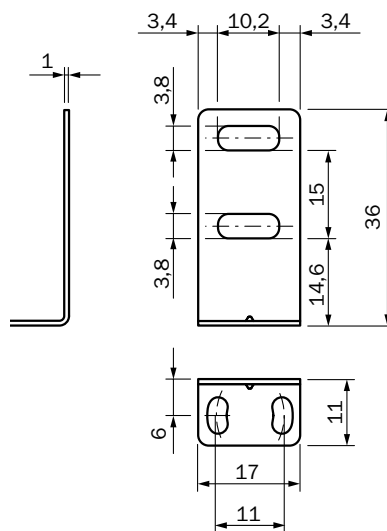
Type	Order no.
BEF-WN-REFX	2064574



## BEF-W2S-A

Mounting bracket for floor mounting

### Dimensional drawing



All dimensions in mm

### Technical data

Material	Stainless steel (1.4305)
----------	--------------------------

### Order informations

Type	Order no.
BEF-W2S-A	4034748

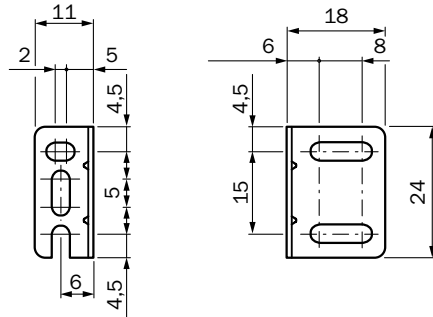




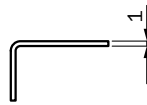
## BEF-W2S-B

Mounting bracket for wall mounting

Dimensional drawing



All dimensions in mm



### Technical data

Material	Stainless steel (1.4305)
----------	--------------------------

### Order informations

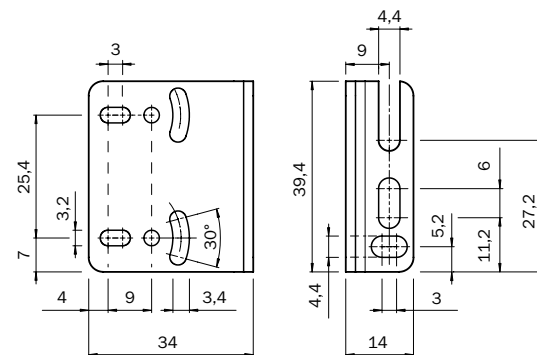
Type	Order no.
BEF-W2S-B	4034749



## BEF-W4-A

Mounting bracket for wall mounting

Dimensional drawing



All dimensions in mm



### Technical data

Material	Stainless steel (1.4305)
----------	--------------------------

### Order informations

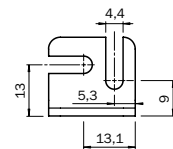
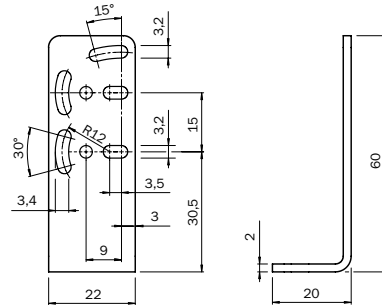
Type	Order no.
BEF-W4-A	2051628





**BEF-W4-B**  
Mounting bracket for wall mounting

Dimensional drawing



All dimensions in mm

**Technical data**

<b>Material</b>	Stainless steel (1.4305)
-----------------	--------------------------

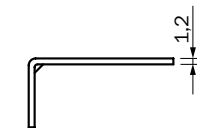
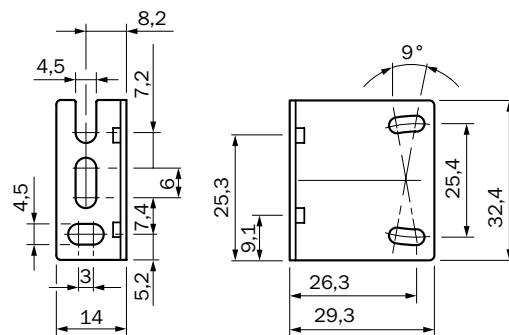
**Order informations**

<b>Type</b>	<b>Order no.</b>
BEF-W4-B	2051630



**BEF-W100-A**  
Mounting bracket for wall mounting

Dimensional drawing



All dimensions in mm



**Technical data**

<b>Material</b>	Stainless steel (1.4305)
-----------------	--------------------------

<b>Delivery</b>	incl. mounting material
-----------------	-------------------------

**Order informations**

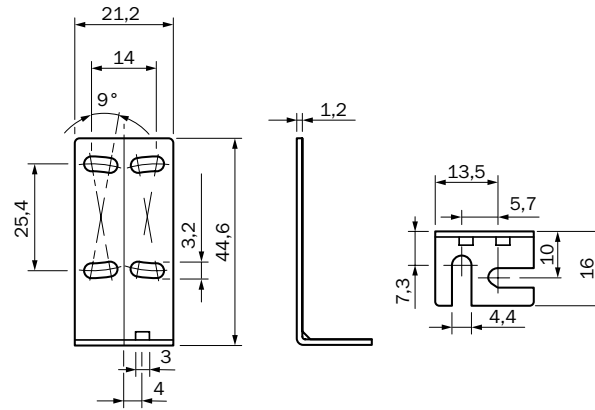
<b>Type</b>	<b>Order no.</b>
BEF-W100-A	5311520



## BEF-W100-B

Mounting bracket for floor mounting

Dimensional drawing



### Technical data

Material	Stainless steel (1.4305)
Delivery	incl. mounting material

### Order information

Type	Order no.
BEF-W100-B	5311521

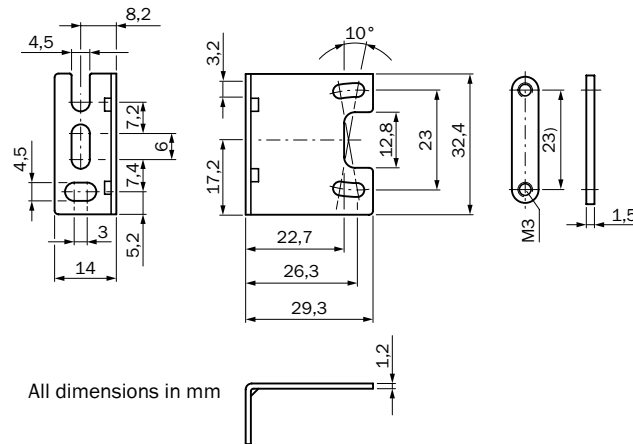
All dimensions in mm



## BEF-W140A

Mounting bracket for wall mounting

Dimensional drawing



All dimensions in mm

### Technical data

Material	Stainless steel (1.4305)
Delivery	incl. mounting material

### Order information

Type	Order no.
BEF-W140A	5308098

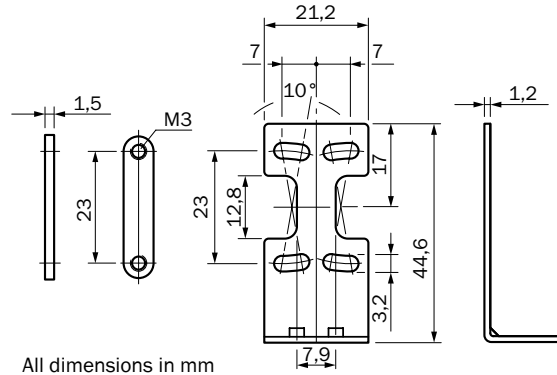




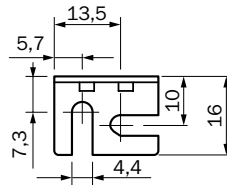
## BEF-W140-B

Mounting bracket for floor mounting

Dimensional drawing



All dimensions in mm



W140-2

### Technical data

Material	Stainless steel (1.4305)
Delivery	incl. mounting material

### Order informations

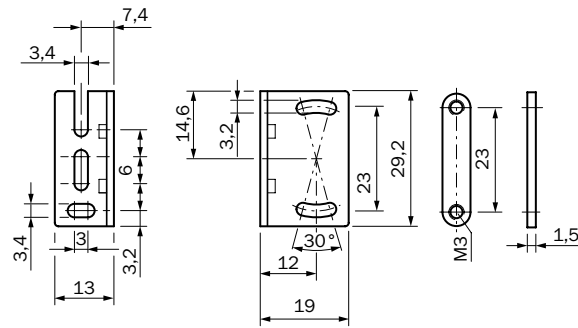
Type	Order no.
BEF-W140-B	5308519



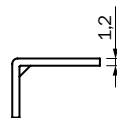
## BEF-W150-A

Mounting bracket for wall mounting

Dimensional drawing



All dimensions in mm



W150

### Technical data

Material	Stainless steel (1.4305)
Delivery	incl. mounting material

### Order informations

Type	Order no.
BEF-W150-A	5306217

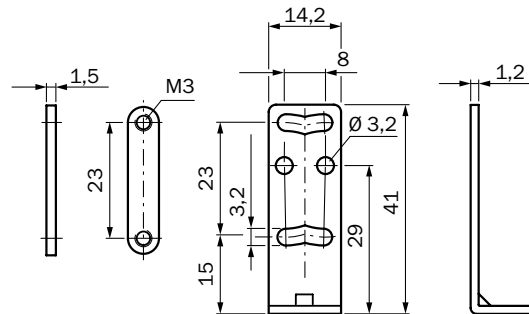




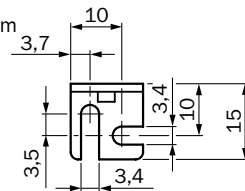
## BEF-W150-B

Mounting bracket for floor mounting

Dimensional drawing



All dimensions in mm



### Technical data

Material	Stainless steel (1.4305)
Delivery	incl. mounting material

### Order information

Type	Order no.
BEF-W150-B	5306279

Universal bar clamp systems

mounting brackets

Clamping and alignment brackets

protective devices

Mountings for cylinder sensors

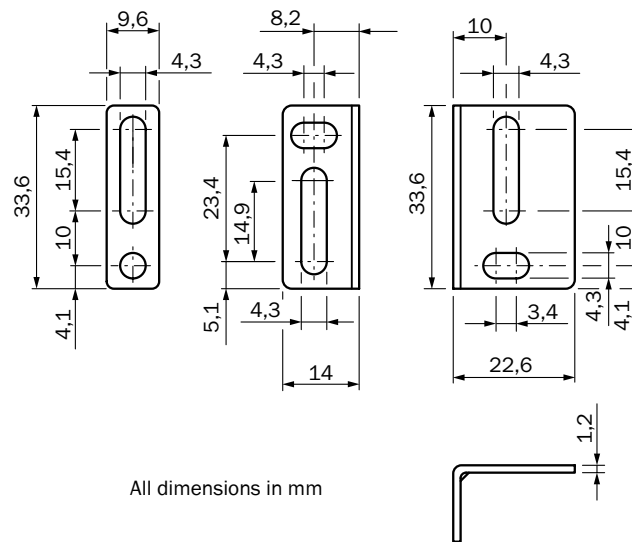
Special accessories



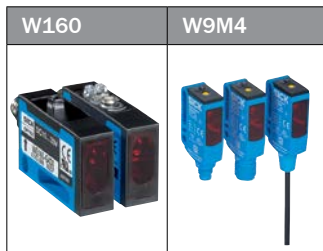
## BEF-W160

Mounting bracket for wall mounting

Dimensional drawing



All dimensions in mm

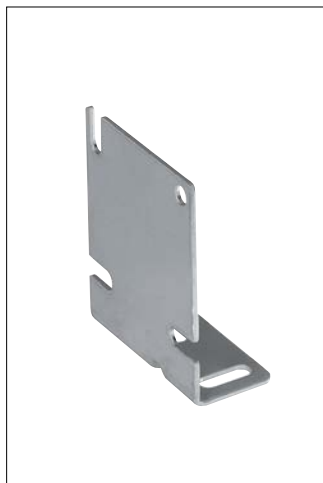


### Technical data

Material	Stainless steel (1.4305)
Delivery	incl. mounting material

### Order information

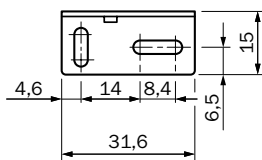
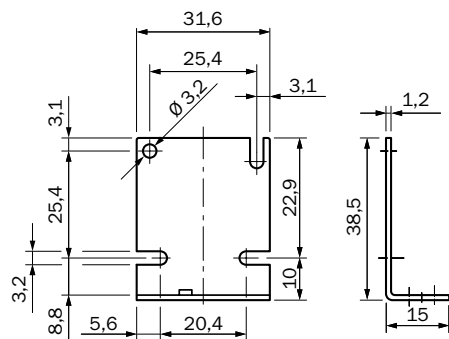
Type	Order no.
BEF-W160	5305197



## BEF-W170

Mounting brackets

### Dimensional drawing



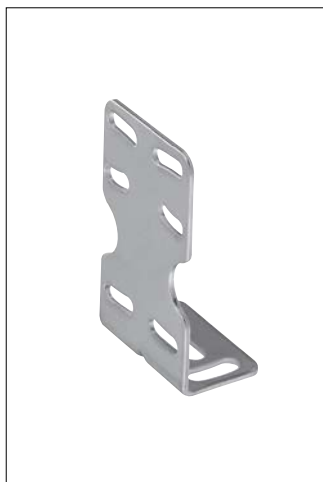
All dimensions in mm

### Technical data

Material	Stainless steel (1.4305)
Delivery	incl. mounting material

### Order informations

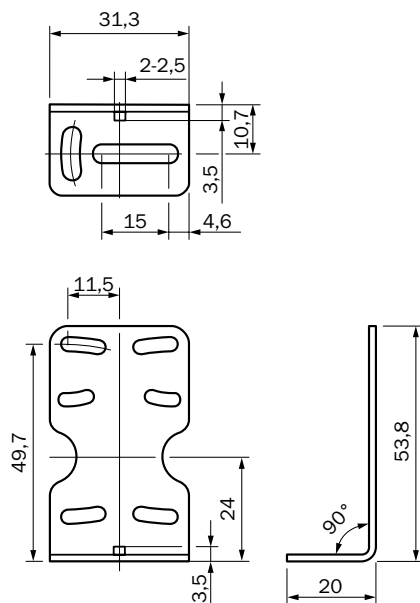
Type	Order no.
BEF-W170	5305686



## BEF-W190

Mounting brackets

### Dimensional drawing



All dimensions in mm

### Technical data

Material	Stainless steel (1.4305)
Delivery	incl. mounting material

### Order informations

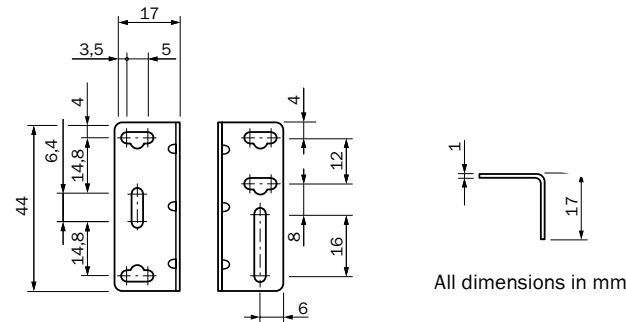
Type	Order no.
BEF-W190	5311362



## BEF-WN-W9-2

Mounting bracket for wall mounting

Dimensional drawing



All dimensions in mm

### Technical data

Material	Steel, galvanised
Delivery	incl. mounting material

### Order information

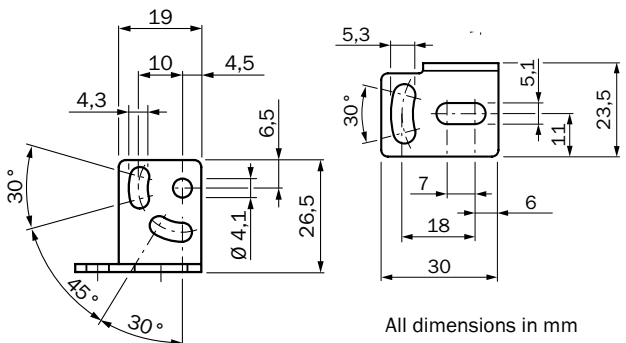
Type	Order no.
BEF-WN-W9-2	2022855



## BEF-WK-W12

Mounting brackets small

Dimensional drawing



All dimensions in mm

### Technical data

Material	Stainless steel (1.4301)
Delivery	incl. mounting material

### Order information

Type	Order no.
BEF-WK-W12	2012938

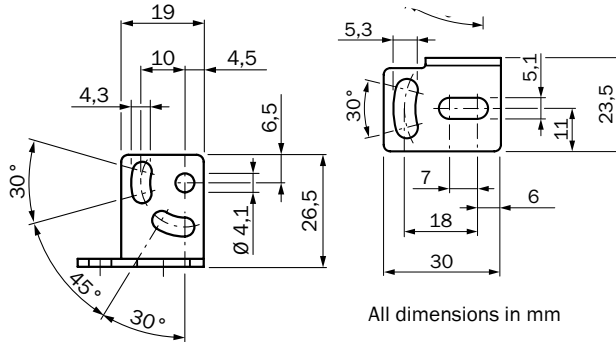




## BEF-WG-W12

Mounting brackets large

Dimensional drawing



### Technical data

Material	Stainless steel (1.4301)
Delivery	incl. mounting material

### Order informations

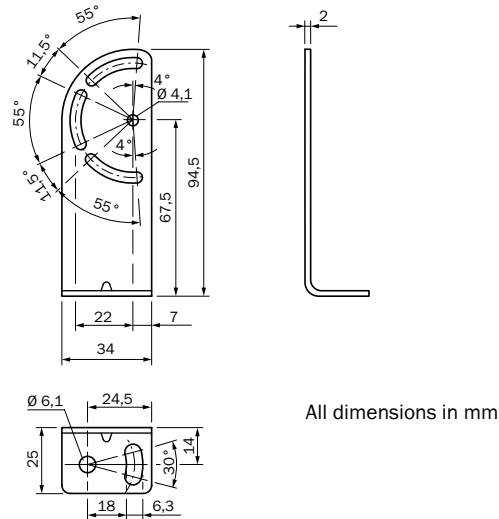
Type	Order no.
BEF-WG-W12	2013942



## BEF-WN-W14

Mounting brackets

Dimensional drawing



### Technical data

Material	Steel, galvanised
Delivery	incl. mounting material

### Order informations

Type	Order no.
BEF-WN-W14	2019084

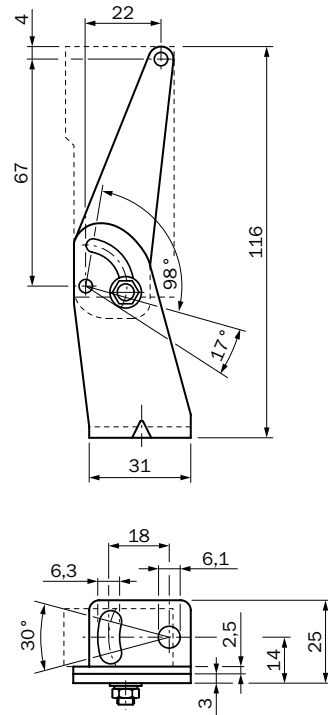




## BEF-WN-W18

Mounting bracket with articulated arm

Dimensional drawing



All dimensions in mm

### Technical data

Material	Steel, galvanised
Delivery	incl. mounting material

### Order informations

Type	Order no.
BEF-WN-W18	2009317

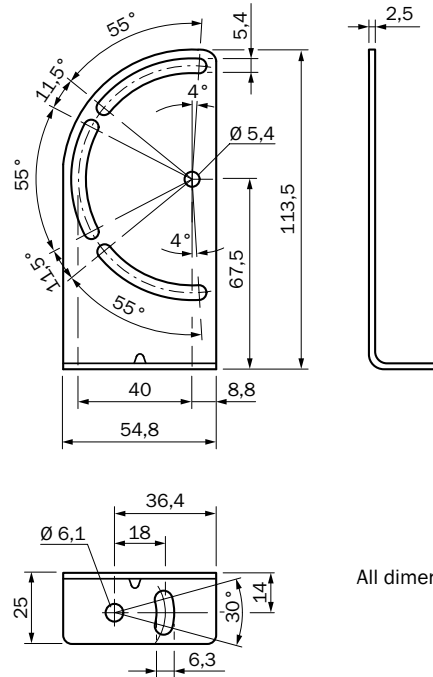




## BEF-WN-W23

Mounting brackets

### Dimensional drawing



All dimensions in mm

### Technical data

<b>Material</b>	Steel, galvanised
<b>Delivery</b>	incl. mounting material

### Order informations

<b>Type</b>	<b>Order no.</b>
BEF-WN-W23	2019085

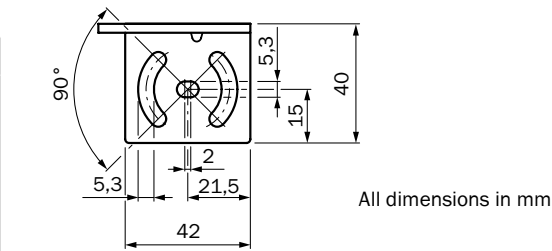
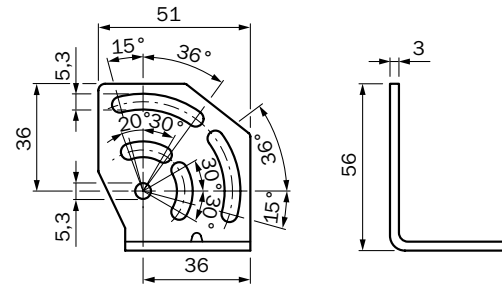






**BEF-WK-W24**  
Mounting brackets

Dimensional drawing



**Technical data**

<b>Material</b>	Stainless steel (1.4301)
<b>Delivery</b>	incl. mounting material

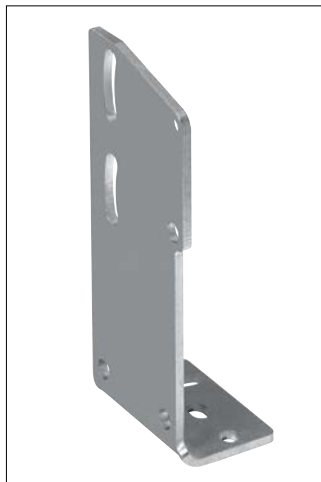
**Order informations**

<b>Type</b>	<b>Order no.</b>
BEF-WK-W24	4027532

Universal bar clamp systems

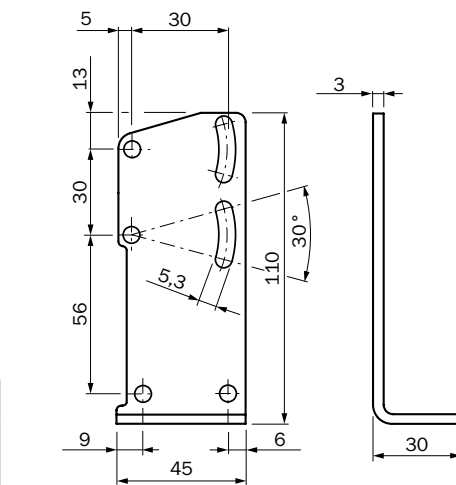
mounting brackets

Clamping and alignment brackets



**BEF-WN-W24**  
Mounting brackets

Dimensional drawing



**Technical data**

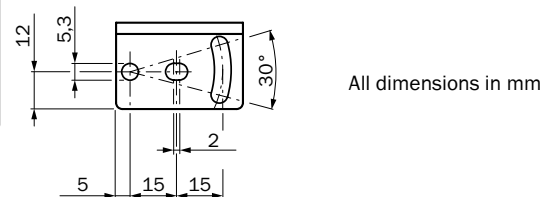
<b>Material</b>	Stainless steel (1.4301)
<b>Delivery</b>	incl. mounting material

**Order informations**

<b>Type</b>	<b>Order no.</b>
BEF-WN-W24	2015248

protective devices

Mountings for cylinder sensors



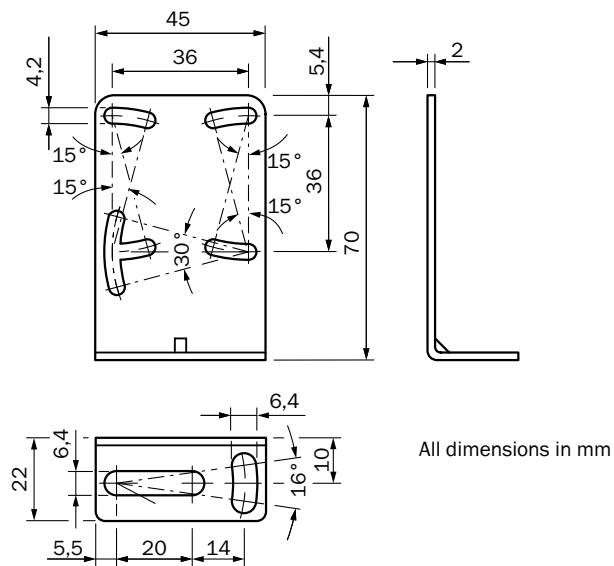
Special accessories



## BEF-W250

Mounting brackets

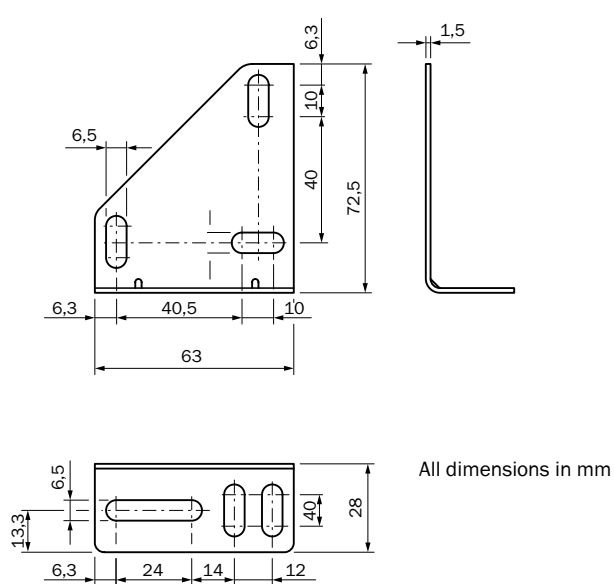
### Dimensional drawing



## BEF-W260

Mounting brackets

### Dimensional drawing



### Technical data

Material	Steel, galvanised
Delivery	incl. mounting material

### Order informations

Type	Order no.
BEF-W250	5305850

### Technical data

Material	Steel, galvanised
Delivery	incl. mounting material

### Order informations

Type	Order no.
BEF-W260	5304819

## BEF-W280 Mounting brackets

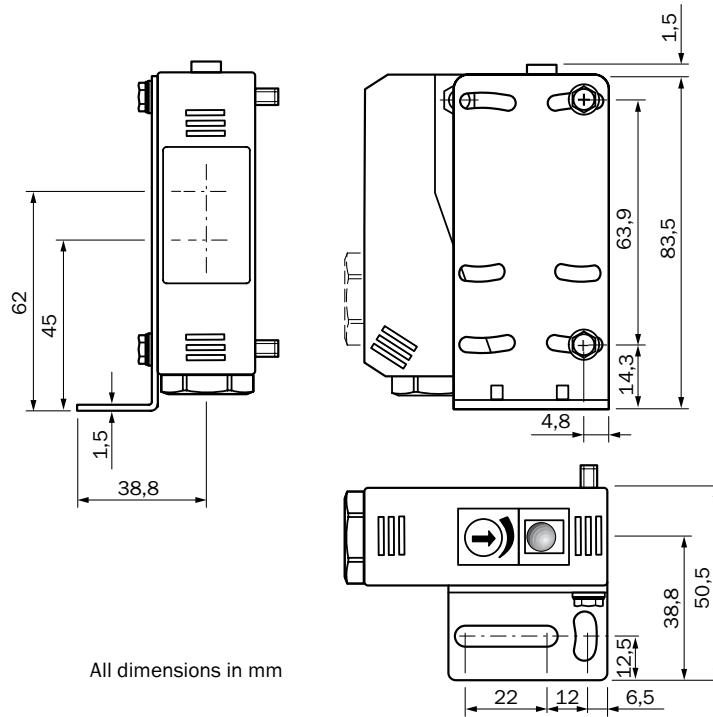
Dimensional drawing

### Technical data

<b>Material</b>	Stainless steel (1.4301)
<b>Delivery</b>	incl. mounting material

### Order informations

<b>Type</b>	<b>Order no.</b>
BEF-W280	5313885



All dimensions in mm

Universal bar clamp systems

mounting brackets

Clamping and alignment brackets

protective devices

Mountings for cylinder sensors

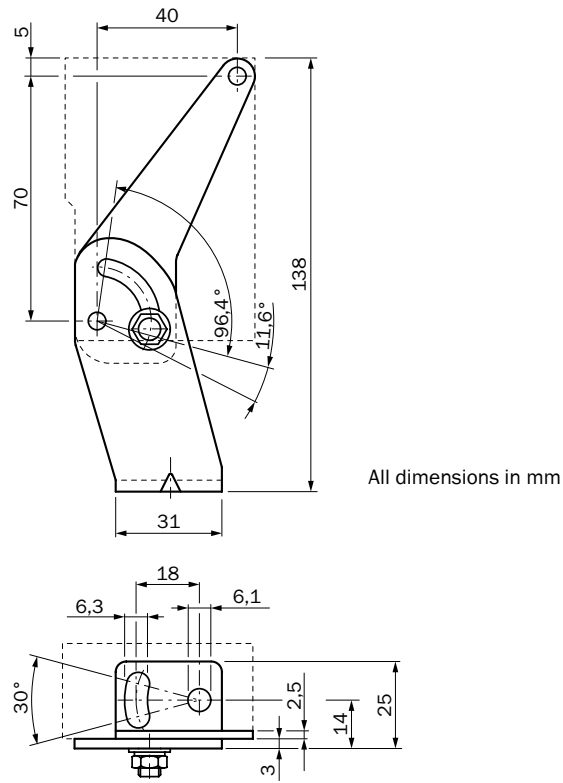
Special accessories



## BEF-WN-W27

Mounting brackets with articulated arm

Dimensional drawing



### Technical data

<b>Material</b>	Steel, galvanised
<b>Delivery</b>	incl. mounting material

### Order informations

<b>Type</b>	<b>Order no.</b>
BEF-WN-W27	2009122

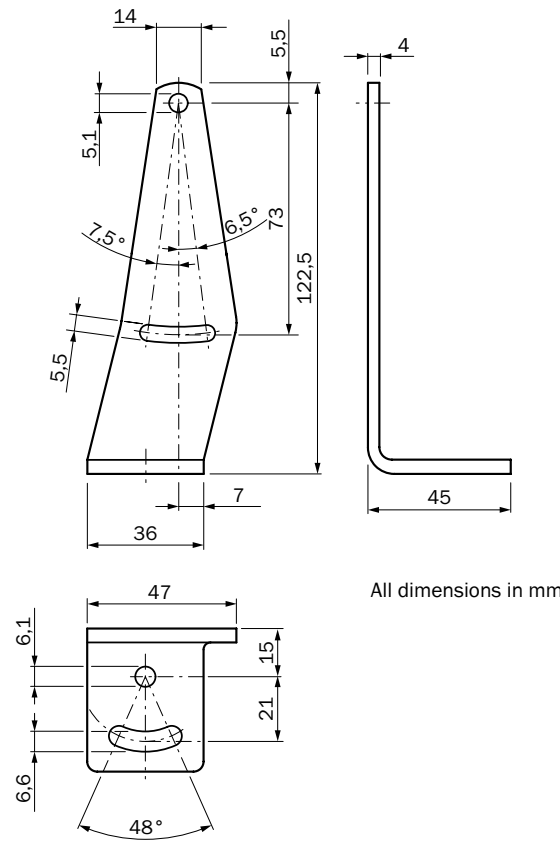




## BEF-WN-W32

Mounting brackets

### Dimensional drawing



### Technical data

<b>Material</b>	Steel, galvanised
<b>Delivery</b>	incl. mounting material

### Order informations

<b>Type</b>	<b>Order no.</b>
BEF-WN-W32	2005806

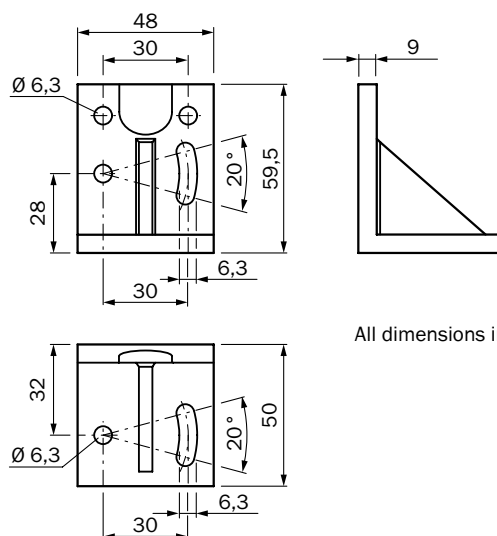




## BEF-WN-W45

Mounting brackets

Dimensional drawing



All dimensions in mm



### Technical data

Material	Steel, galvanised
Delivery	incl. mounting material

### Order informations

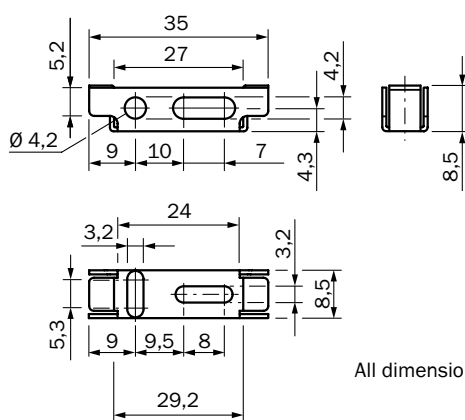
Type	Order no.
BEF-WN-W45	2011480



## BEF-WLL170

Mounting brackets

Dimensional drawing



All dimensions in mm



### Technical data

Material	Steel, galvanised
Delivery	incl. mounting material

### Order informations

Type	Order no.
BEF-WLL170	5306574

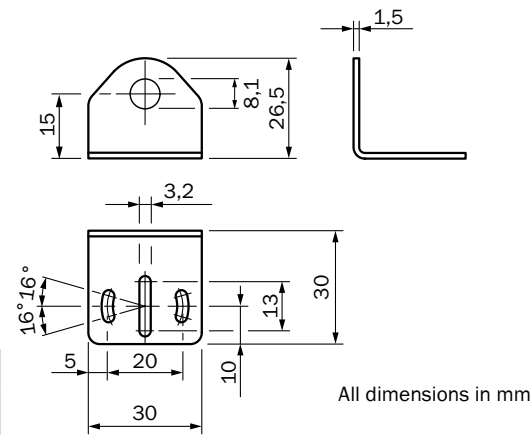




## BEF-WN-M08

Mounting brackets  
for M8 sensors

Dimensional drawing



### Technical data

Material	Steel, galvanised
Delivery	Mounting hardware not included

### Order information

Type	Order no.
BEF-WN-M08	5321721

Universal bar clamp systems

mounting brackets

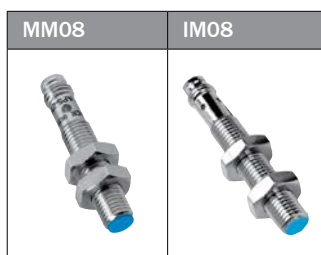
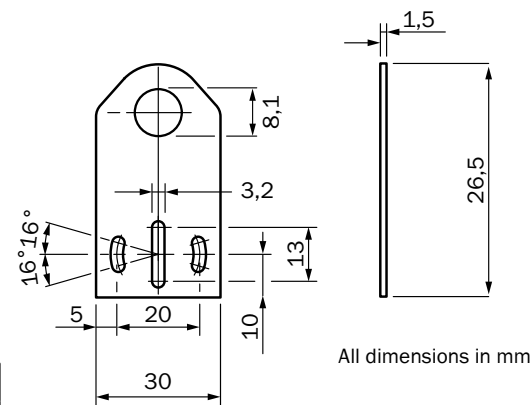
Clamping and alignment brackets



## BEF-WG-M08

Mounting plate  
for M8 sensors

Dimensional drawing



### Technical data

Material	Steel, galvanised
Delivery	Mounting hardware not included

### Order information

Type	Order no.
BEF-WG-M08	5321722

protective devices

Mountings for cylinder sensors

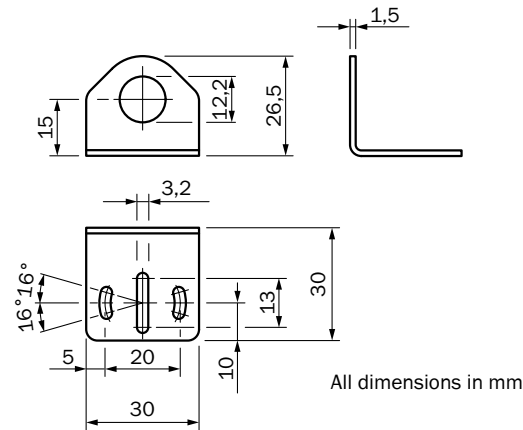
Special accessories



## BEF-WN-M12(N)

Mounting brackets for M12 sensors

Dimensional drawing



### Technical data

Material	see order informations
Delivery	Mounting hardware not included

### Order informations

Type	Order no.
BEF-WN-M12 <sup>1)</sup>	5308447
BEF-WN-M12N <sup>2)</sup>	5320949

<sup>1)</sup> Steel, galvanised

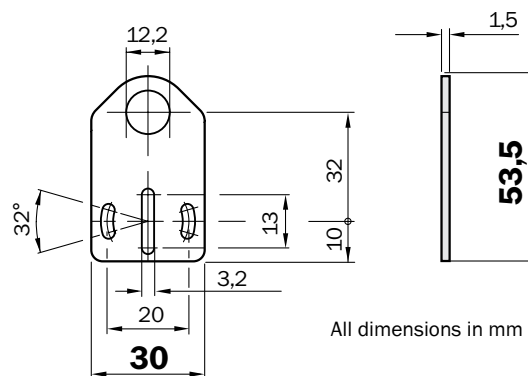
<sup>2)</sup> Stainless steel (1.4404)



## BEF-WG-M12(N)

Mounting plate for M12 sensors

Dimensional drawing



### Technical data

Material	see order informations
Delivery	Mounting hardware not included

### Order informations

Type	Order no.
BEF-WG-M12 <sup>1)</sup>	5321869
BEF-WG-M12N <sup>2)</sup>	5320950

<sup>1)</sup> Steel, galvanised

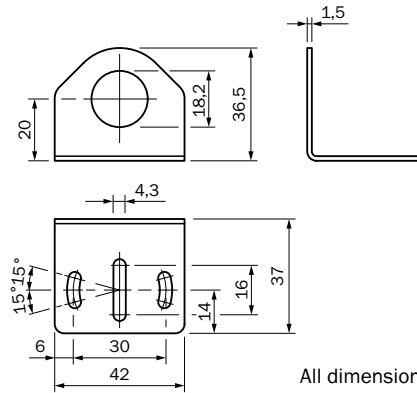
<sup>2)</sup> Stainless steel (1.4404)



## BEF-WN-M18(N)

Mounting brackets  
for M18 sensors

Dimensional drawing



All dimensions in mm

### Technical data

<b>Material</b>	see order informations
<b>Delivery</b>	Mounting hardware not included

### Order informations

Type	Order no.
BEF-WN-M18 <sup>1)</sup>	5308446
BEF-WN-M18N <sup>2)</sup>	5320947

<sup>1)</sup> Steel, galvanised

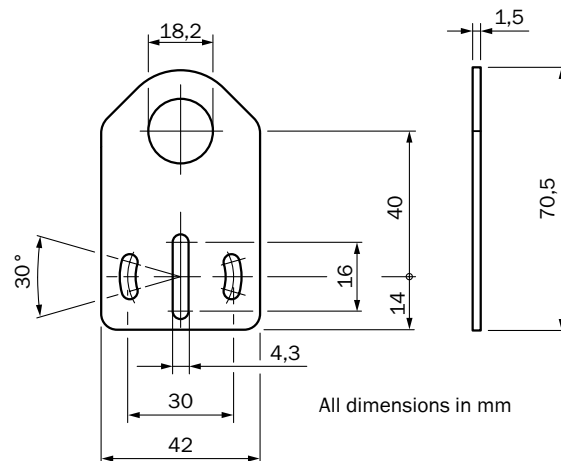
<sup>2)</sup> Stainless steel (1.4404)



## BEF-WG-M18(N)

Mounting plate  
for M18 sensors

Dimensional drawing



All dimensions in mm

### Technical data

<b>Material</b>	see order informations
<b>Delivery</b>	Mounting hardware not included

### Order informations

Type	Order no.
BEF-WG-M18 <sup>1)</sup>	5321870
BEF-WG-M18N <sup>2)</sup>	5320948

<sup>1)</sup> Steel, galvanised

<sup>2)</sup> Stainless steel (1.4404)

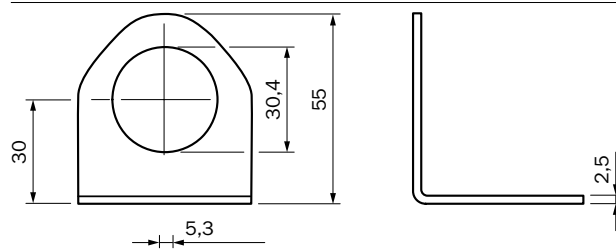




## BEF-WN-M30

Mounting brackets

### Dimensional drawing



### Technical data

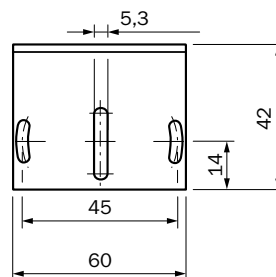
<b>Material</b>	Steel, galvanised
<b>Delivery</b>	Mounting hardware not included

### Order informations

<b>Type</b>	<b>Order no.</b>
BEF-WN-M30	5308445



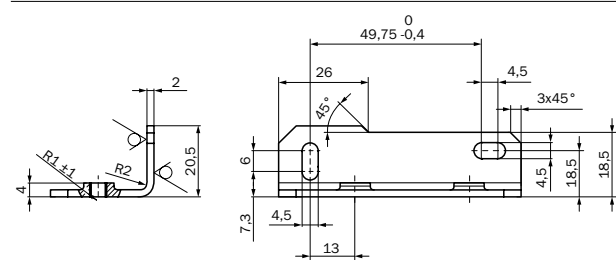
All dimensions in mm



## BEF-WK-WTR

Mounting brackets

### Dimensional drawing



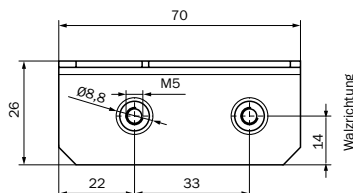
### Technical data

<b>Material</b>	Steel, galvanised
<b>Delivery</b>	incl. mounting material

### Order informations

<b>Type</b>	<b>Order no.</b>
BEF-WK-WTR	2051786

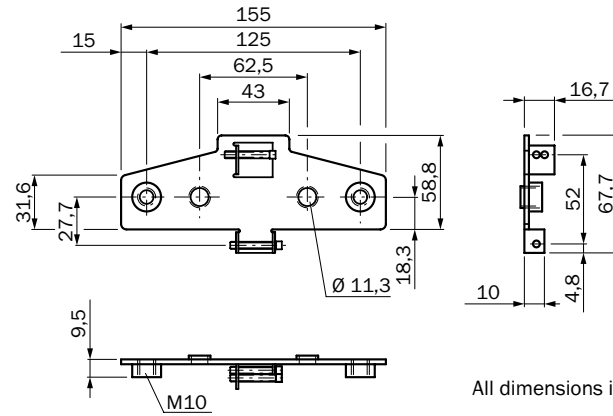
All dimensions in mm



## BEF-WN-WTR

Mounting plate

Dimensional drawing



### Technical data

Material	Steel, galvanised
Delivery	incl. mounting material

### Order information

Type	Order no.
BEF-WN-WTR	2017417

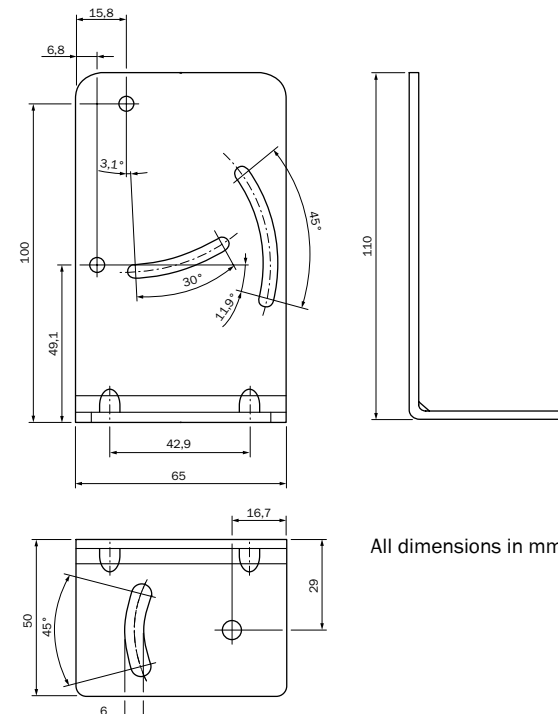
WTR



## BEF-WN-DT20

Mounting brackets

Dimensional drawing



### Technical data

Material	Stainless steel (1.4301)
Delivery	Mounting hardware not included

### Order information

Type	Order no.
BEF-WN-DT20	4043524

DT20

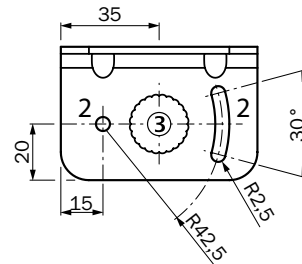
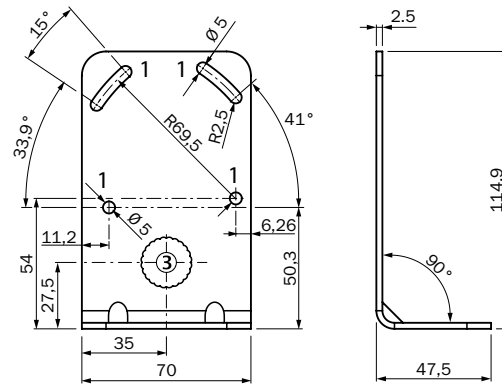




## BEF-WN-DX50

Mounting brackets

Dimensional drawing



### Technical data

<b>Material</b>	Steel, galvanised
<b>Delivery</b>	Mounting hardware included

### Order informations

<b>Type</b>	<b>Order no.</b>
BEF-WN-DX50	2048370

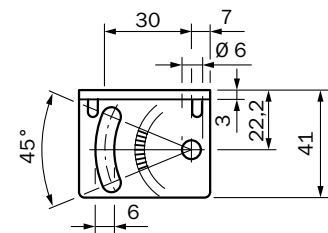
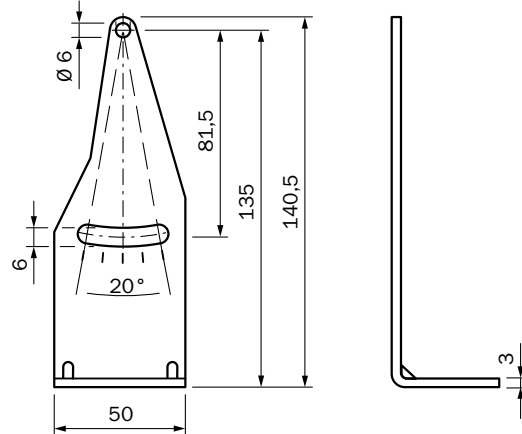
All dimensions in mm



## BEF-WN-DS60

Mounting brackets

Dimensional drawing



### Technical data

<b>Material</b>	Stainless steel (1.4301)
<b>Delivery</b>	Mounting hardware not included

### Order informations

<b>Type</b>	<b>Order no.</b>
BEF-WN-DS60	4032937

All dimensions in mm



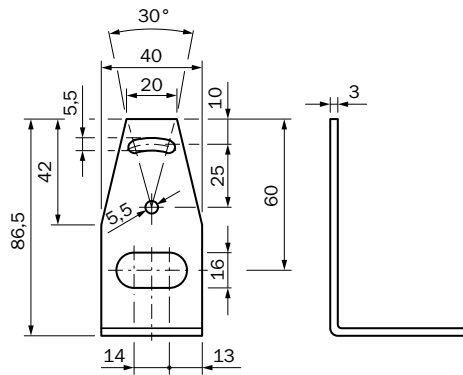




## BEF-WN-WLG12

Mounting brackets

Dimensional drawing



All dimensions in mm



WL12

### Technical data

Material	Stainless steel (1.4301)
Delivery	incl. mounting material

### Order information

Type	Order no.
BEF-WN-WLG12	2017567

Universal bar clamp systems

mounting brackets

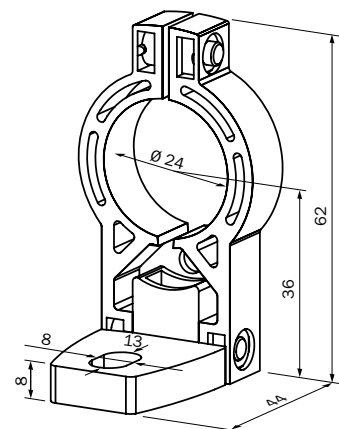
Clamping and alignment brackets



## Mounting kit 1

Rotary bracket

Dimensional drawing



All dimensions in mm

### Technical data

Material	Plastic (PA6)
Delivery	2 pairs incl. Mounting material

### Order information

Type	Order no.
Mounting kit 1	2019649

protective devices

Mountings for cylinder sensors

Special accessories

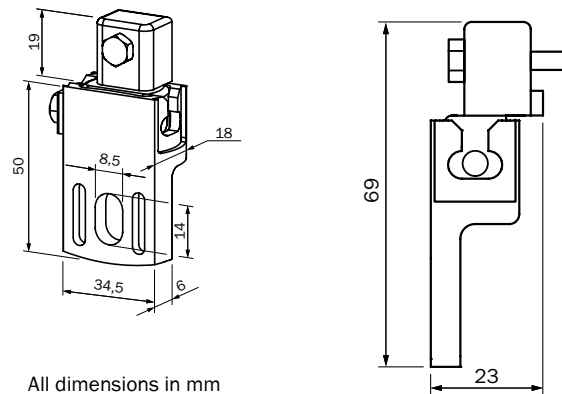




## BEF-NUT-MLG

Side mounting with T-nuts

Dimensional drawing



All dimensions in mm

### Technical data

Material	zinc, die-cast
Delivery	2 pairs incl. Mounting material

### Order informations

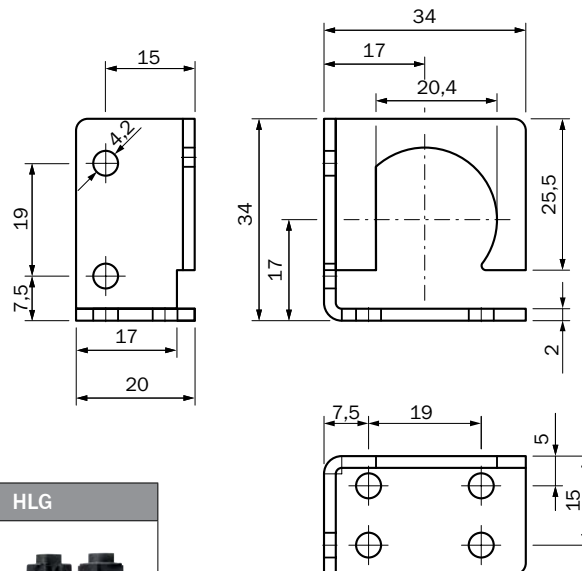
Type	Order no.
BEF-NUT-MLG	2023696



## BEF-WK-XLG

Compact metal right angle mounting bracket

Dimensional drawing



All dimensions in mm

### Technical data

Material	Steel, galvanised
Delivery	1 pair

### Order informations

Type	Order no.
BEF-WK-XLG	2029100



Universal bar clamp systems

mounting brackets

Clamping and alignment brackets

protective devices

Mountings for cylinder sensors

Special accessories

**Clamping and alignment brackets – cleverly mounted**





**Accurate alignment, quick mounting:  
SICK clamping and alignment brackets offer  
you both. Thanks to reliable, intelligent and  
solutions – from ball joints to spring plates,  
from dovetail guides to bar mounting clamps.  
You will find a suitable mounting solution here!**

**For rectangular sensors                    ab Seite 53**

**For cylindrical sensor                    ab Seite 56**

**For light grids and  
distance sensors                    ab Seite 58**

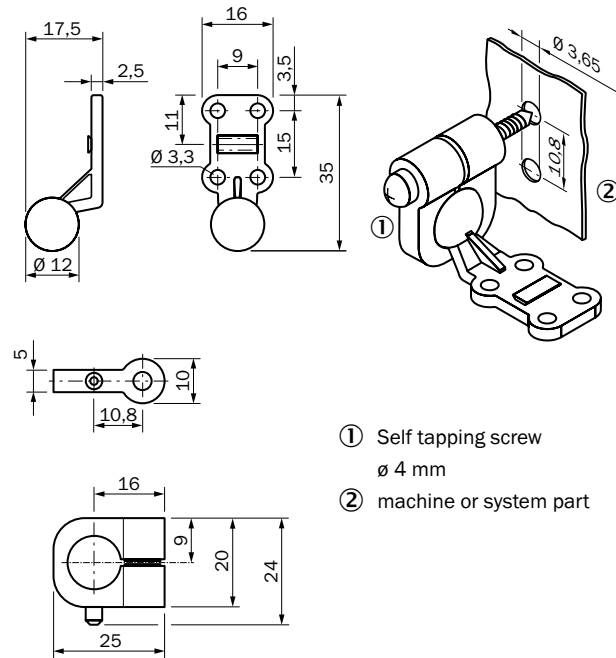
# SICK CLAMPING AND ALIGNMENT BRACKETS



## BEF-GH-MINI01

Ball joint bracket

Dimensional drawing



- ① Self tapping screw  
ø 4 mm
- ② machine or system part

### Technical data

<b>Material</b>	Plastic (ABS)
<b>Delivery</b>	incl. mounting material

### Order information

<b>Type</b>	<b>Order no.</b>
BEF-GH-MINI01	2023160

All dimensions in mm

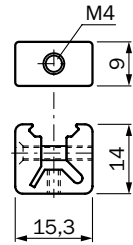




## BEF-KH-W12

Clamp  
for dovetail mounting

Dimensional drawing



All dimensions in mm

### Technical data

Material	Steel, galvanised
Delivery	incl. mounting material

### Order information

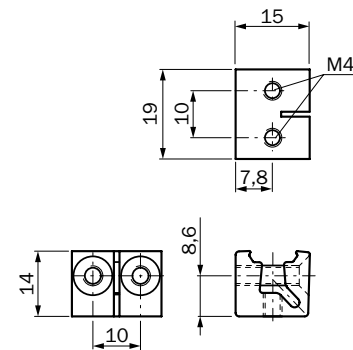
Type	Order no.
BEF-KH-W12	2013285



## BEF-DKH-W12

Double clamp  
for dovetail mounting

Dimensional drawing



All dimensions in mm

### Technical data

Material	Steel, galvanised
Delivery	incl. mounting material

### Order information

Type	Order no.
BEF-DKH-W12	2013947



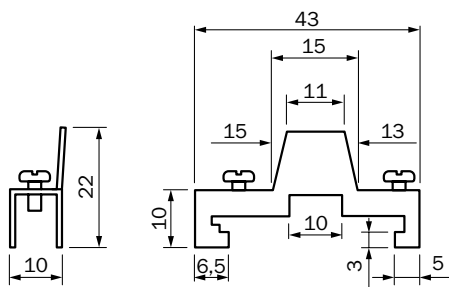




## BEF-EB01-W190

Endcap for block installation on DIN-RAIL

Dimensional drawing



All dimensions in mm

### Technical data

Material	Steel, galvanised
Delivery	2 pieces

### Order informations

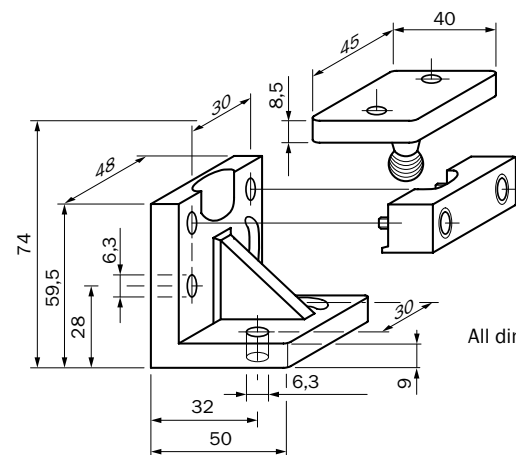
Type	Order no.
BEF-EB01-W190	5313011



## BEF-KK-W45

Ball joint bracket

Dimensional drawing



All dimensions in mm

### Technical data

Material	Steel, galvanised
Delivery	incl. mounting material

### Order informations

Type	Order no.
BEF-KK-W45	2011436





Universal bar clamp systems

mounting brackets

Clamping and alignment brackets

protective devices

Mountings for cylinder sensors

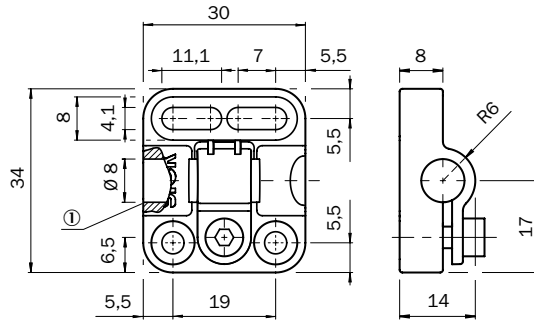
Special accessories



## BEF-KH(F)-M08

Terminal block for M12 cylindrical sensors with and without mechanical stop

Dimensional drawing



### Technical data

<b>Material</b>	Plastic (PA12), glass fiber reinforced
<b>Delivery</b>	incl. mounting material

### Order informations

Type	Order no.
BEF-KH-M08 <sup>1)</sup>	2051477
BEF-KHF-M08 <sup>2)</sup>	2051478

<sup>1)</sup> Without mechanical stop

<sup>2)</sup> With mechanical stop



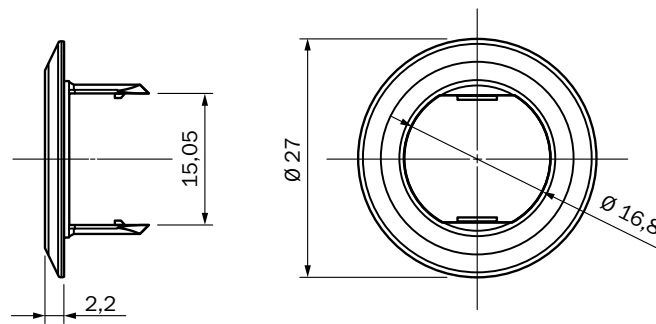
All dimensions in mm



## BEF-WN-MH15-1

Mounting adapter

Dimensional drawing



All dimensions in mm

### Technical data

<b>Material</b>	Plastic (PA12)
<b>Delivery</b>	Mounting hardware not included

### Order informations

Type	Order no.
BEF-WN-MH15-1	4039533

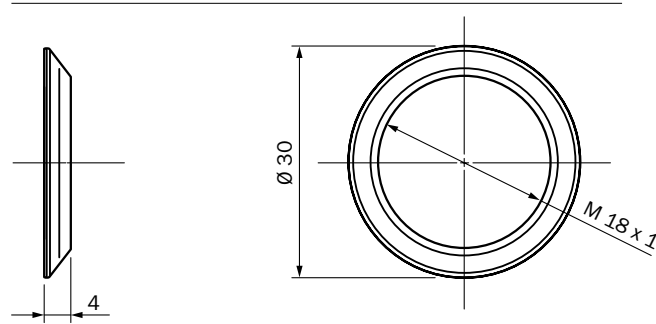




## BEF-WN-MH15-2

Mounting ring

Dimensional drawing



All dimensions in mm

### Technical data

<b>Material</b>	Stainless steel (1.4404)
<b>Delivery</b>	Mounting hardware not included

### Order information

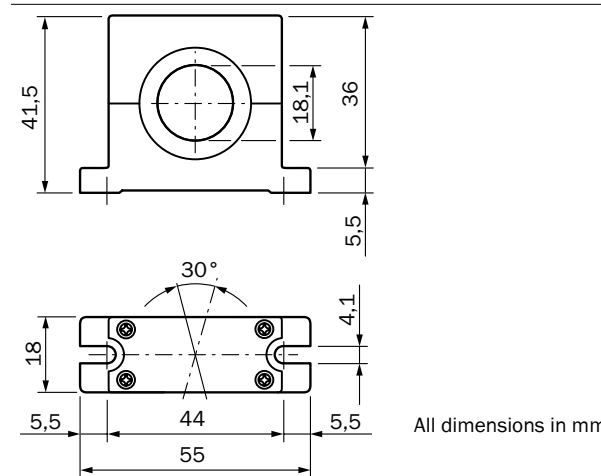
<b>Type</b>	<b>Order no.</b>
BEF-WN-MH15-2	4053358



## BEF-WN-M18-ST02

Alignment bracket with ball joint

Dimensional drawing



All dimensions in mm

### Technical data

<b>Material</b>	Plastic (ABS)
<b>Delivery</b>	incl. mounting material

### Order information

<b>Type</b>	<b>Order no.</b>
BEF-WN-M18-ST02	5312973

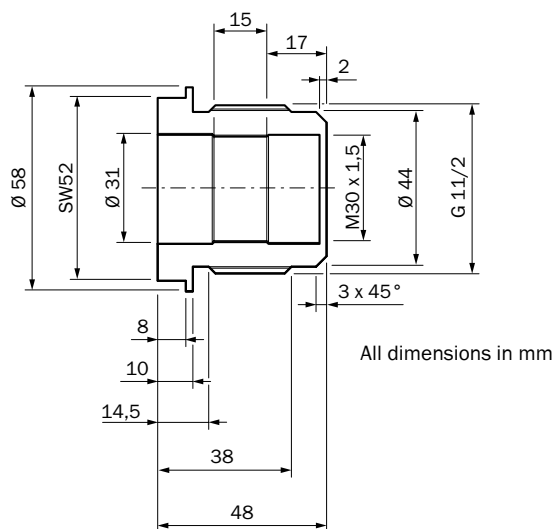




## BEF-EA-CM30

Mounting adapter for silo and tank applications

Dimensional drawing



### Technical data

Material	Kunststoff (POM)
Delivery	incl. mounting material

### Order informations

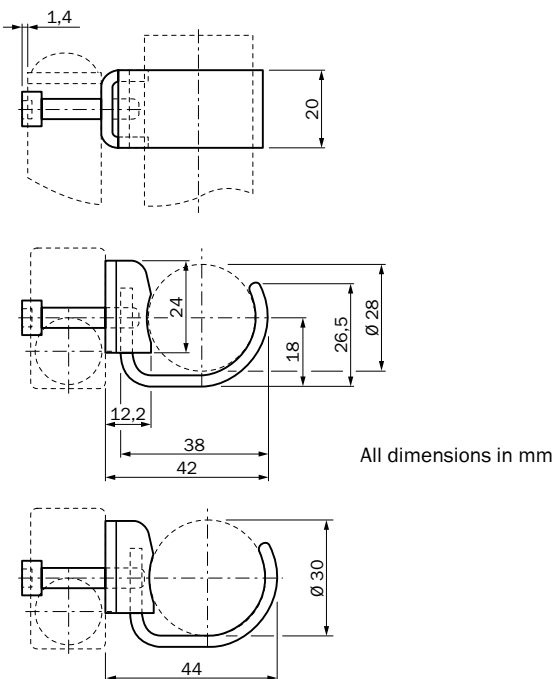
Type	Order no.
BEF-EA-CM30	2043770



## BEF-RD30-PLG

Clamping and alignment bracket

Dimensional drawing



### Technical data

Material	Stainless steel (1.4301)
Delivery	2 pieces incl. mounting material

### Order informations

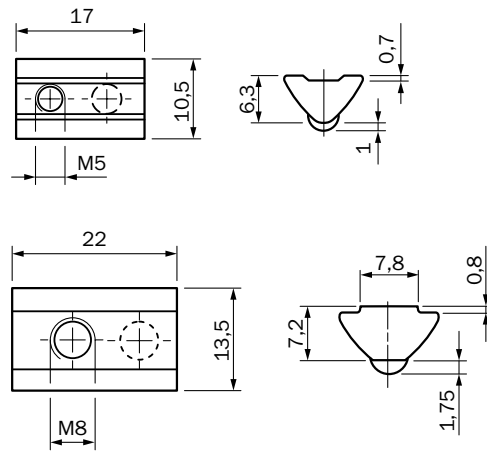
Type	Order no.
BEF-RD30-PLG	2040541



## BEF-NSIT-PLG

T-slot nut with spring ball  
for ITEM profile rail

Dimensional drawing



All dimensions in mm



### Technical data

<b>Material</b>	Steel, galvanised
<b>Delivery</b>	Slot 8 and slot 10, 2 x each incl. mounting material

### Order informations

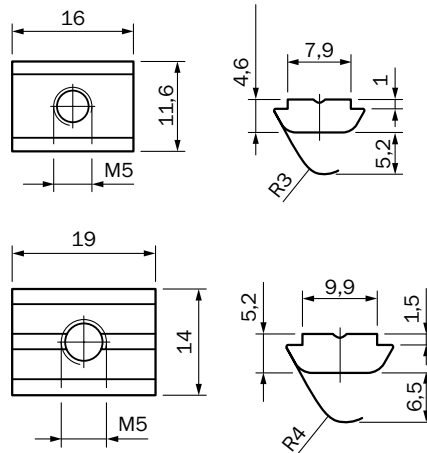
<b>Type</b>	<b>Order no.</b>
BEF-NSIT-PLG	2041045



## BEF-NSBO-PLG

T-slot nut with spring leaf  
for Bosch profile rail

Dimensional drawing



All dimensions in mm



### Technical data

<b>Material</b>	Steel, galvanised
<b>Delivery</b>	Slot 8 and slot 10, 2 x each incl. mounting material

### Order informations

<b>Type</b>	<b>Order no.</b>
BEF-NSBO-PLG	2041049

Universal bar clamp systems

mounting brackets

Clamping and alignment brackets

protective devices

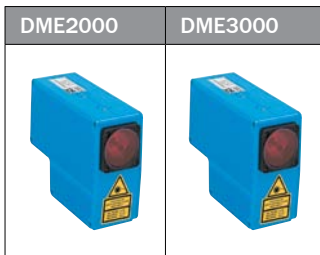
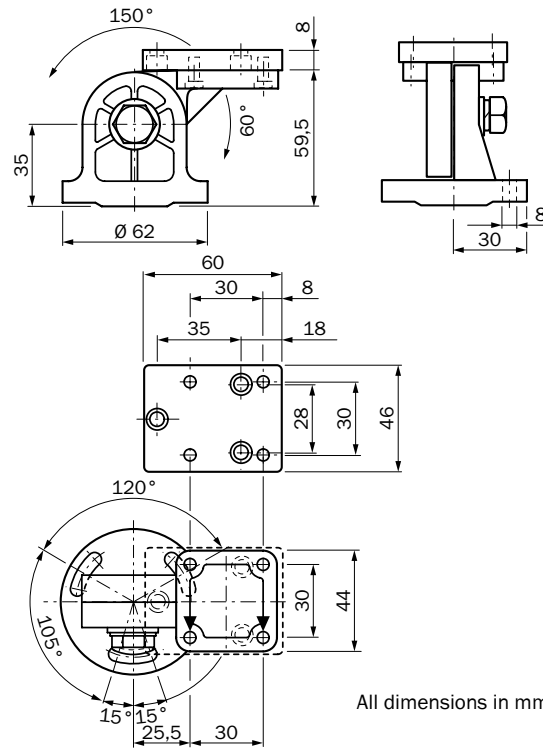
Mountings for cylinder sensors

Special accessories



**BEF-GH-DME**  
Articulated mounting bracket

Dimensional drawing



**Technical data**

<b>Material</b>	Aluminium, anodised
<b>Delivery</b>	incl. mounting material

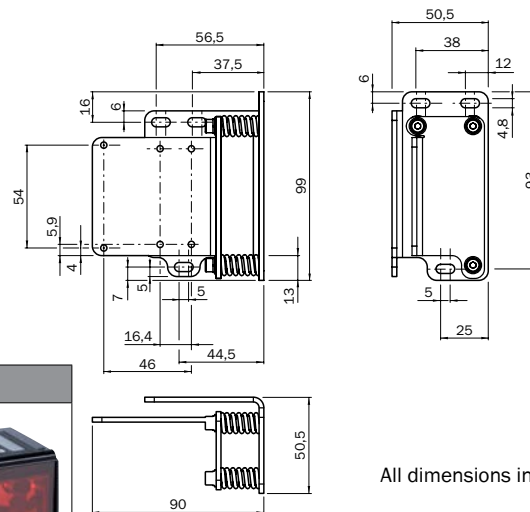
**Order informations**

<b>Type</b>	<b>Order no.</b>
BEF-GH-DME	2015229



**BEF-AH-DX50**  
Alignment unit

Dimensional drawing



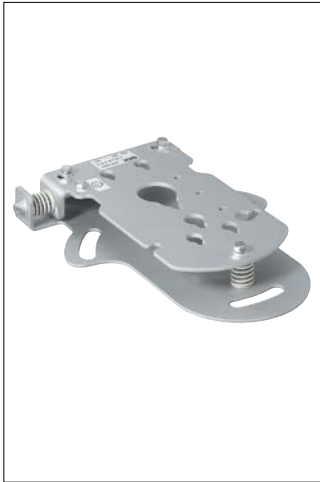
**Technical data**

<b>Material</b>	Steel, galvanised
<b>Delivery</b>	incl. mounting material

**Order informations**

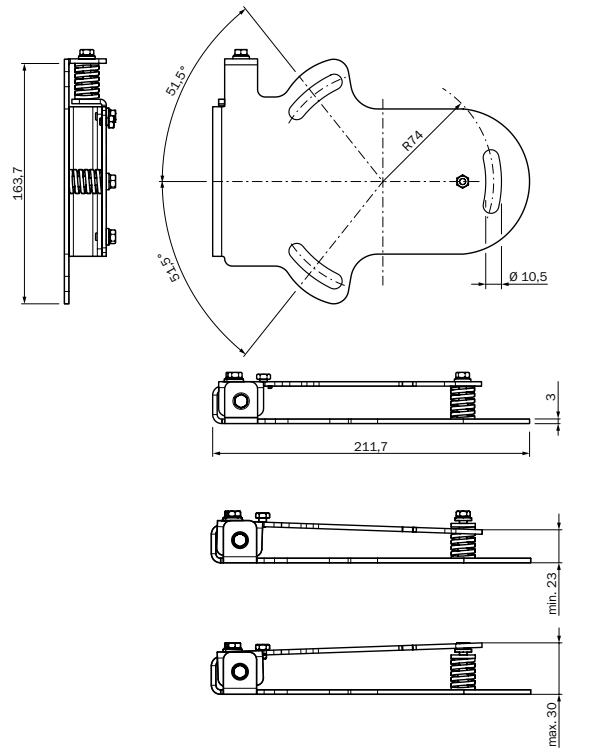
<b>Type</b>	<b>Order no.</b>
BEF-AH-DX50	2048397





**BEF-DME/ISD**  
Alignment unit

Dimensional drawing



Technical data

<b>Material</b>	Aluminium, anodised
<b>Delivery</b>	Mounting hardware not included

Order information

<b>Type</b>	<b>Order no.</b>
BEF-DME/ISD	2046052



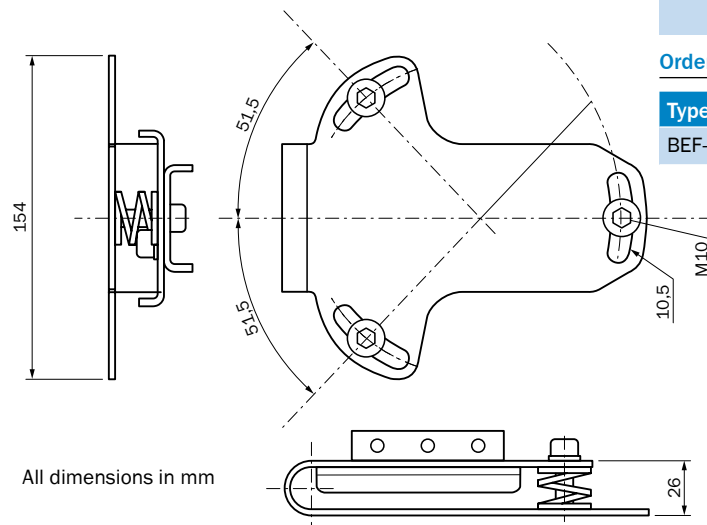
DME4000 ISD4000

All dimensions in mm



**BEF-AH-DME**  
Alignment unit

Dimensional drawing



All dimensions in mm

Technical data

<b>Material</b>	Stainless steel, (1.4541)
<b>Delivery</b>	incl. mounting material

Order information

<b>Type</b>	<b>Order no.</b>
BEF-AH-DME	2027721



DME5000

Universal bar clamp systems

mounting brackets

Clamping and alignment brackets

protective devices

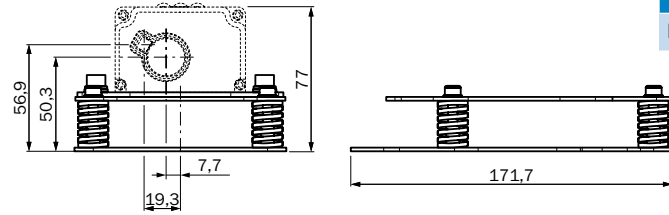
Mountings for cylinder sensors

Special accessories



**BEF-DSDT**  
Alignment unit

Dimensional drawing



**Technical data**

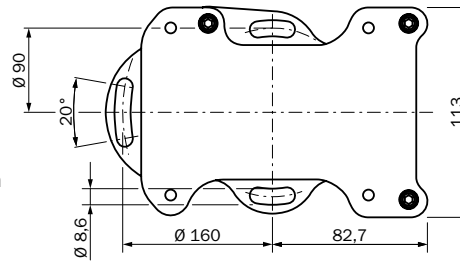
<b>Material</b>	Stainless steel (1.4301)
<b>Delivery</b>	incl. mounting material

**Order informations**

<b>Type</b>	<b>Order no.</b>
BEF-DSDT	2031377

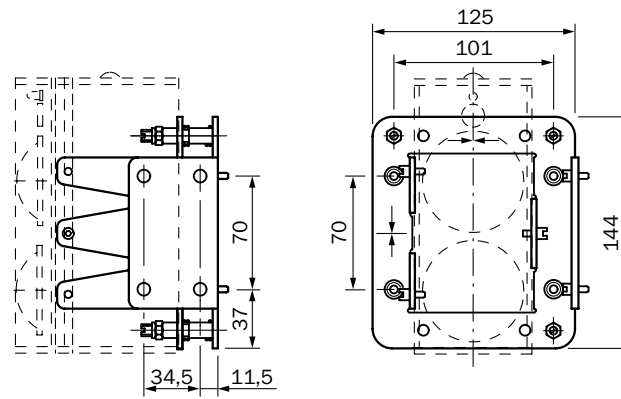


All dimensions in mm



**BEF-KH-ISD**  
Alignment unit

Dimensional drawing



All dimensions in mm

**Technical data**

<b>Material</b>	Stainless steel
<b>Delivery</b>	incl. mounting material

**Order informations**

<b>Type</b>	<b>Order no.</b>
BEF-KH-ISD	5306369

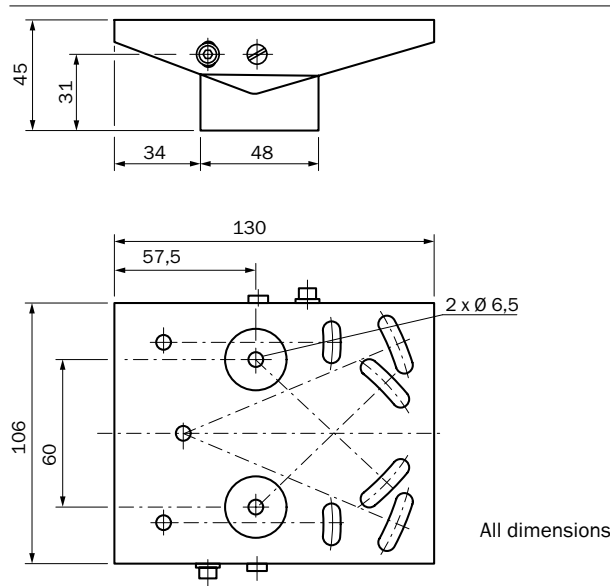




## BEF-GH-DMT

Alignment unit

Dimensional drawing



### Technical data

Material	Aluminium, anodised
Delivery	incl. mounting material

### Order informations

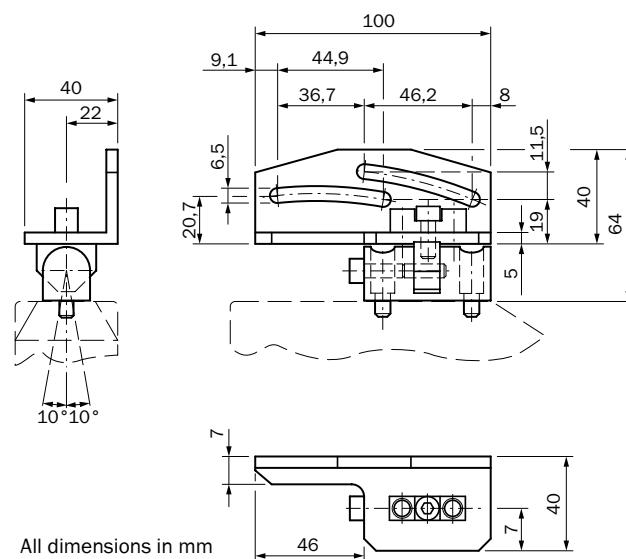
Type	Order no.
BEF-GH-DMT	5309130



## BEF-GH-DMH2

Alignment unit

Dimensional drawing

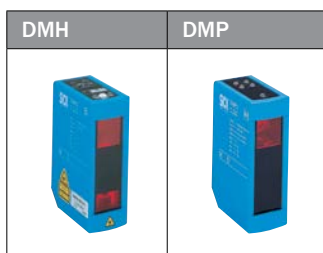


### Technical data

Material	Aluminium, anodised
Delivery	incl. mounting material

### Order informations

Type	Order no.
BEF-GH-DMH2	2020796



## Protective devices – when it gets dirty





**Sensors are used in many different places. Work gets dirty sometimes. Moisture, dust, intense sunlight or mechanical stresses can stretch the sensors' capabilities or even destroy them. Protective devices from SICK ensure perfect functionality of the SICK sensors. Even under extreme conditions they counteract harmful environmental effects to protect the sensor.**

Universal bar clamp systems

mounting brackets

Clamping and alignment brackets

protective devices

Mountings for cylinder sensors

Special accessories

# SICK

## PROTECTIVE DEVICES

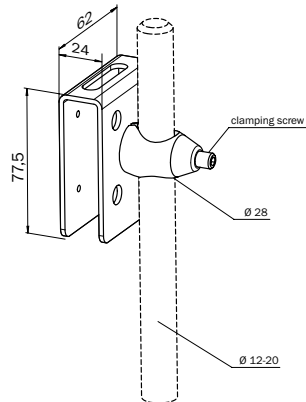






**BEF-SG-W12-3**  
Protection hood for  
Universal bar clamp systems

Dimensional drawing



All dimensions in mm



**Technical data**

Material	
Protective housing	Steel, galvanised
Clamps	zinc, die-cast
Delivery	incl. universal bar clamp and mounting material

**Order informations**

Type	Order no.
BEF-SG-W12-3	2045175

Universal bar clamp systems

mounting brackets

Clamping and alignment brackets

protective devices

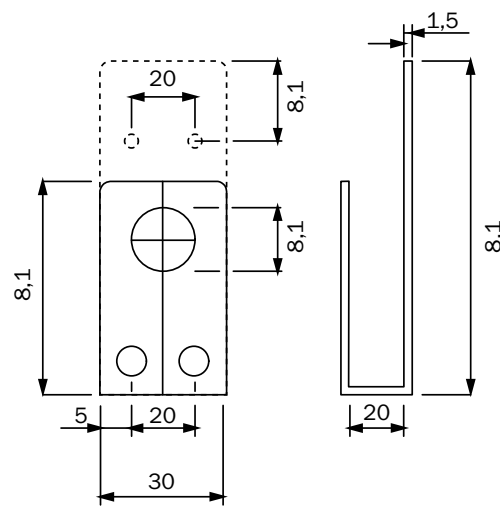
Mountings for cylinder sensors

Special accessories



**BEF-SG-W14**  
Protection hood for  
Universal bar clamp systems

Dimensional drawing



All dimensions in mm



**Technical data**

Material	
Protective housing	Steel, galvanised
Clamps	zinc, die-cast
Delivery	incl. universal bar clamp and mounting material

**Order informations**

Type	Order no.
BEF-SG-W14	2058124

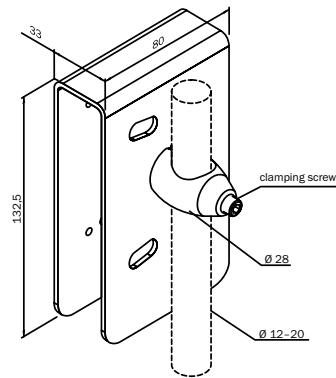




## BEF-SG-W27

Protection hood for  
Universal bar clamp systems

Dimensional drawing



All dimensions in mm

### Technical data

Material	Steel, galvanised
Protective housing	Steel, galvanised
Clamps	zinc, die-cast
Delivery	Universal clamp and mounting hardware included

### Order informations

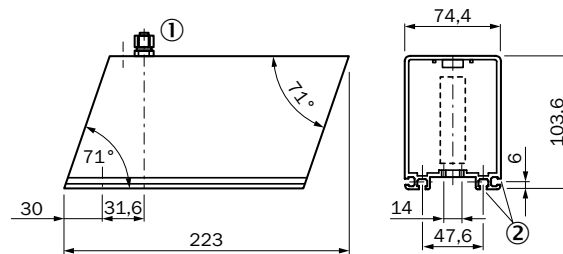
Type	Order no.
BEF-SG-W27	2039601



## OBS-W24

Dust protection tube  
with air purging

Dimensional drawing



All dimensions in mm

- ① Fast action screw fitting for hose internal diameter 6 mm
- ② Running nut channel for M5 nut (included in delivery)

### Technical data

Material	Aluminium, anodised
Delivery	incl. mounting material

### Order informations

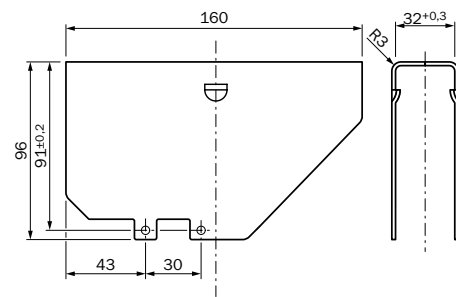
Type	Order no.
OBS-W24	2015069





**OBW-W24**  
Weather-protection hood

Dimensional drawing



All dimensions in mm

Technical data

Material	Aluminium, anodised
Delivery	incl. mounting material

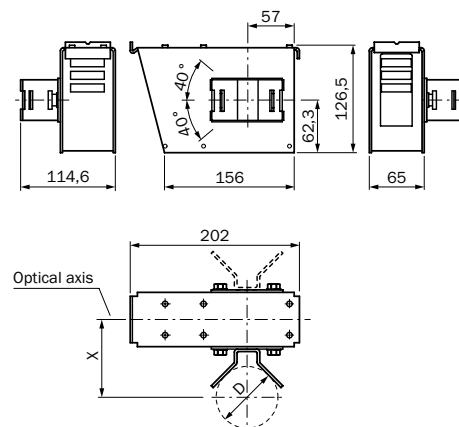
Order informations

Type	Order no.
OBW-W24	2015070



**WSG1-01**  
Weather-protection hood

Dimensional drawing



All dimensions in mm

Technical data

Material	Aluminium, anodised
Delivery	incl. mounting material

Order informations

Type	Order no.
WSG1-01	1018470

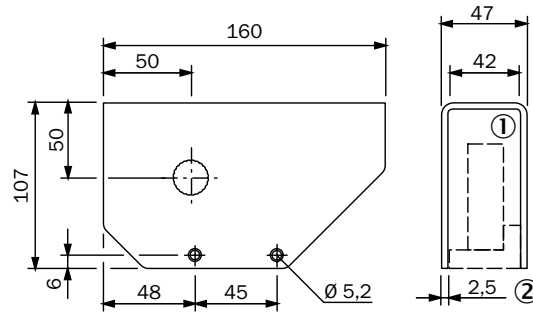
W24-2	W34	DS40	DT60	DS60



## OBW-KHS-M01

Weather protection hood for Universal bar clamp systems

Dimensional drawing



All dimensions in mm

- ① Sensor
- ② Base holder with mounting material included with delivery

### Technical data

<b>Material</b>	Steel, galvanised
<b>Delivery</b>	incl. mounting material

### Order informations

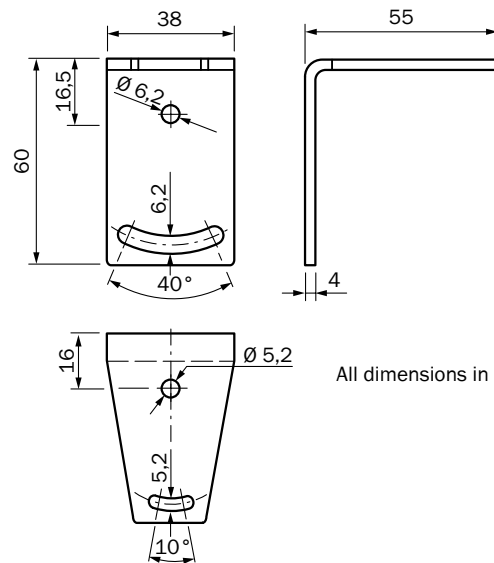
<b>Type</b>	<b>Order no.</b>
OBW-KHS-M01	2023240



## BEF-WN-OBW

Mounting brackets for weather protection hood OBW-KHS-M01

Dimensional drawing



All dimensions in mm

### Technical data

<b>Material</b>	Steel, galvanised
<b>Delivery</b>	incl. mounting material

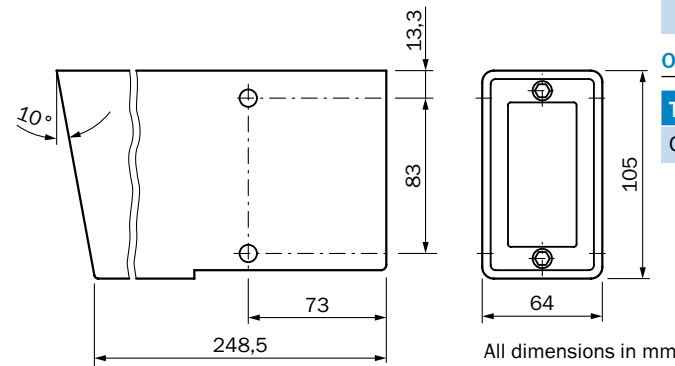
### Order informations

<b>Type</b>	<b>Order no.</b>
BEF-WN-OBW	2023251



**OBS-W45**  
Dust protection tube

Dimensional drawing



Technical data

Material	Aluminium, painted
Delivery	incl. mounting material

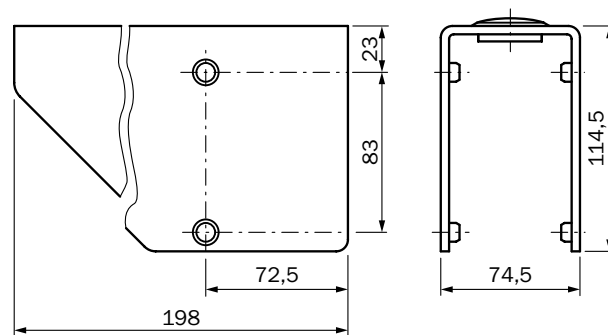
Order information

Type	Order no.
OBS-W45	2011432



**OBW-W45**  
Weather protection hood

Dimensional drawing



Technical data

Material	Aluminium, painted
Delivery	incl. mounting material

Order information

Type	Order no.
OBW-W45	2011431



Universal bar clamp systems

mounting brackets

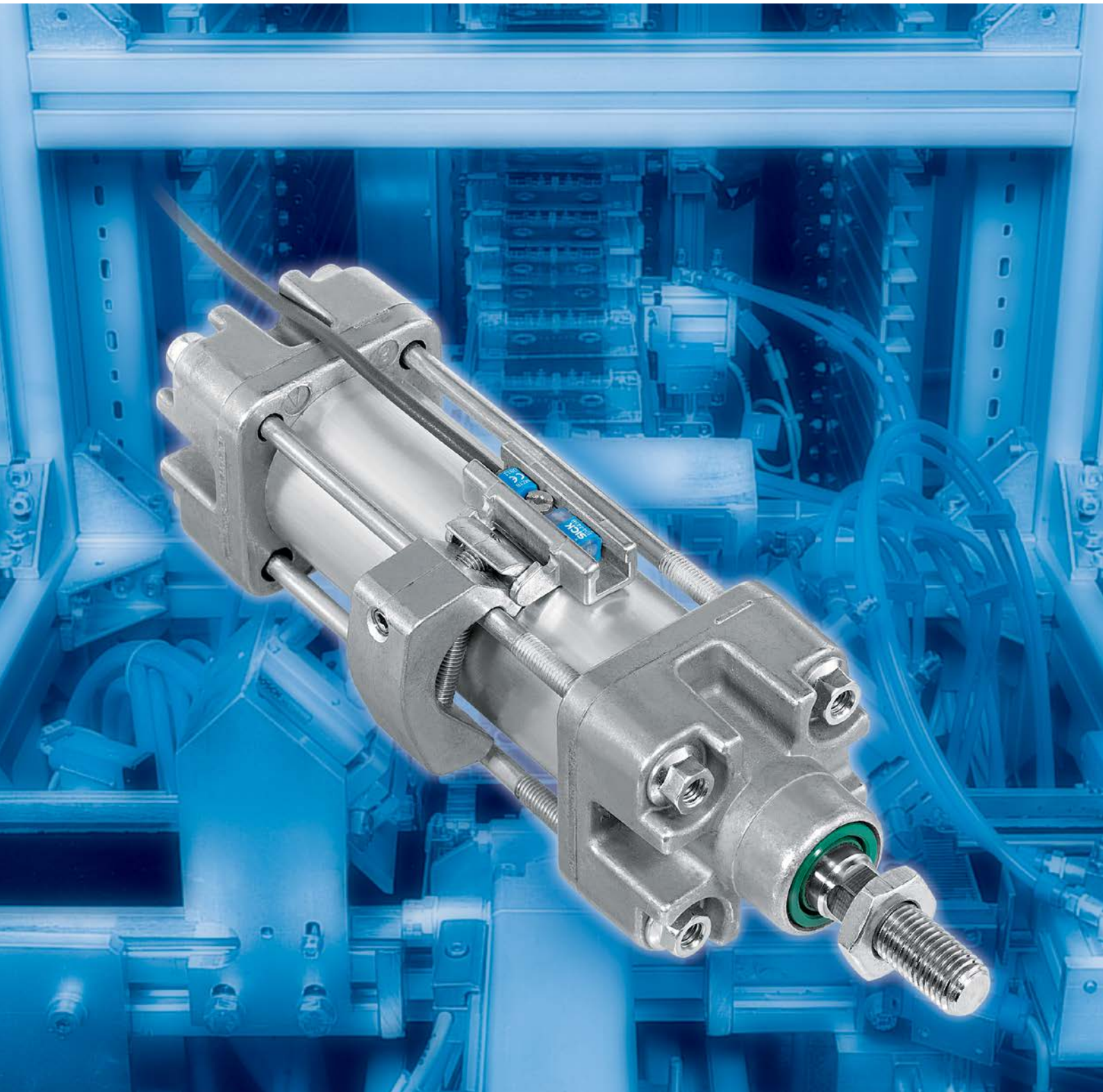
Clamping and alignment brackets

protective devices

Mountings for cylinder sensors

Special accessories

## Mountings for cylinder sensors – the matching connection







Many linear motion sequences in modern industrial installations are pneumatically driven via piston rod cylinders. Accurate position determination of cylinder pistons is crucial to system control. In this field, SICK offers plenty of sensors, of course with matching mounting systems, to fix these sensors safely to the housing of the different piston rod cylinders.

Universal bar clamp systems

mounting brackets

Clamping and alignment brackets

protective devices

Mountings for cylinder sensors

Special accessories

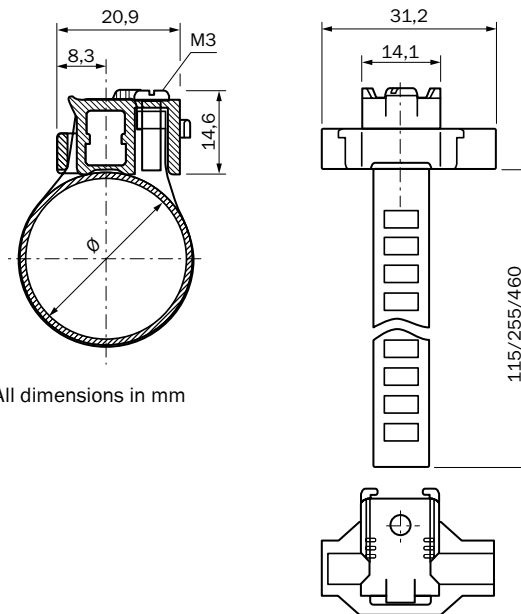
# SICK MOUNTINGS FOR CYLINDER SENSORS



## BEF-KHZ-RT1-xx

Mounting bracket for round body cylinder

### Dimensional drawing



### Technical data

Material	Plastic (PEI)/nickel silver
----------	-----------------------------

### Order informations

Type	Order no.	Ø in mm
BEF-KHZ-RT1-25	5311171	8 ... 25
BEF-KHZ-RT1-63	5311172	8 ... 63
BEF-KHZ-RT1-130	5311506	8 ... 130

MZT1	MZT6	RZT1	RZT6	MZT8	MPS

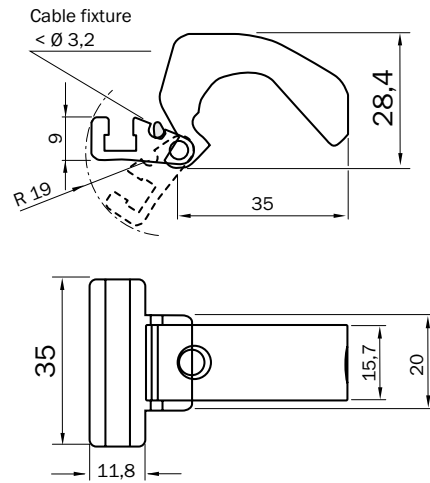




## BEF-KHZ-PT1

Mounting bracket  
for profil-/tie-rod cylinders

### Dimensional drawing



All dimensions in mm

### Technical data

Material	zinc, die-cast
Delivery	incl. mounting material

### Order informations

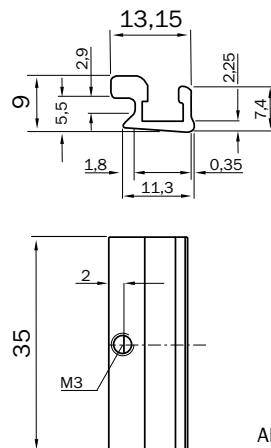
Type	Order no.
BEF-KHZ-PT1	2022702



## BEF-KHZ-ST1

Mounting bracket  
for cylinders with dovetail slot

### Dimensional drawing



All dimensions in mm

### Technical data

Material	Aluminium
Delivery	Mounting hardware not included

### Order informations

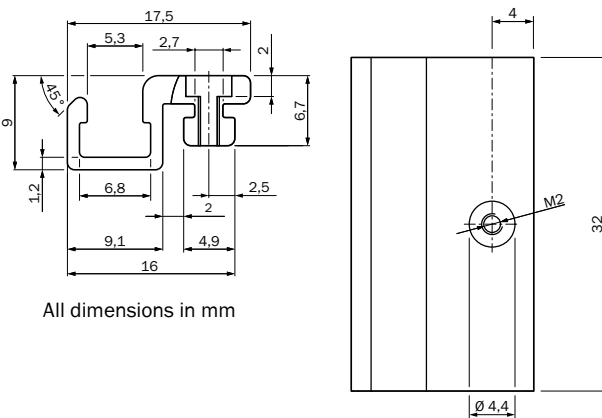
Type	Order no.
BEF-KHZ-ST1	2022703





**BEF-KHZ-TT1**  
Bracket for mounting to SMC rail EXDQ2 (T slot)

Dimensional drawing



**Technical data**

<b>Material</b>	Aluminium
<b>Delivery</b>	Mounting hardware not included

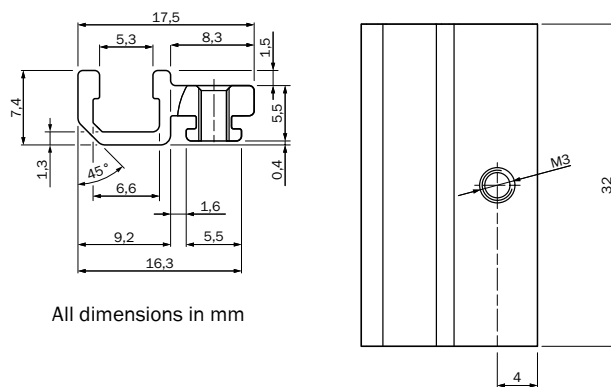
**Order informations**

<b>Type</b>	<b>Order no.</b>
BEF-KHZ-TT1	2046439



**BEF-KHZ-TT2**  
Bracket for mounting to SMC rail EXDQ2 (T slot)

Dimensional drawing



**Technical data**

<b>Material</b>	Aluminium
<b>Delivery</b>	Mounting hardware not included

**Order informations**

<b>Type</b>	<b>Order no.</b>
BEF-KHZ-TT2	2046440

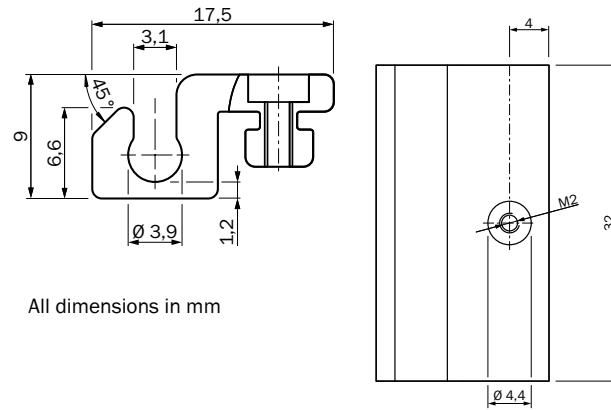




## BEF-KHZ-TC1

Bracket for mounting  
to SMC rail ECDQ2 (C slot), SMC rail E

Dimensional drawing



All dimensions in mm

### Technical data

Material	Aluminium
Delivery	Mounting hardware not included

### Order informations

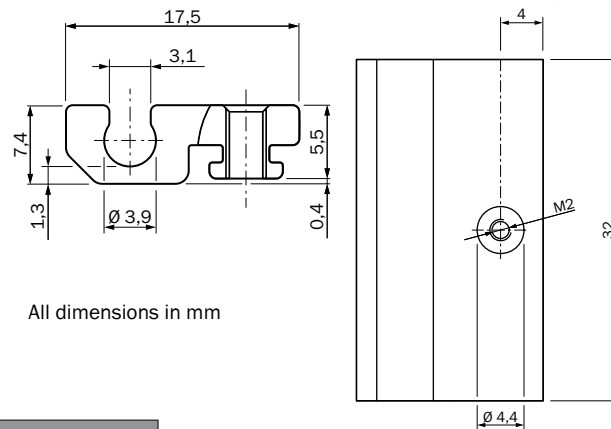
Type	Order no.
BEF-KHZ-TC1	2046441



## BEF-KHZ-TC2

Bracket for mounting  
to SMC rail ECDQ2 (C slot)

Dimensional drawing



All dimensions in mm

### Technical data

Material	Aluminium
Delivery	Mounting hardware not included

### Order informations

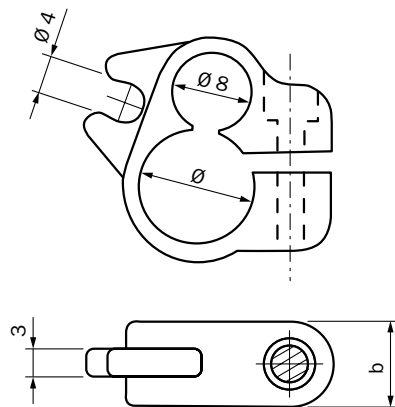
Type	Order no.
BEF-KHZ-TC2	2046442





**BEF-S-R1-xx**  
Cylinder mounting clamps

Dimensional drawing



All dimensions in mm



## Technical data

<b>Material</b>	see order informations
<b>Delivery</b>	incl. mounting material

## Order informations

Type	Order no.	$\varnothing$ Clamping range in mm	b in mm	for piston rod diameter in mm
BEF-S-R1-08 <sup>1)</sup>	7902337	9,2 ... 10,0	9	8
BEF-S-R1-10 <sup>1)</sup>	7901753	10,9 ... 12,0	9	10
BEF-S-R1-12 <sup>1)</sup>	7901754	12,9 ... 14,0	9	12
BEF-S-R1-16 <sup>1)</sup>	7901755	16,9 ... 18,0	9	16
BEF-S-R1-20 <sup>1)</sup>	7901756	21,0 ... 22,0	9	20
BEF-S-R1-25 <sup>1)</sup>	7901757	26,1 ... 27,2	9	25
BEF-S-R1-32 <sup>2)</sup>	7901758	33,0 ... 35,0	10	32
BEF-S-R1-40 <sup>2)</sup>	7901759	41,4 ... 42,5	10	40
BEF-S-R1-50 <sup>2)</sup>	7901760	52,5 ... 54,0	10	50
BEF-S-R1-63 <sup>2)</sup>	7901761	66,0 ... 67,0	10	63

<sup>1)</sup> PBTP plastic

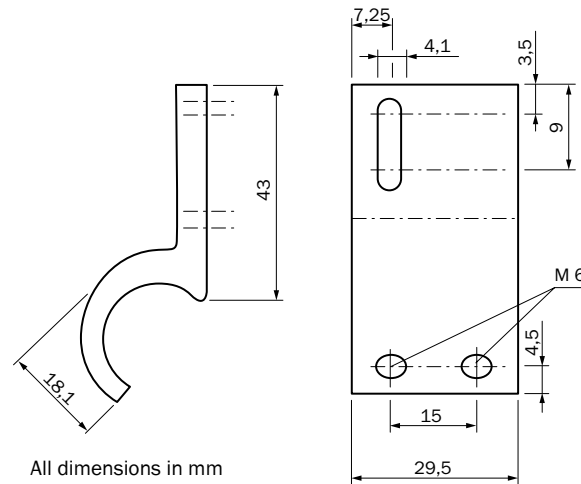
<sup>2)</sup> POM plastic



## BEF-KS-U2-P1

Clamping bracket for profil rod cylinder up to a rod width of 13 mm

Dimensional drawing



### Technical data

Material	Aluminium
Delivery	incl. mounting material

### Order informations

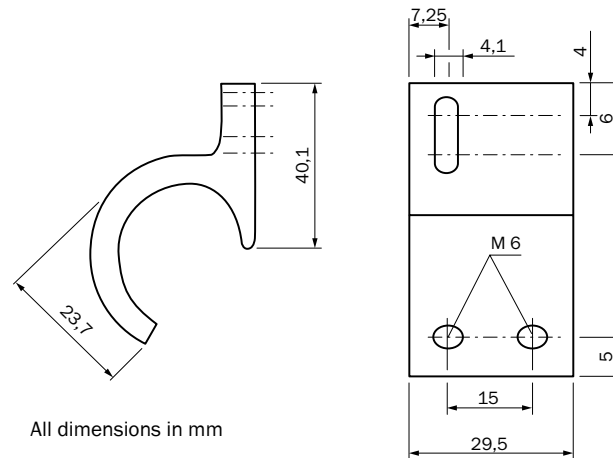
Type	Order no.
BEF-KS-U2-P1	2019824



## BEF-KS-U2-P2

Clamping bracket for profil rod cylinder up to a rod width of 18 mm

Dimensional drawing



### Technical data

Material	Aluminium
Delivery	incl. mounting material

### Order informations

Type	Order no.
BEF-KS-U2-P2	2019823



Universal bar clamp systems

mounting brackets

Clamping and alignment brackets

protective devices

Mountings for cylinder sensors

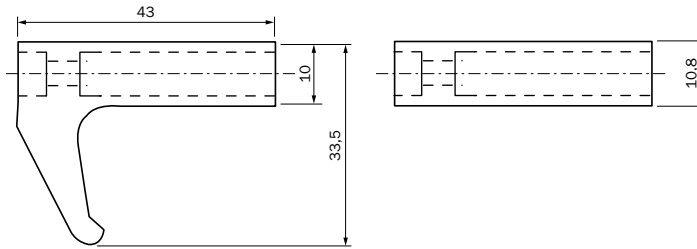
Special accessories



## BEF-KS-U2-S1

Clamping bracket for tie-rod cylinder

Dimensional drawing



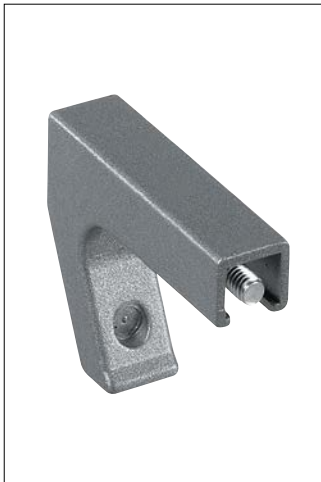
All dimensions in mm

### Technical data

Material	zinc, die-cast
Delivery	incl. mounting material

### Order informations

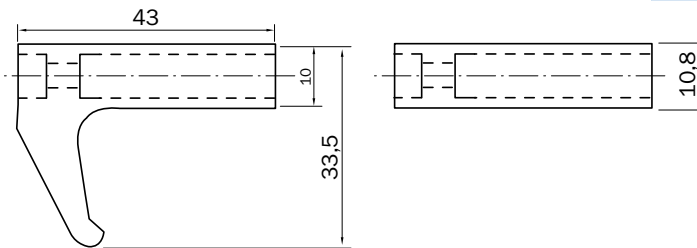
Type	Order no.
BEF-KS-U2-S1	4030922



## BEF-KS-U2-S1T

Clamping bracket for tie-rod cylinder, teflon coated

Dimensional drawing



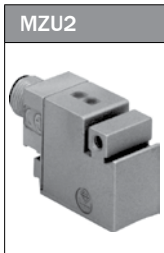
All dimensions in mm

### Technical data

Material	zinc, die-cast, teflon coated
Delivery	incl. mounting material

### Order informations

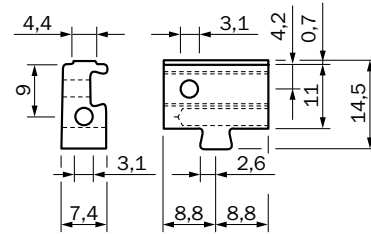
Type	Order no.
BEF-KS-U2-S1T	4031632



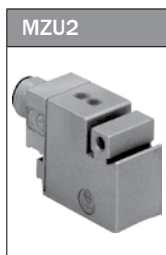


**BEF-KS-U2-T1**  
Clamping bracket  
for cylinder with T-slot or dovetail slot

Dimensional drawing

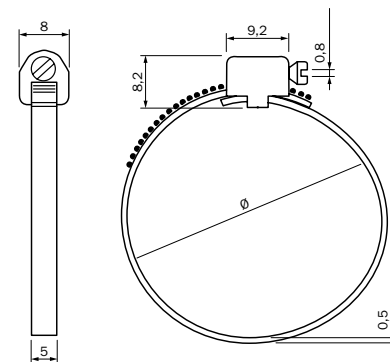


All dimensions in mm



**BEF-S-R2-xx**  
Adjustable strap for cylinders

Dimensional drawing



All dimensions in mm



Technical data

Material	Aluminium
Delivery	incl. mounting material

Order informations

Type	Order no.
BEF-KS-U2-T1	2019822

Technical data

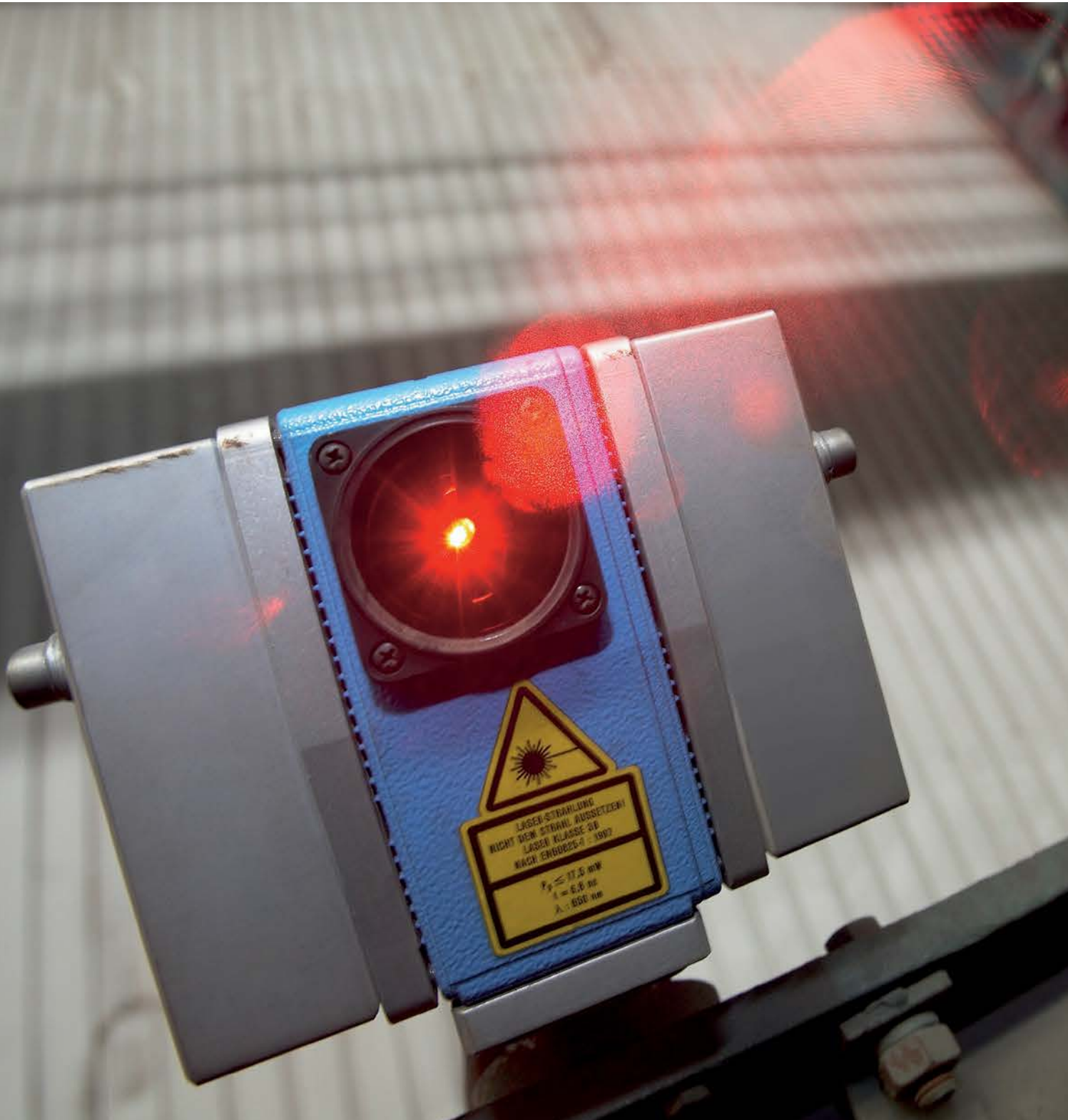
Material	Stainless steel
Delivery	Mounting hardware not included

Order informations

Type	Order no.	Ø Clamping range in mm	for piston rod diameter in mm
BEF-S-R2-16	7901762	18 ... 29	8 ... 16
BEF-S-R2-25	7901763	28 ... 39	20 ... 25
BEF-S-R2-30	7901764	38 ... 49	32
BEF-S-R2-40	7901765	48 ... 59	40
BEF-S-R2-50	7901766	58 ... 69	50
BEF-S-R2-63	7901767	65 ... 79	63
BEF-S-R2-80	7901768	85 ... 100	80
BEF-S-R2-100	7901769	95 ... 110	100



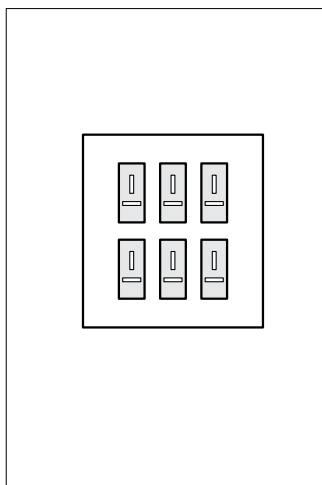
## Special accessories – for all extraordinary applications



**We have thought of everything: polarisation filter for reducing mutual interference of through-beam photoelectric switches, as well as slotted lens masks for focussing the emitted light paths, extend the applications for SICK sensors enormously. And, for high-temperature uses of SICK sensors, cooling plates for water cooling are the ultimate addition.**

# SICK

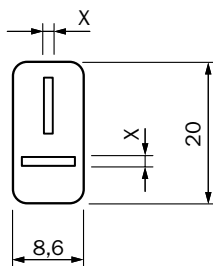
## SPECIAL ACCESSORIES



## BL-140

2 self-adhesive slotted lens masks for sender and receiver

Dimensional drawing



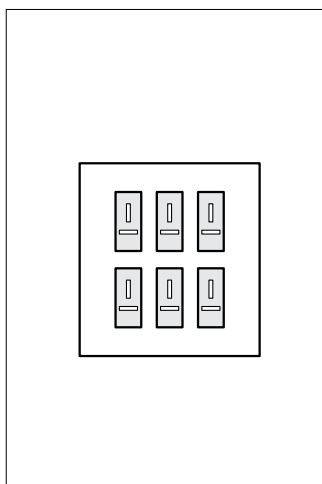
All dimensions in mm

### Technical data

Slot width X	0.5 mm
	1.0 mm
	2.0 mm

### Order informations

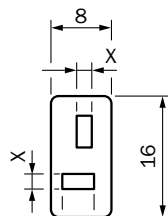
Type	Order no.
BL-140	5308458



## BL-150-10

Slotted mask, transmitter and receiver each have 2 self-adhesive masks

Dimensional drawing



All dimensions in mm

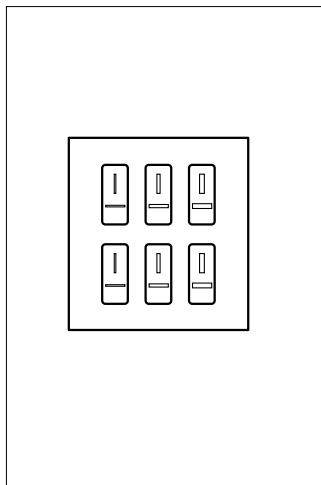
### Technical data

Slot width X	0.5 mm
	1.0 mm
	2.0 mm

### Order informations

Type	Order no.
BL-150-10	5306216

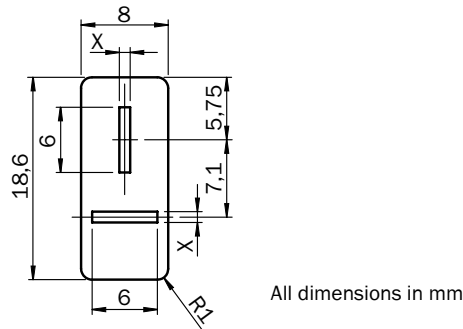




### BL-100-10

Stick-on polarizing filter,  
2 x X- and 2 x Y

Dimensional drawing



#### Technical data

Slot width X	0.5 mm
	1.0 mm
	2.0 mm

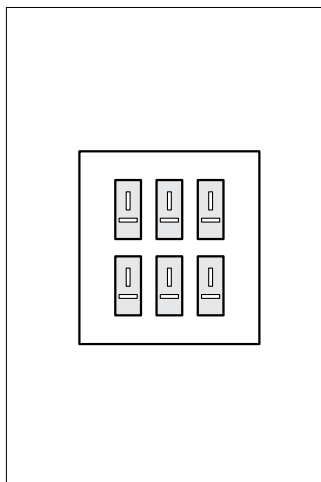
#### Order informations

Type	Order no.
BL-100-10	5314182



3 pairs included with apertures A, B, C.  
Self-adhesive backing for easy mounting.  
Apply stick-on mask to WS100 and  
WE100 front lens.  
For small object detection or increasing  
indexing accuracy.

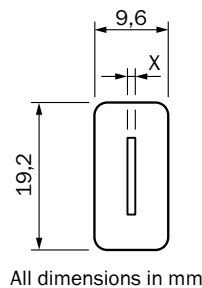
Operating ranges with apertures applied:  
A) Aperture 2.0 mm: Range = 4.0 m  
B) Aperture 1.0 mm: Range = 2.0 m  
C) Aperture 0.5 mm: Range = 1.0 m



### BL-160-10

Slotted mask, transmitter and receiver each  
have 2 self-adhesive masks

Dimensional drawing



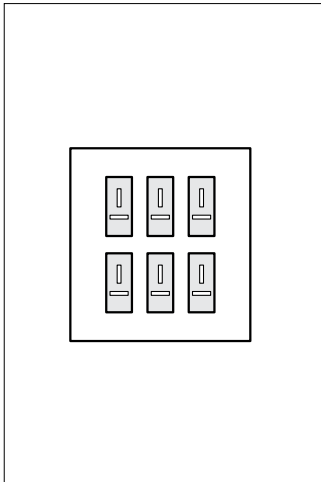
#### Technical data

Slot width X	0.5 mm
	1.0 mm
	2.0 mm

#### Order informations

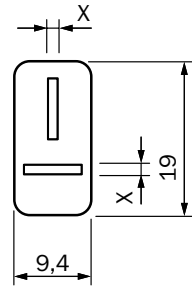
Type	Order no.
BL-160-10	5305196





**BL-160-SK**  
Slotted mask, transmitter and receiver  
each have 2 self-adhesive masks

Dimensional drawing



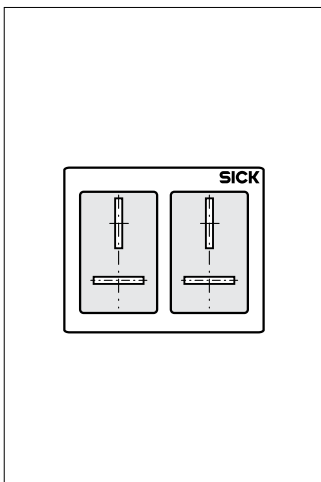
All dimensions in mm

**Technical data**

Slot width X	0.5 mm
	1.0 mm
	2.0 mm

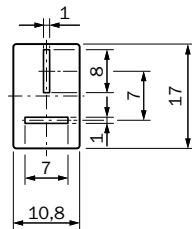
**Order informations**

Type	Order no.
BL-160-SK	5310718



**BL-170-10**  
2 self-adhesive slotted masks  
for transmitter and receiver

Dimensional drawing

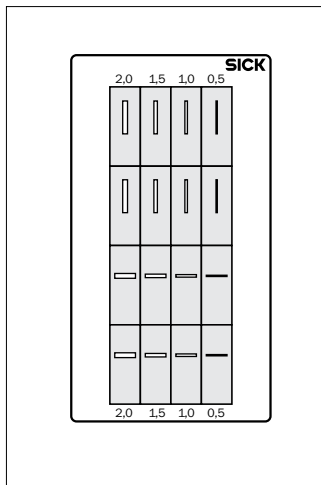


All dimensions in mm

**Order informations**

Type	Order no.
BL-170-10	5305687

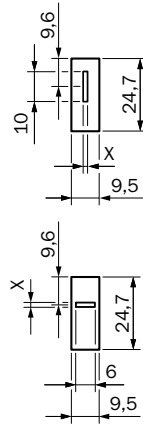




**BL-9-2**

Slotted mask, transmitter and receiver each have 2 self-adhesive masks

Dimensional drawing



All dimensions in mm

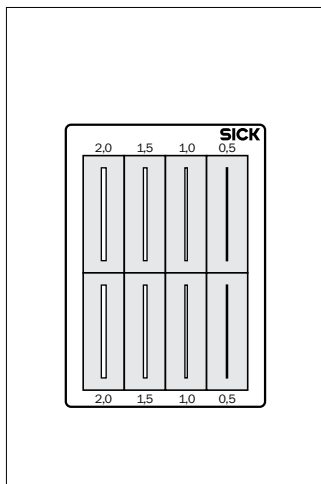


**Technical data**

Slot width X	0.5 mm
	1.0 mm
	1.5 mm
	2.0 mm

**Order informations**

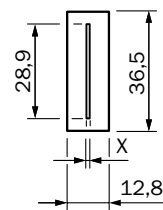
Type	Order no.
BL-9-2	4033253



**BL-12-SKN**

Slotted mask, transmitter and receiver each have 2 self-adhesive masks

Dimensional drawing



All dimensions in mm



**Technical data**

Slot width X	0.5 mm
	1.0 mm
	1.5 mm
	2.0 mm

**Order informations**

Type	Order no.
BL-12-SKN	4031815

Universal bar clamp systems

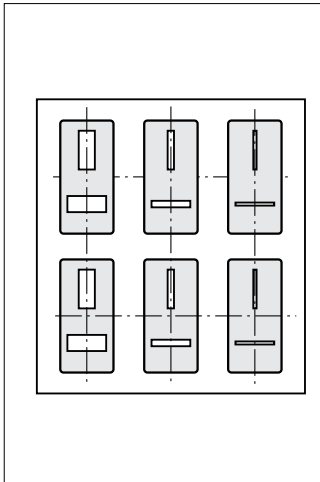
mounting brackets

Clamping and alignment brackets

protective devices

Mountings for cylinder sensors

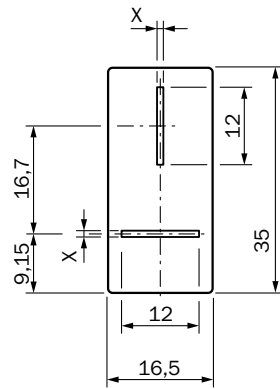
Special accessories



## BL-260-SK

Slotted mask, transmitter and receiver each have 2 self-adhesive masks

Dimensional drawing



All dimensions in mm



<sup>1)</sup> DC-design

### Technical data

Slot width X	0.5 mm
	1.0 mm
	2.0 mm

### Order informations

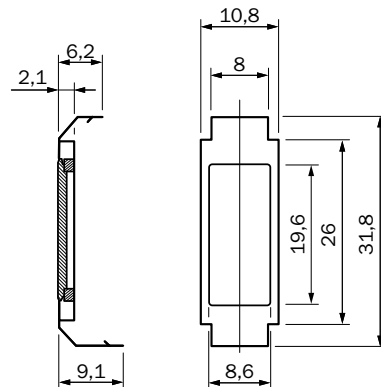
Type	Order no.
BL-260-SK	5308773



## BL-100-POLF

Front polarization filter

Dimensional drawing



All dimensions in mm



### Technical data

Delivery	2 x X- and 2 x Y-polarisation
----------	-------------------------------

### Order informations

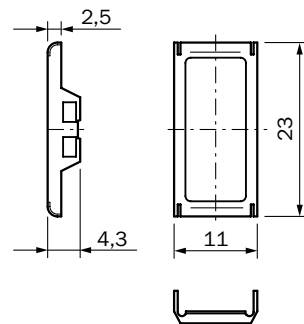
Type	Order no.
BL-100-POLF	5314702





**BL-140-POLF**  
Front polarization filter

Dimensional drawing



All dimensions in mm



**Technical data**

Delivery	2 x X- and 2 x Y-polarisation
----------	-------------------------------

**Order informations**

Type	Order no.
BL-140-POLF	5308457

Universal bar clamp systems

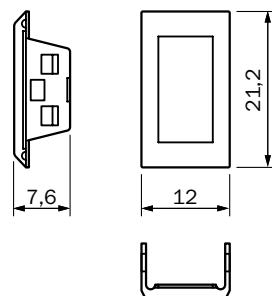
mounting brackets

Clamping and alignment brackets



**BL-170-POLF**  
Front polarization filter

Dimensional drawing



All dimensions in mm



**Technical data**

Delivery	2 x X- and 2 x Y-polarisation
----------	-------------------------------

**Order informations**

Type	Order no.
BL-170-POLF	5305688

protective devices

Mountings for cylinder sensors

Special accessories

Universal bar clamp systems

mounting brackets

Clamping and alignment brackets

protective devices

Mountings for cylinder sensors

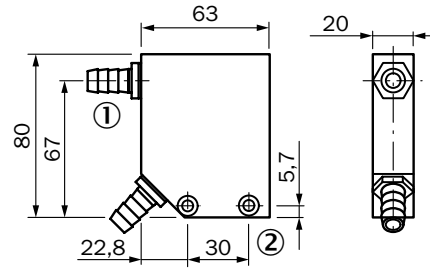
Special accessories



## BEF-KP-W24

Cooling plate for water cooling

Dimensional drawing



All dimensions in mm

- ① Hose nozzle R1/4"
- ② Tapped hole for countersunk screw M5

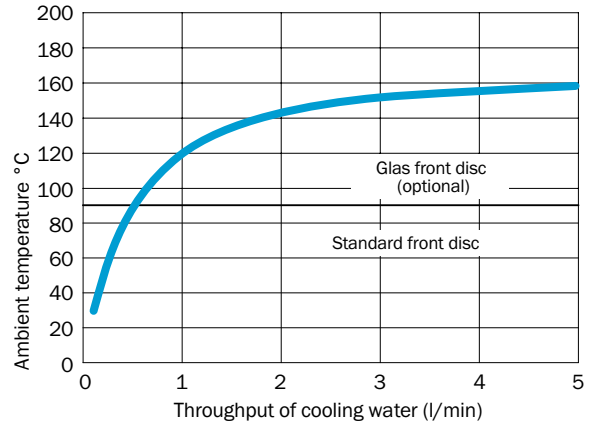


### Technical data

Material	Aluminium, anodised
Delivery	incl. mounting material

### Order informations

Type	Order no.
BEF-KP-W24	2015071



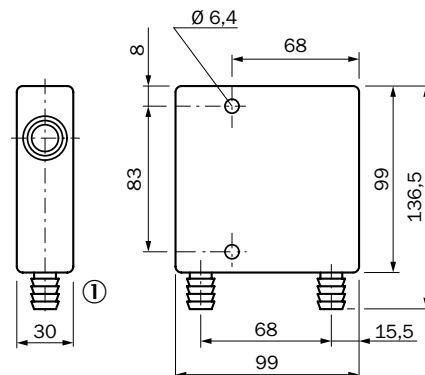
① Temperature for cooling water 20 °C, water pressure max. 5 bar



## BEF-KP-W45

Cooling plate for water cooling

Dimensional drawing



All dimensions in mm

- ① Hose nozzle R1/2"

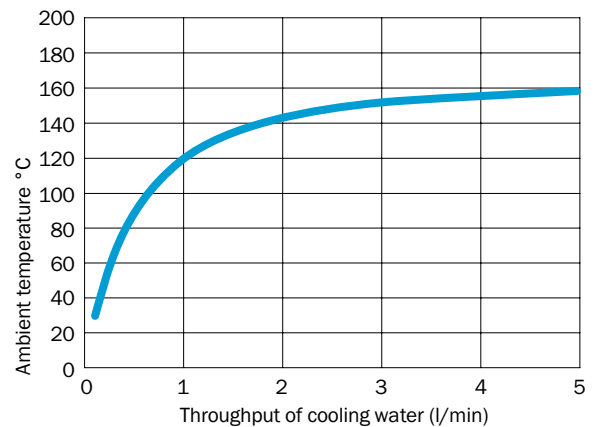


### Technical data

Material	Aluminium, anodised
Delivery	incl. mounting material

### Order informations

Type	Order no.
BEF-KP-W45	2011435



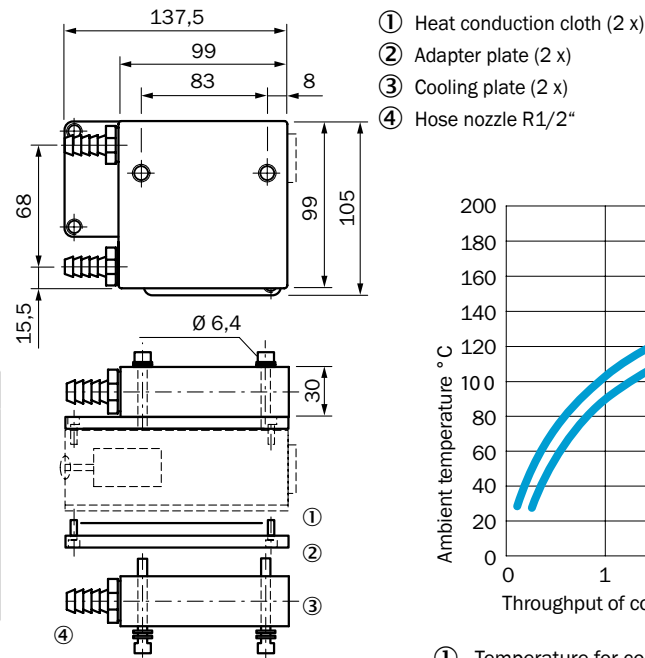
① Temperature for cooling water 20 °C, water pressure max. 5 bar



## BEF-KPM-DME

Cooling plate assembly kit for water cooling

Dimensional drawing



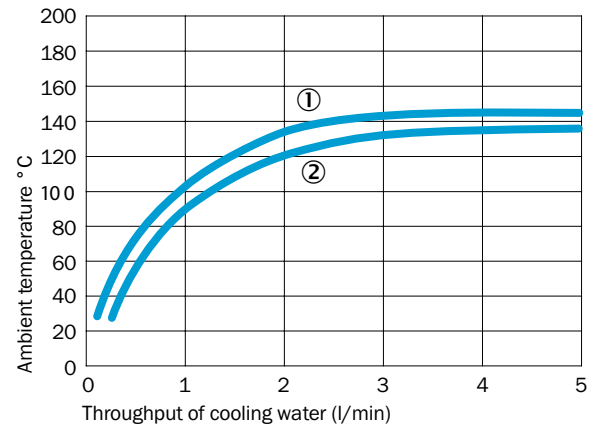
All dimensions in mm

### Technical data

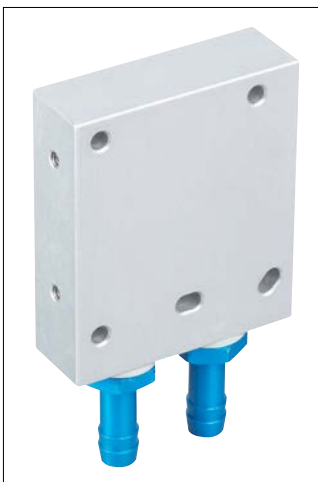
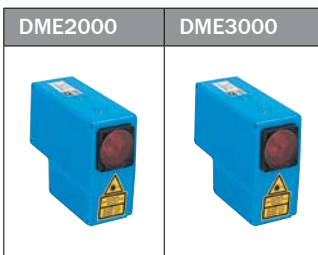
Material	Aluminium, anodised
Delivery	incl. mounting material

### Order informations

Type	Order no.
BEF-KPM-DME	2014457



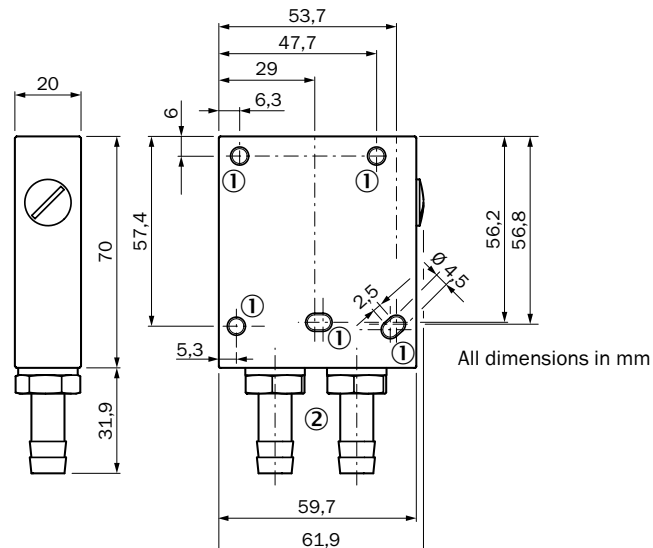
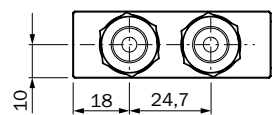
- ① Temperature for cooling water 20 °C
- ② Temperature for cooling water 30 °C



## BEF-KP-DX50

Cooling plate

Dimensional drawing



All dimensions in mm

### Technical data

Material	Aluminium, anodised
Delivery	incl. mounting material

### Order informations

Type	Order no.
BEF-KP-DX50	2055755



Order no.	Type	Page
1018470	WSG1-01	71
2005806	BEF-WN-W32	41
2009122	BEF-WN-W27	40
2009317	BEF-WN-W18	35
2011431	OBW-W45	73
2011432	OBS-W45	73
2011435	BEF-KP-W45	92
2011436	BEF-KK-W45	56
2011480	BEF-WN-W45	42
2012938	BEF-WK-W12	33
2013285	BEF-KH-W12	55
2013942	BEF-WG-W12	34
2013947	BEF-DKH-W12	55
2014457	BEF-KPM-DME	93
2015069	OBS-W24	70
2015070	OBW-W24	71
2015071	BEF-KP-W24	92
2015229	BEF-GH-DME	62
2015248	BEF-WN-W24	37
2017417	BEF-WN-WTR	47
2017567	BEF-WN-WLG12	49
2019084	BEF-WN-W14	34
2019085	BEF-WN-W23	36
2019649	Befestigungssatz 1	49
2019822	BEF-KS-U2-T1	83
2019823	BEF-KS-U2-P2	81
2019824	BEF-KS-U2-P1	81
2020796	BEF-GH-DMH2	65
2022702	BEF-KHZ-PT1	77
2022703	BEF-KHZ-ST1	77
2022855	BEF-WN-W9-2	33
2023160	BEF-GH-MINI01	54
2023240	OBW-KHS-M01	19/72
2023251	BEF-WN-OBW	72
2023696	BEF-NUT-MLG	50
2027721	BEF-AH-DME	63
2029100	BEF-WK-XLG	50
2031377	BEF-DSDT	64
2033270	BEF-W2S-C	68
2039601	BEF-SG-W27	19/70
2040541	BEF-RD30-PLG	60
2041045	BEF-NSIT-PLG	61
2041049	BEF-NSBO-PLG	61
2043770	BEF-EA-CM30	60
2045175	BEF-SG-W12-3	18

Order no.	Type	Page
2046052	BEF-DME/ISD	63
2046439	BEF-KHZ-TT1	78
2046440	BEF-KHZ-TT2	78
2046441	BEF-KHZ-TC1	79
2046442	BEF-KHZ-TC2	79
2048370	BEF-WN-DX50	48
2048397	BEF-AH-DX50	62
2051477	BEF-KH-M08	58
2051478	BEF-KHF-M08	58
2051479	BEF-KH-M12	57
2051480	BEF-KHF-M12	57
2051481	BEF-KH-M18	57
2051482	BEF-KHF-M18	57
2051497	BEF-SW-W4S	68
2051607	BEF-KHS-N08	17
2051608	BEF-KHS-N02	11
2051609	BEF-KHS-N03	12
2051610	BEF-KHS-N04	13
2051611	BEF-KHS-N05	14
2051612	BEF-KHS-N06	15
2051613	BEF-KHS-N07	16
2051616	BEF-KHS-N08N	17
2051618	BEF-KHS-N02N	11
2051619	BEF-KHS-N03N	12
2051620	BEF-KHS-N04N	13
2051621	BEF-KHS-N05N	14
2051622	BEF-KHS-N06N	15
2051623	BEF-KHS-N07N	16
2051628	BEF-W4-A	27
2051630	BEF-W4-B	28
2051786	BEF-WK-WTR	46
2055755	BEF-KP-DX50	93
2058124	BEF-SG-W14	18/69
2062372	BEF-KHS-N10	16
2062373	BEF-KHS-N10N	16
2064574	BEF-WN-REFX	26
4027532	BEF-WK-W24	37
4030922	BEF-KS-U2-S1	82
4031632	BEF-KS-U2-S1T	82
4031815	BL-12-SKN	89
4032937	BEF-WN-DS60	48
4033253	BL-9-2	89
4034748	BEF-W2S-A	26
4034749	BEF-W2S-B	27
4039533	BEF-WN-MH15-1	58

Order no.	Type	Page
4043524	BEF-WN-DT20	47
4053358	BEF-WN-MH15-2	59
4056052	BEF-MS12L-A	21
4056053	BEF-MS12L-B	21
4056054	BEF-MS12G-A	20
4056055	BEF-MS12G-B	20
4056056	BEF-MS12Z-A	21
4056057	BEF-MS12Z-B	21
4058912	BEF-MS12L-NA	21
4058913	BEF-MS12L-NB	21
4058914	BEF-MS12G-NA	20
4058915	BEF-MS12G-NB	20
4058916	BEF-MS12Z-NA	21
4058917	BEF-MS12Z-NB	21
5304819	BEF-W260	38
5305196	BL-160-10	87
5305197	BEF-W160	31
5305686	BEF-W170	32
5305687	BL-170-10	88
5305688	BL-170-POLF	91
5305850	BEF-W250	38
5306216	BL-150-10	86
5306217	BEF-W150-A	30
5306279	BEF-W150-B	31
5306369	BEF-KH-ISD	64
5306574	BEF-WLL170	42
5308098	BEF-W140A	29
5308445	BEF-WN-M30	46
5308446	BEF-WN-M18	45
5308447	BEF-WN-M12	44
5308457	BL-140-POLF	91
5308458	BL-140	86
5308519	BEF-W140-B	30
5308773	BL-260-SK	90
5309130	BEF-GH-DMT	65
5310718	BL-160-SK	88
5311171	BEF-KHZ-RT1-25	76
5311172	BEF-KHZ-RT1-63	76
5311362	BEF-W190	32
5311506	BEF-KHZ-RT1-130	76
5311520	BEF-W100-A	28
5311521	BEF-W100-B	29
5312973	BEF-WN-M18-ST02	59
5313011	BEF-EB01-W190	56
5313885	BEF-W280	39

Order no.	Type	Page
5314182	BL-100-10	87
5314702	BL-100-POLF	90
5320948	BEF-WG-M18N	45
5320949	BEF-WN-M12N	44
5320950	BEF-WG-M12(N)	44
5321721	BEF-WN-M08	43
5321722	BEF-WG-M08	43
5321869	BEF-WG-M12	44
5321870	BEF-WG-M18	45
5321878	BEF-RMC-D12	22
5322626	BEF-KHS-KH3	20
5322627	BEF-KHS-KH3N	20
7901753	BEF-S-R1-10	80
7901754	BEF-S-R1-12	80
7901755	BEF-S-R1-16	80
7901756	BEF-S-R1-20	80
7901757	BEF-S-R1-25	80
7901758	BEF-S-R1-32	80
7901759	BEF-S-R1-40	80
7901760	BEF-S-R1-50	80
7901761	BEF-S-R1-63	80
7901762	BEF-S-R2-16	83
7901763	BEF-S-R2-25	83
7901764	BEF-S-R2-30	83
7901765	BEF-S-R2-40	83
7901766	BEF-S-R2-50	83
7901767	BEF-S-R2-63	83
7901768	BEF-S-R2-80	83
7901769	BEF-S-R2-100	83
7902337	BEF-S-R1-08	80

Type	Order no.	Page
<b>B</b>		
Befestigungssatz 1	2019649	49
BEF-AH-DME	2027721	63
BEF-AH-DX50	2048397	62
BEF-DKH-W12	2013947	55
BEF-DME/ISD	2046052	63
BEF-DSDT	2031377	64
BEF-EA-CM30	2043770	60
BEF-EB01-W190	5313011	56
BEF-GH-DME	2015229	62
BEF-GH-DMH2	2020796	65
BEF-GH-DMT	5309130	65
BEF-GH-MINI01	2023160	54
BEF-KH-ISD	5306369	64
BEF-KH-M08	2051477	58
BEF-KH-M12	2051479	57
BEF-KH-M18	2051481	57
BEF-KH-W12	2013285	55
BEF-KHF-M08	2051478	58
BEF-KHF-M12	2051480	57
BEF-KHF-M18	2051482	57
BEF-KHS-N02	2051608	11
BEF-KHS-N02N	2051618	11
BEF-KHS-N03	2051609	12
BEF-KHS-N03N	2051619	12
BEF-KHS-N04	2051610	13
BEF-KHS-N04N	2051620	13
BEF-KHS-N05	2051611	14
BEF-KHS-N05N	2051621	14
BEF-KHS-N06	2051612	15
BEF-KHS-N06N	2051622	15
BEF-KHS-N07	2051613	16
BEF-KHS-N07N	2051623	16
BEF-KHS-N08	2051607	17
BEF-KHS-N08N	2051616	17
BEF-KHS-KH3	5322626	20
BEF-KHS-KH3N	5322627	20
BEF-KHS-N10	2062372	16
BEF-KHS-N10N	2062373	16
BEF-KHZ-PT1	2022702	77
BEF-KHZ-RT1-25	5311171	76
BEF-KHZ-RT1-63	5311172	76
BEF-KHZ-RT1-130	5311506	76
BEF-KHZ-ST1	2022703	77
BEF-KHZ-TC1	2046441	79

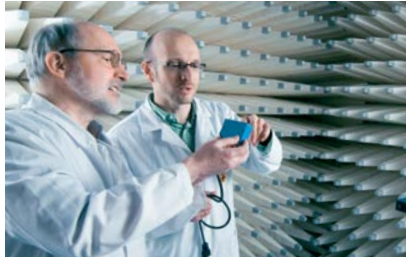
Type	Order no.	Page
BEF-KHZ-TC2	2046442	79
BEF-KHZ-TT1	2046439	78
BEF-KHZ-TT2	2046440	78
BEF-KK-W45	2011436	56
BEF-KP-W24	2015071	92
BEF-KP-W45	2011435	92
BEF-KP-DX50	2055755	93
BEF-KPM-DME	2014457	93
BEF-KS-U2-P1	2019824	81
BEF-KS-U2-P2	2019823	81
BEF-KS-U2-S1	4030922	82
BEF-KS-U2-S1T	4031632	82
BEF-KS-U2-T1	2019822	83
BEF-MS12G-A	4056054	20
BEF-MS12G-B	4056055	20
BEF-MS12G-NA	4058914	20
BEF-MS12G-NB	4058915	20
BEF-MS12L-A	4056052	21
BEF-MS12L-B	4056053	21
BEF-MS12L-NA	4058912	21
BEF-MS12L-NB	4058913	21
BEF-MS12Z-A	4056056	21
BEF-MS12Z-B	4056057	21
BEF-MS12Z-NA	4058916	21
BEF-MS12Z-NB	4058917	21
BEF-NSBO-PLG	2041049	61
BEF-NSIT-PLG	2041045	61
BEF-NUT-MLG	2023696	50
BEF-RD30-PLG	2040541	60
BEF-RMC-D12	5321878	22
BEF-S-R1-08	7902337	80
BEF-S-R1-10	7901753	80
BEF-S-R1-12	7901754	80
BEF-S-R1-16	7901755	80
BEF-S-R1-20	7901756	80
BEF-S-R1-25	7901757	80
BEF-S-R1-32	7901758	80
BEF-S-R1-40	7901759	80
BEF-S-R1-50	7901760	80
BEF-S-R1-63	7901761	80
BEF-S-R2-16	7901762	83
BEF-S-R2-25	7901763	83
BEF-S-R2-30	7901764	83
BEF-S-R2-40	7901765	83
BEF-S-R2-50	7901766	83

Type	Order no.	Page
BEF-S-R2-63	7901767	83
BEF-S-R2-80	7901768	83
BEF-S-R2-100	7901769	83
BEF-SG-W12-3	2045175	18
BEF-SG-W14	2058124	18/69
BEF-SG-W27	2039601	19/70
BEF-SW-W4S	2051497	68
BEF-W100-A	5311520	28
BEF-W100-B	5311521	29
BEF-W140A	5308098	29
BEF-W140-B	5308519	30
BEF-W150-A	5306217	30
BEF-W150-B	5306279	31
BEF-W160	5305197	31
BEF-W170	5305686	32
BEF-W190	5311362	32
BEF-W2S-A	4034748	26
BEF-W2S-B	4034749	27
BEF-W2S-C	2033270	68
BEF-W250	5305850	38
BEF-W260	5304819	38
BEF-W280	5313885	39
BEF-W4-A	2051628	27
BEF-W4-B	2051630	28
BEF-WG-M08	5321722	43
BEF-WG-M12	5321869	44
BEF-WG-M12(N)	5320950	44
BEF-WG-M18	5321870	45
BEF-WG-M18N	5320948	45
BEF-WG-W12	2013942	34
BEF-WK-W12	2012938	33
BEF-WK-W24	4027532	37
BEF-WK-WTR	2051786	46
BEF-WK-XLG	2029100	50
BEF-WLL170	5306574	42
BEF-WN-DS60	4032937	48
BEF-WN-DT20	4043524	47
BEF-WN-DX50	2048370	48
BEF-WN-M08	5321721	43
BEF-WN-M12	5308447	44
BEF-WN-M12N	5320949	44
BEF-WN-M18	5308446	45
BEF-WN-M18-ST02	5312973	59
BEF-WN-M30	5308445	46
BEF-WN-MH15-1	4039533	58

Type	Order no.	Page
BEF-WN-MH15-2	4053358	59
BEF-WN-OBW	2023251	72
BEF-WN-REFX	2064574	26
BEF-WN-W9-2	2022855	33
BEF-WN-W14	2019084	34
BEF-WN-W18	2009317	35
BEF-WN-W23	2019085	36
BEF-WN-W24	2015248	37
BEF-WN-W27	2009122	40
BEF-WN-W32	2005806	41
BEF-WN-W45	2011480	42
BEF-WN-WLG12	2017567	49
BEF-WN-WTR	2017417	47
BL-9-2	4033253	89
BL-100-10	5314182	87
BL-100-POLF	5314702	90
BL-12-SKN	4031815	89
BL-140	5308458	86
BL-140-POLF	5308457	91
BL-150-10	5306216	86
BL-160-10	5305196	87
BL-160-SK	5310718	88
BL-170-10	5305687	88
BL-170-POLF	5305688	91
BL-260-SK	5308773	90
<b>O</b>		
OBS-W24	2015069	70
OBS-W45	2011432	73
OBW-KHS-M01	2023240	19/72
OBW-W24	2015070	71
OBW-W45	2011431	73
<b>W</b>		
WSG1-01	1018470	71



## SICK at a glance



### Leading technologies

With a staff of more than 5,800 and nearly 50 subsidiaries and representations worldwide, SICK is one of the leading and most successful manufacturers of sensor technology. The power of innovation and solution competency have made SICK the global market leader. No matter what the project and industry may be, talking with an expert from SICK will provide you with an ideal basis for your plans – there is no need to settle for anything less than the best.



### Unique product range

- Non-contact detecting, counting, classifying, positioning and measuring of any type of object or media
- Accident and operator protection with sensors, safety software and services
- Automatic identification with bar code and RFID readers
- Laser measurement technology for detecting the volume, position and contour of people and objects
- Complete system solutions for analysis and flow measurement of gases and liquids



### Comprehensive services

- SICK LifeTime Services – for safety and productivity
- Application centers in Europe, Asia and North America for the development of system solutions under real-world conditions
- E-Business Partner Portal [www.mysick.com](http://www.mysick.com) – price and availability of products, requests for quotation and online orders

Worldwide presence with subsidiaries in the following countries:

Australia  
Belgium/Luxembourg  
Brasil  
Česká Republika  
Canada  
China  
Danmark  
Deutschland  
España  
France  
Great Britain  
India  
Israel  
Italia  
Japan

México  
Nederland  
Norge  
Österreich  
Polska  
România  
Russia  
Schweiz  
Singapore  
Slovenija  
South Africa  
South Korea  
Suomi  
Sverige  
Taiwan  
Türkiye  
United Arab Emirates  
USA

Please find detailed addresses and additional representatives and agencies in all major industrial nations at [www.sick.com](http://www.sick.com)