

Your Global Automation Partner

TURCK

RI...QR20...

Miniature Encoders

Instructions for Use



Contents

1	About These Instructions	5
1.1	Target groups.....	5
1.2	Explanation of symbols used	5
1.3	Other documents	5
1.4	Feedback about these instructions.....	5
2	Notes on the Product	6
2.1	Product identification.....	6
2.2	Scope of delivery	6
2.3	Manufacturer and service	7
3	For Your Safety	8
3.1	Intended use.....	8
3.2	Obvious misuse.....	8
4	Product Description	9
4.1	Device overview	9
4.1.1	Indication elements	10
4.2	Properties and features.....	10
4.3	Operating principle.....	10
4.4	Functions and operating modes	11
4.4.1	Current output.....	11
4.4.2	Voltage output.....	12
4.5	Technical accessories.....	14
5	Installing	15
5.1	Mounting the positioning element in the housing (mounting option 1)	15
5.2	Mounting the positioning element above the sensor housing (mounting option 2).....	16
6	Connection	17
6.1	Wiring diagrams – Devices with a current output	17
6.2	Wiring diagrams – Devices with a voltage output	18
7	Commissioning	19
8	Operation	20
8.1	LED indications	20
9	Troubleshooting	21
10	Maintenance	22
11	Repair	22
11.1	Returning devices.....	22
12	Decommissioning	22
13	Disposal	22
14	Technical Data	23
14.1	Technical data – RI...-QR20-LU.....	23
14.2	Technical data – RI...-QR20-LI...	25

1 About These Instructions

These operating instructions describe the structure, functions and the use of the product and will help you to operate the product as intended. Read these instructions carefully before using the product. This is to avoid possible damage to persons, property or the device. Retain the instructions for future use during the service life of the product. If the product is passed on, pass on these instructions as well.

1.1 Target groups

These instructions are aimed a qualified personal and must be carefully read by anyone mounting, commissioning, operating, maintaining, dismantling or disposing of the device.

1.2 Explanation of symbols used

The following symbols are used in these instructions:



DANGER

DANGER indicates a dangerous situation with high risk of death or severe injury if not avoided.



WARNING

WARNING indicates a dangerous situation with medium risk of death or severe injury if not avoided.



CAUTION

CAUTION indicates a dangerous situation of medium risk which may result in minor or moderate injury if not avoided.



NOTICE

NOTICE indicates a situation which may lead to property damage if not avoided.



NOTE

NOTE indicates tips, recommendations and useful information on specific actions and facts. The notes simplify your work and help you to avoid additional work.



CALL TO ACTION

This symbol denotes actions that the user must carry out.



RESULTS OF ACTION

This symbol denotes relevant results of actions.

1.3 Other documents

Besides this document the following material can be found on the Internet at www.turck.com:

- Data sheet

1.4 Feedback about these instructions

We make every effort to ensure that these instructions are as informative and as clear as possible. If you have any suggestions for improving the design or if some information is missing in the document, please send your suggestions to techdoc@turck.com.

2 Notes on the Product

2.1 Product identification

RI 360 P1 - QR20 - LU4 X2 - H1141



H1141 Electrical Connection

- Electrical Connection**
- Blank** Cable, open end
 - 0.15-DT04-3P** Deutsch DT connector, cable length 0.15 m
 - 0.24-AMP01-3P** AMP connector, cable length 0.24 m
 - H1141** M12 × 1 connector, straight, 4-pin, standard assignment



NOTE

The RI20..., RI40..., RI90... variants with a current output are only available on request.
The devices with a current output are only available with Deutsch or AMP connectors on request.

2.2 Scope of delivery

The scope of delivery includes:

- Encoder – sensor
- Positioning element
- Quick-Start Guide

2.3 Manufacturer and service

Hans Turck GmbH & Co. KG
Witzlebenstraße 7
45472 Mülheim an der Ruhr
Germany

Turck supports you with your projects, from initial analysis to the commissioning of your application. The Turck product database contains software tools for programming, configuration or commissioning, data sheets and CAD files in numerous export formats. You can access the product database at the following address: www.turck.de/products

For further inquiries in Germany contact the Sales and Service Team on:

- Sales: +49 208 4952-380
- Technology: +49 208 4952-390

Outside Germany, please contact your local Turck representative.

3 For Your Safety

The product is designed according to state-of-the-art technology. However, residual risks still exist. Observe the following warnings and safety notices to prevent damage to persons and property. Turck accepts no liability for damage caused by failure to observe these warning and safety notices.

3.1 Intended use

These devices are designed solely for use in industrial areas.

The miniature encoders of the RI...-QR20... series with an analog output are used for angle position measurement.

The devices may only be used as described in these instructions. Any other use is not in accordance with the intended use. Turck accepts no liability for any resulting damage.

3.2 Obvious misuse

- The devices are not safety components and must not be used for personal or property protection.

4 Product Description

The inductive miniature encoders of the RI...-QR20 series are available with measuring ranges from 20° to 360°. The sensor and the positioning element of the encoders are fully encapsulated and designed as two independent and sealed units with protection to IP68/IP69K and contactless operation.

The QR20 rotary encoders are provided with an analog output (0.5...4.5 V or 4...20 mA). The range in which angle movements can be measured is factory set.

Devices with a fixed default setting are available for the following angle ranges:

- 20°
- 40°
- 60°
- 90°
- 120°
- 240°
- 360°

4.1 Device overview

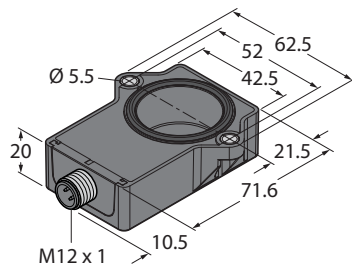


Fig. 1: QR20 miniature rotary encoder with M12 male connector

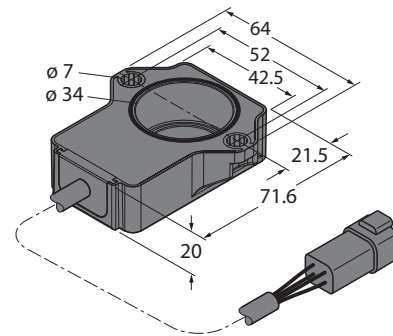


Fig. 2: QR20 miniature rotary encoder with Deutsch connector

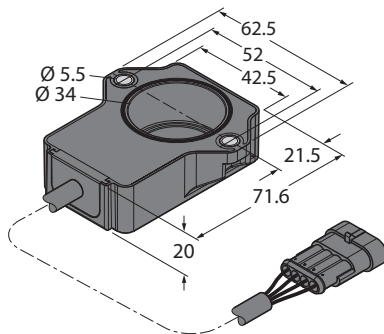


Fig. 3: QR20 miniature rotary encoder with AMP connector

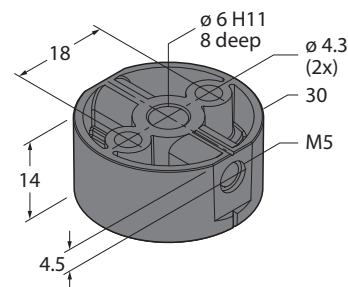


Fig. 4: P1-RI-QR20 positioning element

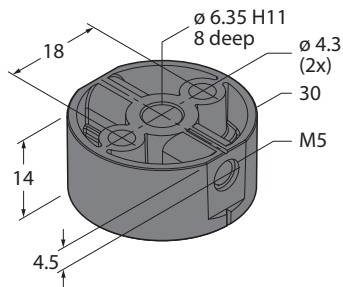


Fig. 5: P2-RI-QR20 positioning element

4.1.1 Indication elements

The devices are provided with two green LEDs for displaying operating voltage and device status.

4.2 Properties and features

- Rectangular, plastic
- Compact and robust housing
- Versatile mounting possibilities
- Measuring range indication via LED
- Immune to electromagnetic interference
- Degree of protection IP68/IP69K
- Protection from salt spray
- Resolution: 0.09°
- 3-wire
- Analog output 0.5...4.5 V or 4...20 mA

The RI...-LU4... miniature rotary encoders are also provided with the following features:

- For vehicle electrical systems, 12 V and 24 V
- Increased noise immunity 100 V/m based on e1 type approval
- Protection from line-conducted interference in accordance with DIN ISO 7637-2 (SAE J 113-11)
- Extended temperature range

4.3 Operating principle

The QR20 miniature encoders have contactless operation based on the inductive resonant circuit measuring principle. Measurement is immune to magnetic fields as the positioning element is not based on a magnet but on an inductive coil system, through which the sensor and the positioning element (resonator) can form an oscillation circuit. Sensor and positioning element form an inductive measuring system. An induced voltage generates appropriate signals in the receiver coils of the sensor, depending on the location of the positioning element. The signals are evaluated in the internal 16-bit processor of the sensor and output as analog signals. The QR20 is an absolute encoder and outputs a unique analog value for every shaft position.

4.4 Functions and operating modes

The devices are provided with an analog output (current or voltage). The device output supplies an analog signal corresponding to the location of the positioning element.

4.4.1 Current output

The RI...-QR20...-LI... devices are provided with a current output that supplies a current signal in the range of 4...20 mA, which corresponds to the location of the positioning element. If the positioning element is not detected, for example due to damage to the shaft, the output signal increases to a fault signal of 22 mA. The following figures show the current signal of the devices in relation to the particular angle ranges:

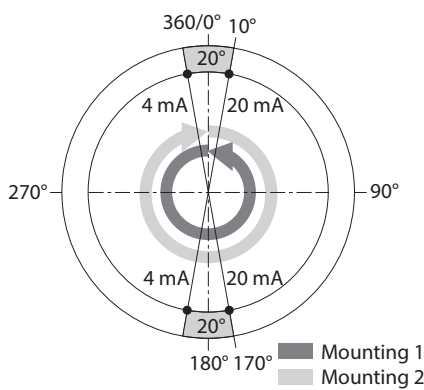


Fig. 6: RI20...

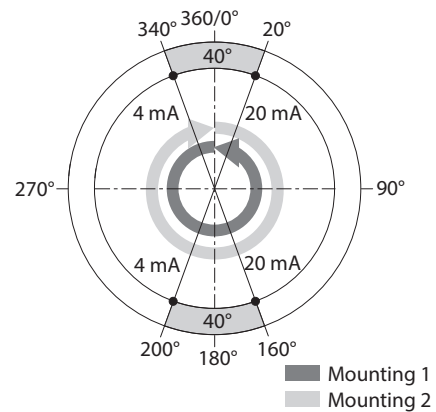


Fig. 7: RI40...

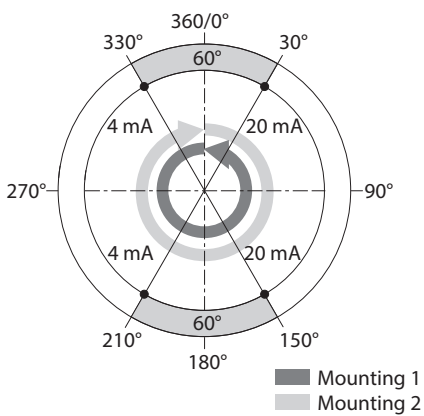


Fig. 8: RI60...

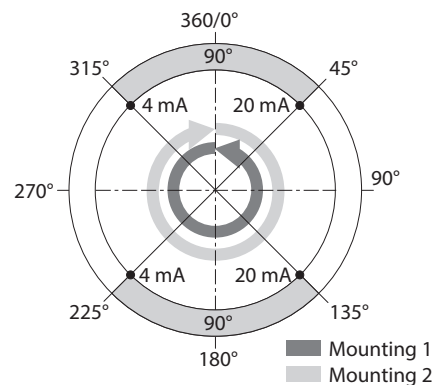


Fig. 9: RI90...

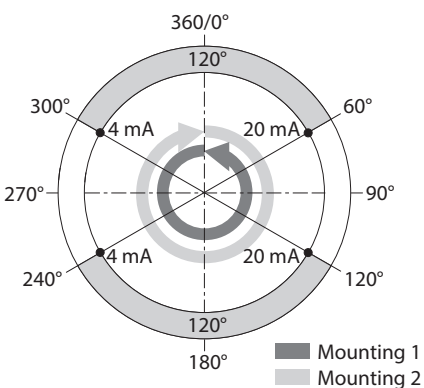


Fig. 10: RI120...

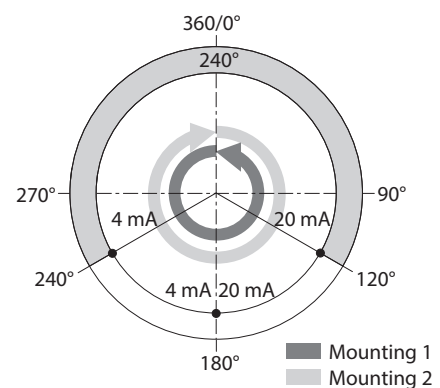


Fig. 11: RI240...

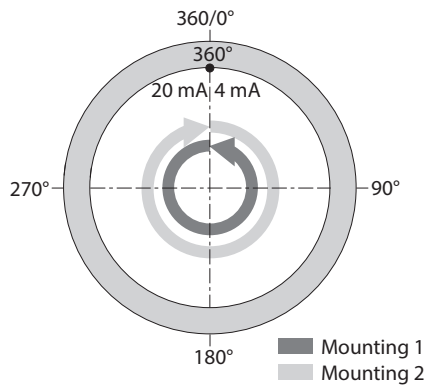


Fig. 12: RI360...

4.4.2 Voltage output

The RI...-QR20...-LU... devices are provided with a voltage output that outputs a voltage signal in the range from 0.5...4.5 V, which corresponds to the location of the positioning element. If the positioning element is not detected, for example due to damage to the shaft, the output signal increases to a fault level of 5 V. The following figures show the voltage signal of the devices in relation to the particular angle ranges:

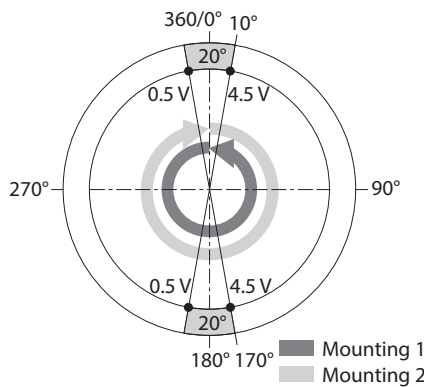


Fig. 13: RI20...

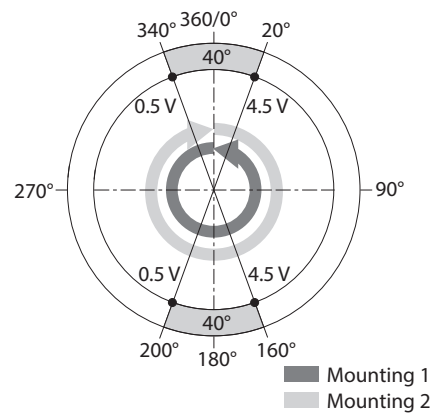


Fig. 14: RI40...

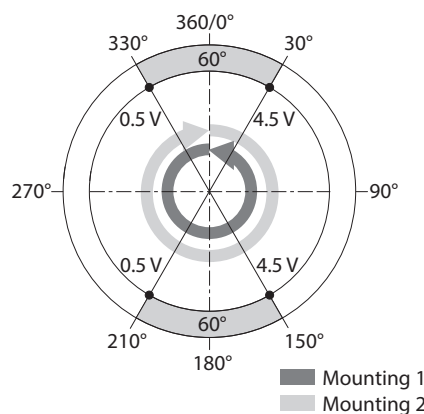


Fig. 15: RI60...

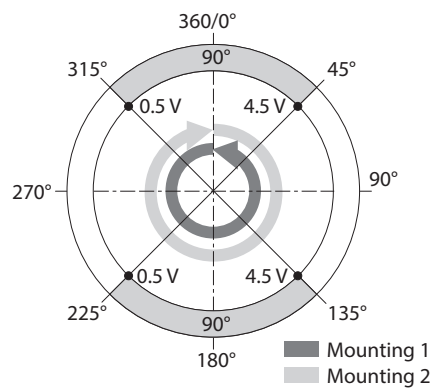


Fig. 16: RI90...

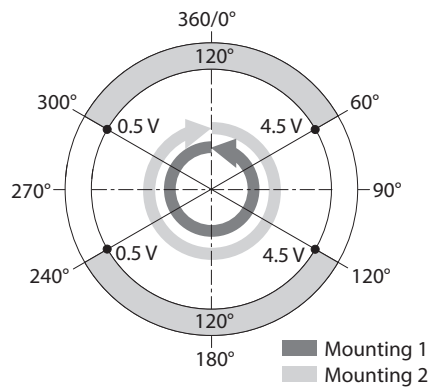


Fig. 17: RI120...

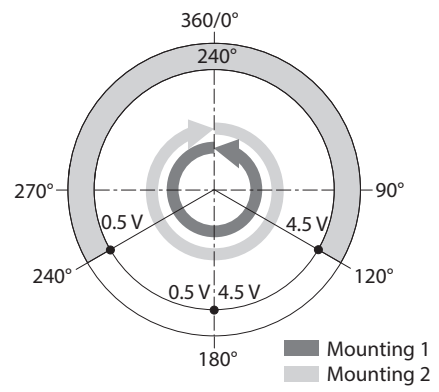


Fig. 18: RI240...

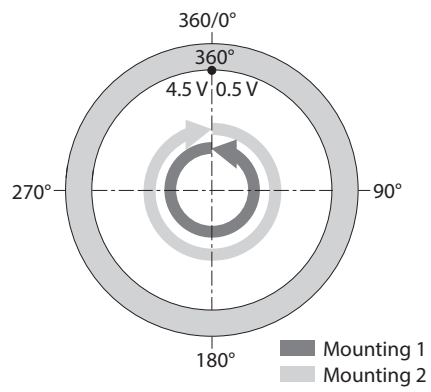


Fig. 19: RI360...

4.5 Technical accessories

Dimension drawing	Type	Ident no.	Description
	RKC4.4T-2/ TEL	6625013	Connection cable, M12 female connector, straight, 4-pole, cable length: 2 m, sheathing material: PVC, black; cULus approval; other cable lengths and types available, see www.turck.com
	RKS4.4T-2/ TEL	6626321	Connection cable, M12 female connector, straight, 4-pin shield connected to coupling nut/screw, cable length: 2 m, sheathing material: PVC, black; cULus approval; other cable lengths and types available, see www.turck.com
	P1-RI-QR20	1593041	Positioning element for RI-QR20 rotary encoder, for \varnothing 6 mm shafts
	P2-RI-QR20	1593042	Positioning element for RI-QR20 rotary encoder, for \varnothing 6.35 mm shafts

5 Installing

There are two mounting options for the rotary encoder:

- Mount the positioning element in the housing so that it is fully surrounded by the housing (mounting option 1).
- Mount the positioning element above the sensor housing (mounting option 2).

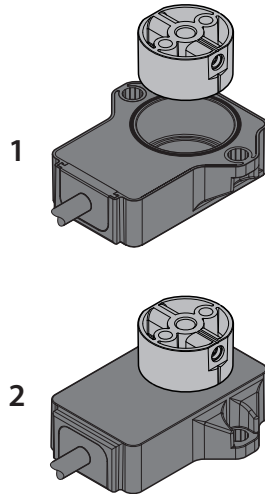


Fig. 20: Mounting types

5.1 Mounting the positioning element in the housing (mounting option 1)

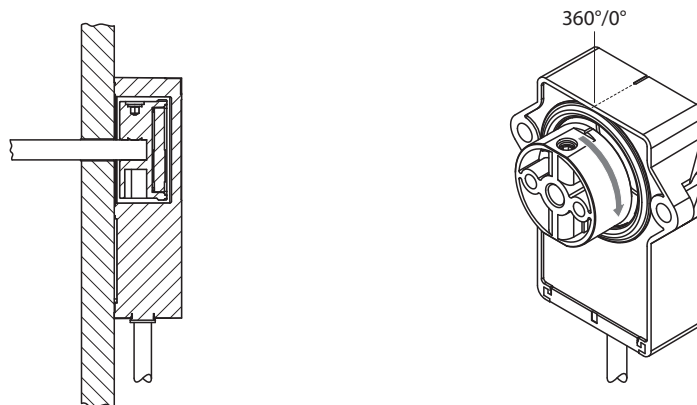


Fig. 21: Mounting the positioning element in the housing Fig. 22: Aligning the positioning element

- ▶ Push the positioning element onto the shaft.
- ▶ Fasten the positioning element on the shaft.
- ▶ Place the encoder sensor with the front facing the shaft over the positioning element and align to the required position of the zero point. The positioning element has the correct clearance if the opening of the sensor is flush with the shaft.
- ▶ Fasten the encoder with two screws in order to produce a closed and protected unit.

5.2 Mounting the positioning element above the sensor housing (mounting option 2)

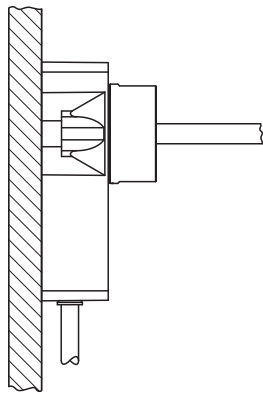


Fig. 23: Mounting the positioning element above the sensor housing

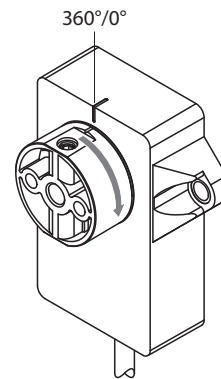


Fig. 24: Aligning the positioning element

- ▶ Fasten the encoder sensor with two screws in the surrounding area and with the rear facing the shaft.
- ▶ Push the positioning element onto the shaft and align to the required position of the zero point.
- ▶ Fasten the positioning element on the shaft.

6 Connection

The miniature encoder is provided with an analog output and is available in the following connection variants:

- M12 connector
- Cable outlet
- Cable with 3-pin AMP connector (only RI...LU4...)
- Cable with 3-pin Deutsch connector (only RI...LU4...)



NOTICE

Faulty connection
Risk of damage

- ▶ Ensure correct connection.



NOTE

Turck recommends the use of shielded connection cables.

- ▶ Ensure that the entire plant is in a de-energized state during the electrical installation.
- ▶ Connect the female connector of the connection cable to the male connector of the device.

6.1 Wiring diagrams – Devices with a current output

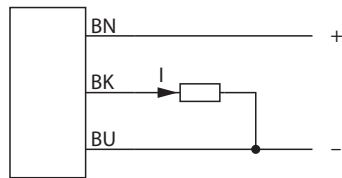


Fig. 25: Cable connection – Wiring diagram

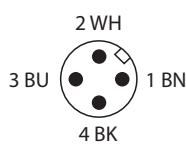


Fig. 26: M12 connector – Pin layout

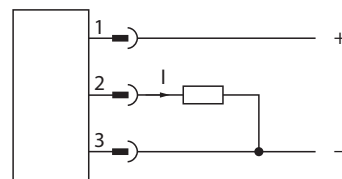


Fig. 27: M12 connector – Wiring diagram

6.2 Wiring diagrams – Devices with a voltage output

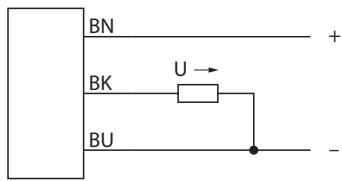


Fig. 28: Cable connection – Wiring diagram

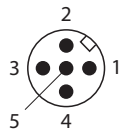


Fig. 29: M12 connector – Pin layout

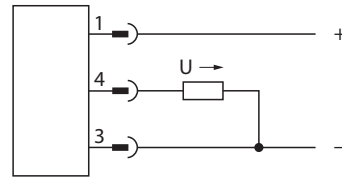


Fig. 30: M12 plug connector – Wiring diagram

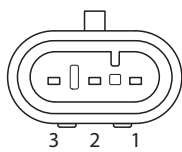


Fig. 31: AMP connector – Pin layout

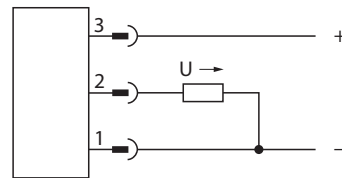


Fig. 32: AMP connector – Wiring diagram

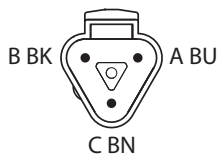


Fig. 33: Deutsch connector – Pin layout

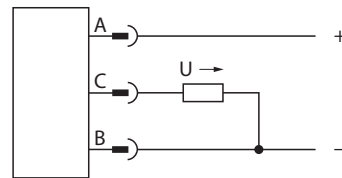


Fig. 34: Deutsch connector – Wiring diagram

7 Commissioning

After connecting and switching on the power supply, the device is automatically ready for operation.

8 Operation

8.1 LED indications

LED indication	Meaning
Green	Sensor power supply correct.
Green flashing	Positioning element is within the measuring range with reduced signal quality (e.g. gap too large).
Off	Positioning element is not within the measuring range or no power supply available.

9 Troubleshooting

The strength of the resonance coupling is indicated by an LED. Any faults are indicated via the LEDs.

If the device does not function as expected, first check whether ambient interference is present. If there is no ambient interference present, check the connections of the device for faults.

If there are no faults, there is a device malfunction. In this case, decommission the device and replace it with a new device of the same type.

10 Maintenance

Ensure that the plug connections and cables are always in good condition.

The devices are maintenance-free, clean dry if required.

11 Repair

The device must not be repaired by the user. The device must be decommissioned if it is faulty. Observe our return acceptance conditions when returning the device to Turck.

11.1 Returning devices

Returns to Turck can only be accepted if the device has been equipped with a Decontamination declaration enclosed. The decontamination declaration can be downloaded from <https://www.turck.de/en/retoure-service-6079.php> and must be completely filled in, and affixed securely and weather-proof to the outside of the packaging.

12 Decommissioning

- ▶ Disconnect the connection cable from the power supply and/or processing units.
- ▶ Disconnect the connection cable from the device.
- ▶ Undo the connections of the device or if necessary the mounting aid for the mounting area.
- ▶ If present: Undo the connection between the device and the mounting aid.

13 Disposal



The devices must be disposed of correctly and must not be included in normal household garbage.

14 Technical Data

14.1 Technical data – RI...-QR20-LU...

Technical data	
Measuring principle	Inductive
Starting torque, shaft load (radial/axial)	not applicable with contactless measuring principle
Resolution	0.09°
Measuring range	0...360°
Nominal distance	1 mm
Repetition accuracy	≤ 0.025 % of full scale
Linearity tolerance	≤ 0.9 % of full scale
Temperature drift	≤ ± 0.01 % / K
Ambient temperature	-40...+85 °C
Storage temperature	-40...+125 °C
Temperature changes (EN 60068-4-2)	-40...+85 °C, 20 cycles
Operating voltage	8...30 VDC
Ripple	≤ 10 % U _{ss}
Insulation test voltage	≤ 0.5 kV
Short-circuit protection	Yes
Wire breakage / reverse polarity protection	No/yes (voltage supply)
Output type	Absolute singleturn
Output function	3-wire, analog output
Voltage output	0.5...4.5 V
Diagnostics	Positioning element not detected: Output signal 5 V
Load resistance voltage output	≥ 4.7 kΩ
Sampling rate	800Hz
Load dump protection (DIN ISO 7637-2)	Severity degree IV/Level 4
Current consumption	< 100 mA
Design	
Dimensions	71.6 × 62.5 × 20 mm
Flange type	Flange without mounting bracket
Shaft type	Blind hole shaft
Shaft diameter D	6 mm 6.35 mm
Housing material	Plastic, Ultem
Electrical connection	RI...-QR20-LU4X2: Cable RI...-QR20-LU4X2-H1141: Connector, M12, 4-pin RI...-QR20...-DT04-3P: Cable with male connector, Deutsch DT04-3P RI...-QR20...-AMP01-3P: Cable with male connector, AMP Superseal
Cable quality	Ø 5.2 mm, Lif32Y32Y, TPE
Cable cross section	3 × 0.5 mm ²

Technical data	
Vibration resistance	55 Hz (1 mm)
Vibration resistance (EN 60068-2-6)	20 g, 10...3000 Hz, 50 cycles, 3 axes
Shock resistance (EN 60068-2-27)	100 g, 11 ms ½ sine; each 3 ×, 3 axes
Continuous shock resistance (EN 60068-2-29)	40 g, 6 ms ½ Sinus, 4000 × each, 3 axes
Salt mist test (EN 60068-2-52)	Degree of severity 5 (4 test cycles)
Type of protection	IP68/IP69K
MTTF	423 years to SN 29500 (Ed. 99) 40 °C
LED indications	
Measuring range indication	Multifunction LED green, green flashing

14.2 Technical data – RI...-QR20-LI...

Technical data	
Measuring principle	Inductive
Starting torque, shaft load (radial/axial)	Not applicable with contactless measuring principle
Resolution	0.09°
Measuring range	0...360°
Nominal distance	1 mm
Repetition accuracy	≤ 0.025 % of full scale
Linearity tolerance	≤ 0.9 % of full scale
Temperature drift	≤ ± 0.02 % / K
Ambient temperature	-25...+70 °C
Operating voltage	15...30 VDC
Ripple	≤ 10 % U _{ss}
Insulation test voltage	≤ 0.5 kV
Short-circuit protection	Yes
Wire breakage / reverse polarity protection	yes/completely
Output type	Absolute singleturn
Output function	3-wire, analog output
Voltage output	4...20 mA
Diagnostics	Positioning element not detected: Output signal 22 mA, (typ.)
Load resistance voltage output	≤ 0.4 kΩ
Sampling rate	500 Hz
Current consumption	<100 mA
Design	
Dimensions	71.6 × 62.5 × 20 mm
Flange type	Flange without mounting bracket
Shaft type	Blind hole shaft
Shaft diameter D	6 mm 6.35 mm
Housing material	Plastic, Ultem
Electrical connection	RI...-QR20-LI2X2: Cable RI...-QR20-LI2X2-H1141: Connector, M12, 4-pin
Cable quality	Ø 5.2 mm, Lif32Y32Y, TPE
Cable cross section	3 × 0.5 mm ²
Vibration resistance	55 Hz (1 mm)
Vibration resistance (EN 60068-2-6)	20 g, 10...3000 Hz, 50 cycles, 3 axes
Shock resistance (EN 60068-2-27)	100 g, 11 ms ½ sine; each 3 ×, 3 axes
Continuous shock resistance (EN 60068-2-29)	40 g, 6 ms ½ Sinus, 4000 × each, 3 axes
Type of protection	IP68/IP69K
MTTF	348 years to SN 29500 (Ed. 99) 40 °C
LED indications	
Measuring range indication	Multifunction LED green, green flashing

TURCK

Over 30 subsidiaries and over
60 representations worldwide!

100001183 | 2020/04



www.turck.com