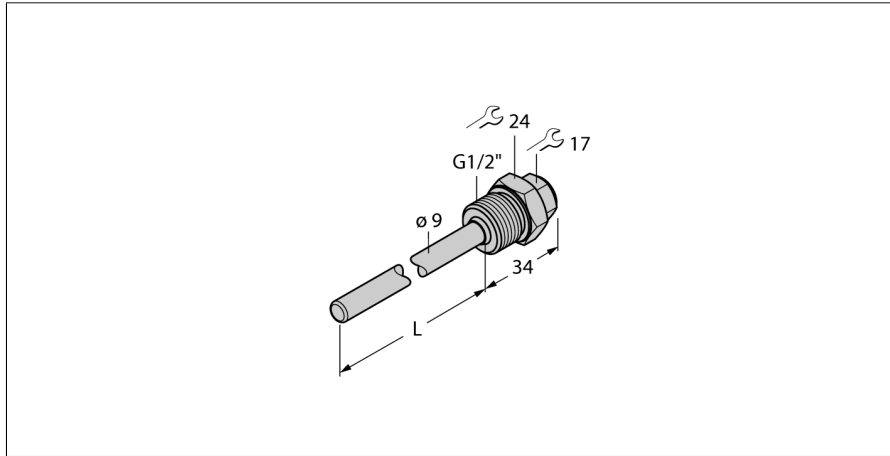


Accessories
Thermowell
For Temperature Sensors
THW-6-G1/2-A4-L100



- Thermowell for mounting temperature probes
- End tip diameter 6 mm
- Process connection G1/2" male thread
- Immersion depth 100 mm

General description

Thermowells protect the probes against aggressive substances and high pressures. The probes do not come into contact with any media. They can be replaced without interrupting the process.

Type designation	THW-6-G1/2-A4-L100
Ident-No.	9910460
Type	THW-6-G1/2-A4-L100
Ident. no.	9910460
Temperature range	
Measuring range	-50...350 °C
Temperature operating range	-58...662 °F
Immersion depth (L)	100 mm
Housing	
Housing material	Stainless steel, V4A (1.4404)
Internal diameter	7 mm
Process connection	G 1/2" male thread
Process Pressure	400 bar
Max. tightening torque housing nut	100 Nm