

## Datasheet

For Operator-Controlled Activation of EZ-LIGHT Products



- Manually operated controllers for Andon, call-for-parts and machine status indication
- For use with PNP input EZ-LIGHTS
- Models available with toggle switches or rotary switch
- Versatile mounting options
- The toggle switch model can control up to 5 indicators simultaneously



### WARNING: Not To Be Used for Personnel Protection

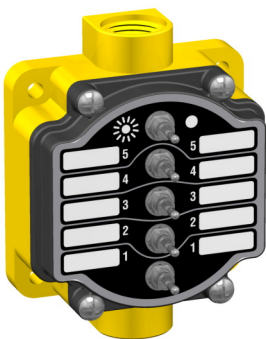
Never use this device as a sensing device for personnel **protection**. Doing so could lead to serious injury or death. This device does not include the self-checking redundant circuitry necessary to allow its use in personnel safety applications. A sensor failure or malfunction can cause either an energized or de-energized sensor output condition.

## Models

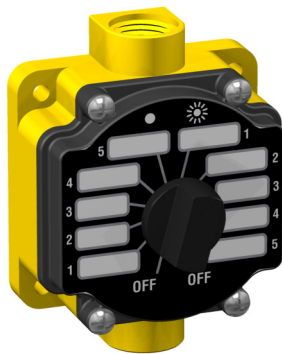
Model	Description	Switch Function
LC80T	5 toggle switches	ON-OFF-FLASH
LC80R	12 position rotary switch	

## Switch Positions and Function

Toggle switch models: the middle switch position turns the corresponding color OFF.



Rotary switch models: the two OFF positions turn the indicator OFF.



Switch	Color	Function	
1	1	Flash	ON Steady
2	2		
3	3		
4	4		
5	5		



## DIP Switch **Settings** for Flash Rates

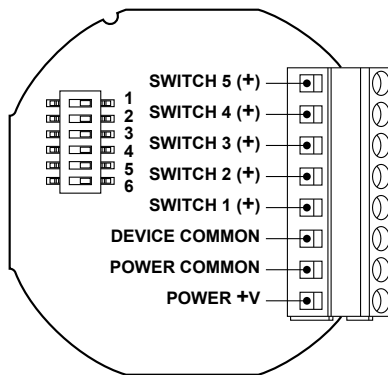
Some microprocessor-controlled EZ-LIGHTs have a delayed startup and are not fully compatible with flash rates listed. Consult Banner Engineering for more information.

DIP switch positions refer to the toggle switch model, unless otherwise indicated.

DIP Switch <b>Position</b>						ON Time (seconds)	OFF Time (seconds)
SW 1	SW 2	SW 3	SW 4	SW 5	SW 6		
OFF	OFF	NA	OFF	OFF	NA	1.0	1.0
ON	OFF	NA	ON	OFF	NA	0.5	0.5
OFF	ON (OFF*)	NA	OFF	OFF (ON*)	NA	0.05	1.0
OFF	ON	NA	OFF	ON	NA	0.05	0.5

\*Rotary model

## Wiring Diagram



Connections: Field-wired through either of two ½-14 ports in housing.

Order separately: Optional ½-14 NPSM cord grip model BWA-CG.5-1. Cord grip handles cable diameters 4.3 mm to 11.4 mm. One cord grip required for each port used for wiring.

## Specifications

### Supply Voltage

30 V dc maximum; minimum equal to the minimum voltage required for the indicator +2 V dc  
 Example: TL50 operating voltage without controller: 18 V dc to 30 V dc; TL50 operating voltage with controller: 20 V dc to 30 V dc

### Construction

Housing: Polycarbonate  
 Toggle switches: Chrome-plated brass  
 Rotary Switch: Nylon with phenolic knob

### Environmental Rating

IEC IP50

### Operating Conditions

-30° to +50° C (-22° to +122° F)

### Certifications



### Output Loads (Colors 1-5)

#### Toggle Switch Model (Solid ON and Flash Mode)

- Individual outputs: 200 mA max. for each output (when operated one at a time)
- Multiple outputs: 700 mA max. divided between the individual outputs (not to exceed the max. for any one output)

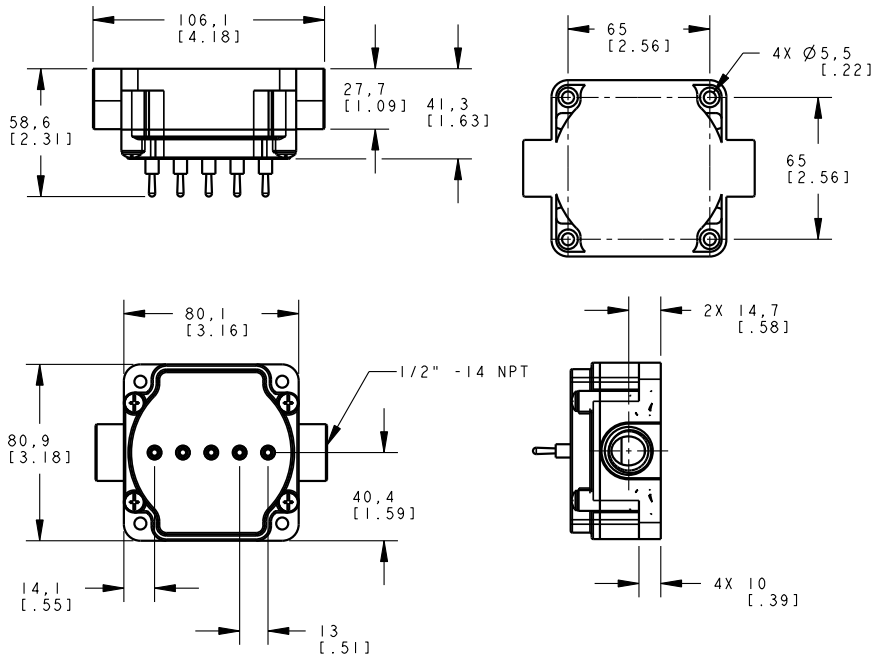
#### Toggle Switch Model (Flash Mode)

- Individual outputs: 200 mA max. for each output (when operated one at a time)
- Multiple outputs: 500 mA max. divided between the individual outputs (not to exceed the max. for any one output)

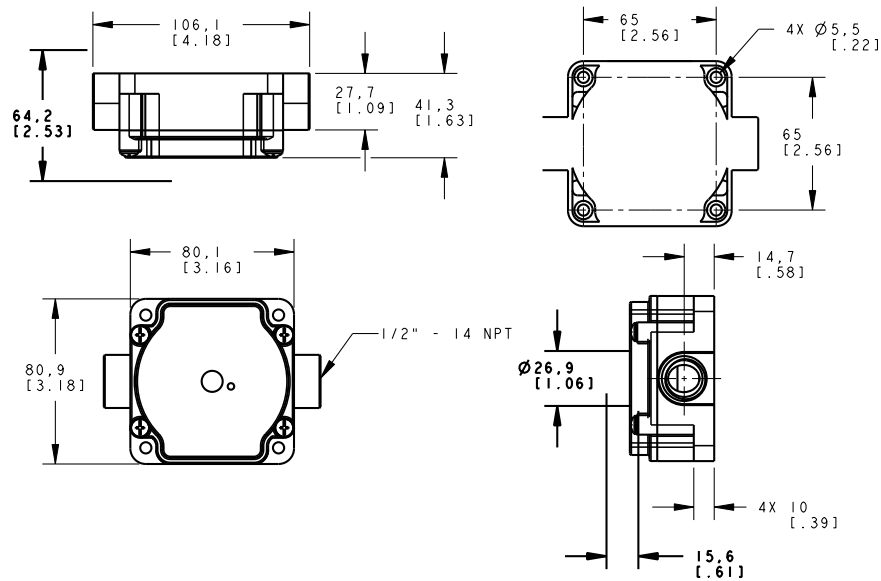
#### Rotary Switch Model (Solid ON and Flash Mode)

- Individual outputs: 200 mA max. for each output (when operated one at a time)

### LC80T Dimensions



### LC80R Dimensions



**Mounting Hardware Included:**

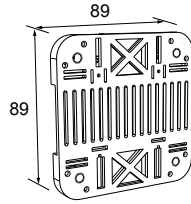
- 4 - M5 x 0.8 x 35 mm SS screws
- 4 - M5 x 0.8 SS Hex Nuts
- 4 - M5 lockwashers
- 4 - Nylon spacers (12.7 mm tall)

## Accessories

### Mounting Bracket

SMBDX80DIN

Black reinforced thermoplastic  
Bracket for mounting on a 35  
mm DIN rail



### Elevated Mounting Systems

Model		Features	Components
SA-M30TE12 For use with TL50 Tower Light or CL50 Column Light		<ul style="list-style-type: none"> <li>Streamlined acetal stand-off pipe adapter/cover</li> <li>Connects between light and ½" NPSM/DN15 pipe</li> <li>Mounting hardware included</li> </ul>	
SA-M30E12 For use with K50 model lights			
Stainless Steel	Aluminum	<ul style="list-style-type: none"> <li>Elevated-use stand-off pipe (½" NPSM/DN15)</li> <li>Polished 304 stainless steel or anodized aluminum surface</li> <li>½ NPT thread at both ends</li> <li>Compatible with most industrial environments</li> <li>Can connect directly to Controller port</li> </ul>	
SOP-E12-150SS 150 mm (6") long	SOP-E12-150A 150 mm (6") long		
SOP-E12-300SS 300 mm (12") long	SOP-E12-300A 300 mm (12") long		
SOP-E12-900SS 900 mm (36") long	SOP-E12-900A 900 mm (36") long		
SA-E12M30		<ul style="list-style-type: none"> <li>Streamlined acetal mounting base adapter/cover</li> <li>Connects between ½" NPSM/DN15 pipe and 30 mm (1-3/16") drilled hole</li> <li>Mounting hardware included</li> </ul>	

## Banner Engineering Corp. Limited Warranty

Banner Engineering Corp. warrants its products to be free from defects in material and workmanship for one year following the date of shipment. Banner Engineering Corp. will repair or replace, free of charge, any product of its manufacture which, at the time it is returned to the factory, is found to have been defective during the warranty period. This warranty does not cover damage or liability for misuse, abuse, or the improper application or installation of the Banner product.

THIS LIMITED WARRANTY IS EXCLUSIVE AND IN LIEU OF ALL OTHER WARRANTIES WHETHER EXPRESS OR IMPLIED (INCLUDING, WITHOUT LIMITATION, ANY WARRANTY OF MERCHANTABILITY OR FITNESS FOR A PARTICULAR PURPOSE), AND WHETHER ARISING UNDER COURSE OF PERFORMANCE, COURSE OF DEALING OR TRADE USAGE.

This Warranty is exclusive and limited to repair or, at the discretion of Banner Engineering Corp., replacement. IN NO EVENT SHALL BANNER ENGINEERING CORP. BE LIABLE TO BUYER OR ANY OTHER PERSON OR ENTITY FOR ANY EXTRA COSTS, EXPENSES, LOSSES, LOSS OF PROFITS, OR ANY INCIDENTAL, CONSEQUENTIAL OR SPECIAL DAMAGES RESULTING FROM ANY PRODUCT DEFECT OR FROM THE USE OR INABILITY TO USE THE PRODUCT, WHETHER ARISING IN CONTRACT OR WARRANTY, STATUTE, TORT, STRICT LIABILITY, NEGLIGENCE, OR OTHERWISE.

Banner Engineering Corp. reserves the right to change, modify or improve the design of the product without assuming any obligations or liabilities relating to any product previously manufactured by Banner Engineering Corp. Any misuse, abuse, or improper application or installation of this product or use of the product for personal protection applications when the product is identified as not intended for such purposes will void the product warranty. Any modifications to this product without prior express approval by Banner Engineering Corp will void the product warranties. All specifications published in this document are subject to change; Banner reserves the right to modify product specifications or update documentation at any time. Specifications and product information in English supersede that which is provided in any other language. For the most recent version of any documentation, refer to:

[www.bannerengineering.com](http://www.bannerengineering.com).