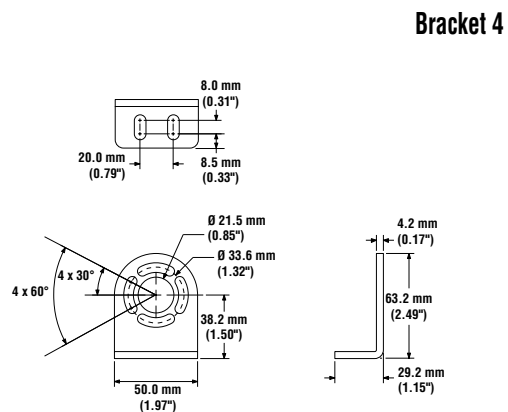
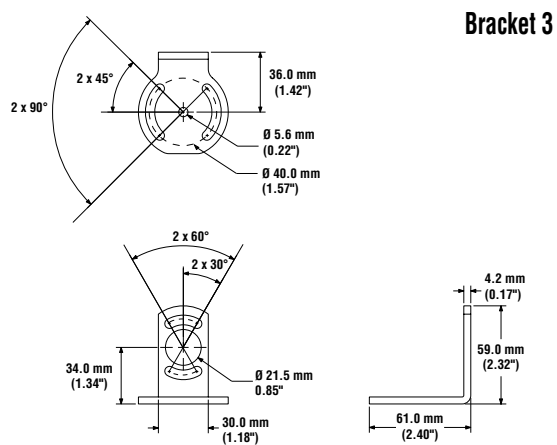
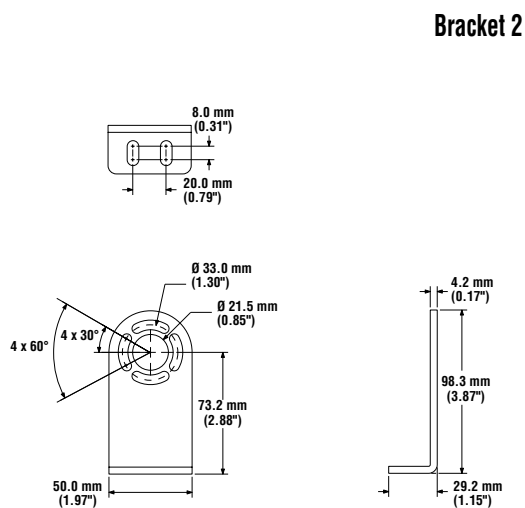
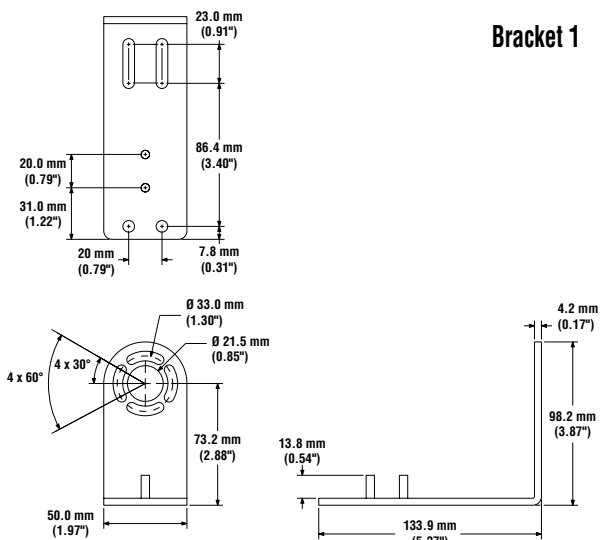




Description

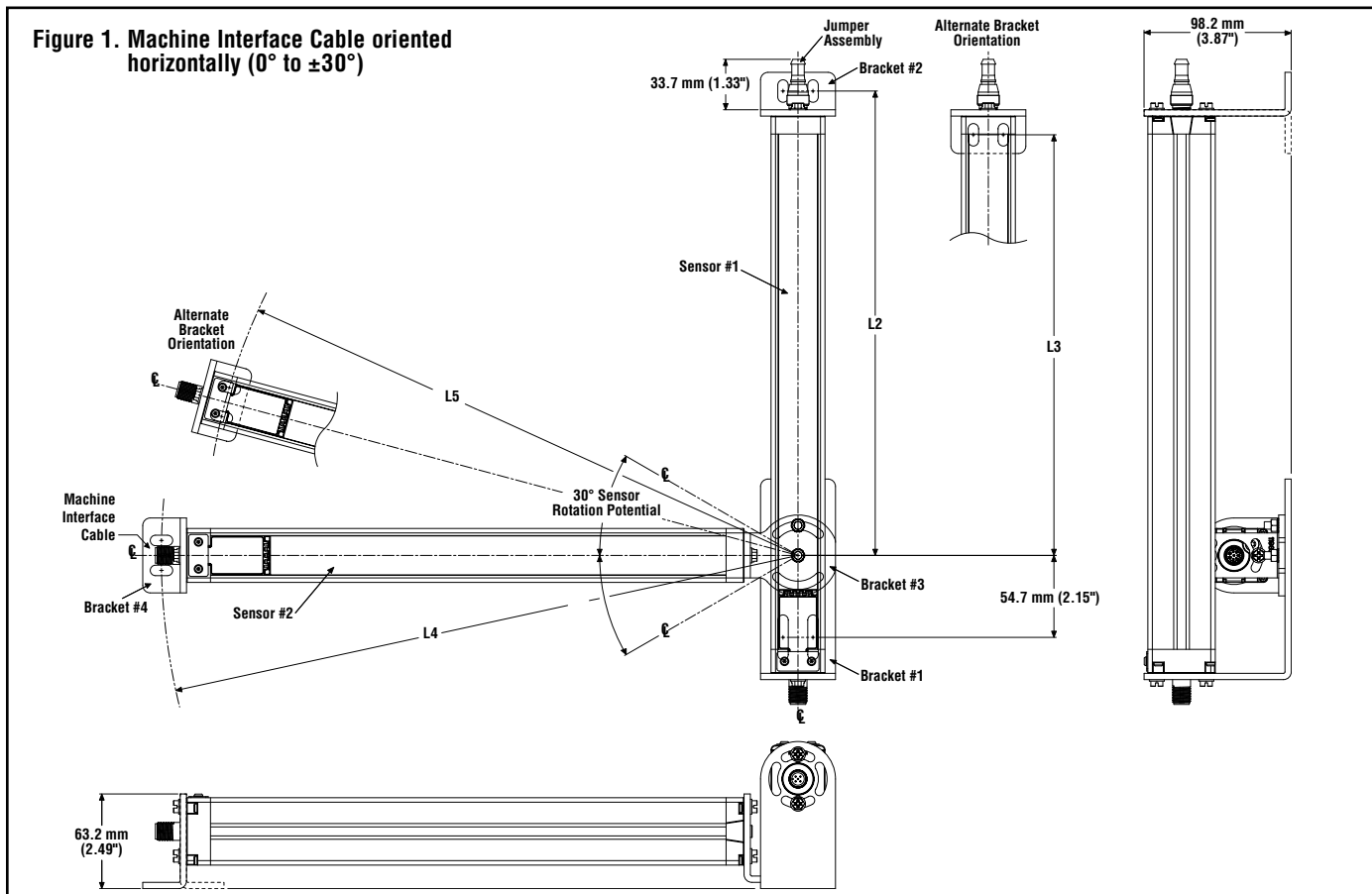
- Facilitates mounting of two EZ-SCREEN Cascade sensors
- Allows for 0° to 30° or 0° to 45° inclined installations
- Flexible L-mounting configuration
- Advantageous cable routing
- Minimal encroachment into working area
- Minimizes gaps in sensing fields
- Four mounting variations are possible
- Minimizes reach-around hazards
- One EZA-MBK-21 kit contains brackets for one side of an L-mounting configuration

Dimensions



EZA-MBK-21 – EZ-SCREEN™ Mounting Bracket

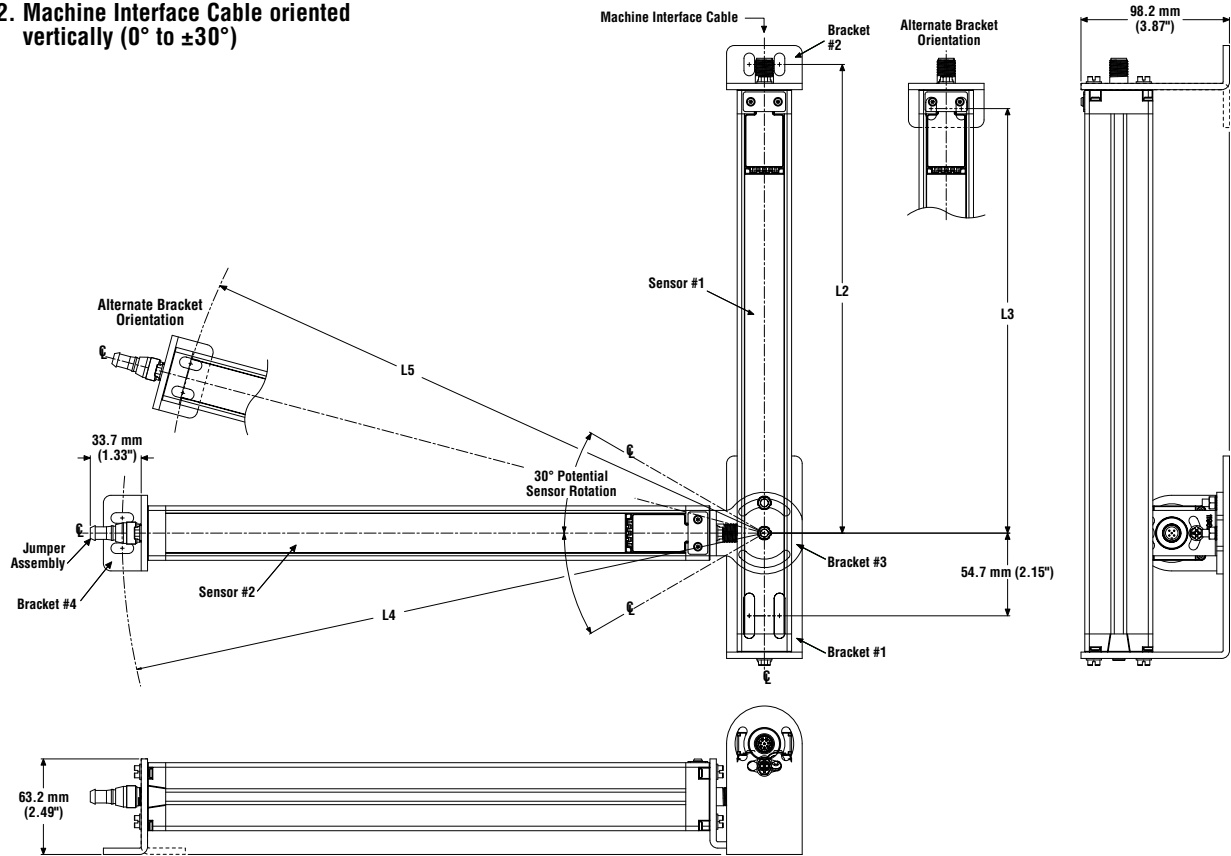
Figure 1. Machine Interface Cable oriented horizontally (0° to ±30°)



| Light Screen Model | Sensor Housing Length L1 | Sensor #1 | | Sensor #2 | |
|--------------------|--------------------------|-----------------------|-----------------------|-----------------------|-----------------------|
| | | Mounting Dimension L2 | Mounting Dimension L3 | Mounting Dimension L4 | Mounting Dimension L5 |
| SLSC...-300 | 372 mm (14.6") | 310 mm (12.2") | 280.8 mm (11.1") | 424.7 mm (16.7") | 395.5 mm (15.6") |
| SLSC...-450 | 522 mm (20.6") | 460 mm (18.1") | 430.8 mm (17.0") | 574.7 mm (22.6") | 545.5 mm (21.5") |
| SLSC...-600 | 671 mm (26.4") | 609 mm (24.0") | 579.8 mm (22.8") | 723.7 mm (28.5") | 694.5 mm (27.3") |
| SLSC...-750 | 821 mm (32.3") | 759 mm (29.9") | 729.8 mm (28.7") | 873.7 mm (34.4") | 844.5 mm (33.2") |
| SLSC...-900 | 971 mm (38.2") | 909 mm (35.8") | 879.8 mm (34.6") | 1023.7 mm (40.3") | 994.5 mm (39.2") |
| SLSC...-1050 | 1120 mm (44.1") | 1058 mm (41.7") | 1028.8 mm (40.5") | 1172.7 mm (46.2") | 1143.5 mm (45.0") |
| SLSC...-1200 | 1270 mm (50.0") | 1208 mm (47.6") | 1178.8 mm (46.4") | 1322.7 mm (52.1") | 1293.5 mm (50.9") |
| SLSC...-1350 | 1420 mm (55.9") | 1358 mm (53.5") | 1328.8 mm (52.3") | 1472.7 mm (58.0") | 1443.5 mm (56.8") |
| SLSC...-1500 | 1569 mm (61.8") | 1507 mm (59.3") | 1477.8 mm (58.2") | 1621.7 mm (63.8") | 1592.5 mm (62.7") |
| SLSC...-1650 | 1719 mm (67.7") | 1657 mm (65.2") | 1627.8 mm (64.1") | 1771.7 mm (69.8") | 1742.5 mm (68.6") |
| SLSC...-1800 | 1869 mm (74.9") | 1807 mm (71.1") | 1777.8 mm (70.0") | 1921.7 mm (75.7") | 1892.5 mm (74.5") |

EZA-MBK-21 – EZ-SCREEN™ Mounting Bracket

Figure 2. Machine Interface Cable oriented vertically (0° to ±30°)

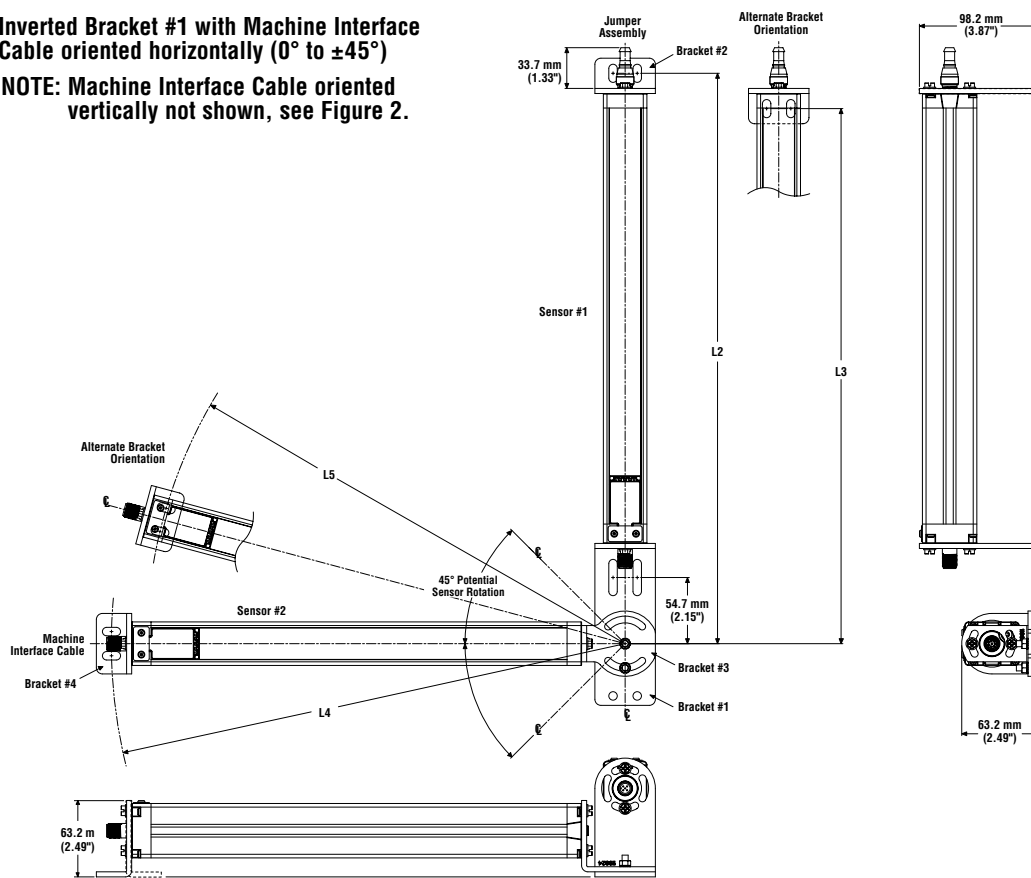


| Light Screen Model | Sensor Housing Length L1 | Sensor #1 | | Sensor #2 | |
|--------------------|--------------------------|-----------------------|-----------------------|-----------------------|-----------------------|
| | | Mounting Dimension L2 | Mounting Dimension L3 | Mounting Dimension L4 | Mounting Dimension L5 |
| SLSC...-300 | 372 mm (14.6") | 310 mm (12.2") | 280.8 mm (11.1") | 424.7 mm (16.7") | 395.5 mm (15.6") |
| SLSC...-450 | 522 mm (20.6") | 460 mm (18.1") | 430.8 mm (17.0") | 574.7 mm (22.6") | 545.5 mm (21.5") |
| SLSC...-600 | 671 mm (26.4") | 609 mm (24.0") | 579.8 mm (22.8") | 723.7 mm (28.5") | 694.5 mm (27.3") |
| SLSC...-750 | 821 mm (32.3") | 759 mm (29.9") | 729.8 mm (28.7") | 873.7 mm (34.4") | 844.5 mm (33.2") |
| SLSC...-900 | 971 mm (38.2") | 909 mm (35.8") | 879.8 mm (34.8") | 1023.7 mm (40.3") | 994.5 mm (39.2") |
| SLSC...-1050 | 1120 mm (44.1") | 1058 mm (41.7") | 1028.8 mm (40.5") | 1172.7 mm (46.2") | 1143.5 mm (45.0") |
| SLSC...-1200 | 1270 mm (50.0") | 1208 mm (47.6") | 1178.8 mm (46.4") | 1322.7 mm (52.1") | 1293.5 mm (50.9") |
| SLSC...-1350 | 1420 mm (55.9") | 1358 mm (53.5") | 1328.8 mm (52.3") | 1472.7 mm (58.0") | 1443.5 mm (56.8") |
| SLSC...-1500 | 1569 mm (61.8") | 1507 mm (59.3") | 1477.8 mm (58.2") | 1621.7 mm (63.8") | 1592.5 mm (62.7") |
| SLSC...-1650 | 1719 mm (67.7") | 1657 mm (65.2") | 1627.8 mm (64.1") | 1771.7 mm (69.8") | 1742.5 mm (68.6") |
| SLSC...-1800 | 1869 mm (74.9") | 1807 mm (71.1") | 1777.8 mm (70.0") | 1921.7 mm (75.7") | 1892.5 mm (74.5") |

EZA-MBK-21 – EZ-SCREEN™ Mounting Bracket

Figure 3. Inverted Bracket #1 with Machine Interface Cable oriented horizontally (0° to ±45°)

NOTE: Machine Interface Cable oriented vertically not shown, see Figure 2.



| Light Screen Model | Sensor Housing Length L1 | Sensor #1 | | Sensor #2 | |
|--------------------|--------------------------|-----------------------|-----------------------|-----------------------|-----------------------|
| | | Mounting Dimension L2 | Mounting Dimension L3 | Mounting Dimension L4 | Mounting Dimension L5 |
| SLSC...-300 | 372 mm (14.6") | 476.1 mm (18.6") | 442.4 mm (17.4") | 424.7 mm (16.7") | 395.5 mm (15.6") |
| SLSC...-450 | 522 mm (20.6") | 621.6 mm (24.5") | 592.4 mm (23.3") | 574.7 mm (22.6") | 545.5 mm (21.5") |
| SLSC...-600 | 671 mm (26.4") | 770.6 mm (30.3") | 741.4 mm (29.2") | 723.7 mm (28.5") | 694.5 mm (27.3") |
| SLSC...-750 | 821 mm (32.3") | 920.6 mm (36.2") | 891.4 mm (35.1") | 873.7 mm (34.4") | 844.5 mm (33.2") |
| SLSC...-900 | 971 mm (38.2") | 1070.6 mm (42.1") | 1041.4 mm (41.0") | 1023.7 mm (40.3") | 994.5 mm (39.2") |
| SLSC...-1050 | 1120 mm (44.1") | 1219.6 mm (48.0") | 1190.4 mm (46.9") | 1172.7 mm (46.2") | 1143.5 mm (45.0") |
| SLSC...-1200 | 1270 mm (50.0") | 1369.6 mm (53.9") | 1340.4 mm (52.8") | 1322.7 mm (52.1") | 1293.5 mm (50.9") |
| SLSC...-1350 | 1420 mm (55.9") | 1519.6 mm (59.8") | 1490.4 mm (58.7") | 1472.7 mm (58.0") | 1443.5 mm (56.8") |
| SLSC...-1500 | 1569 mm (61.8") | 1668.6 mm (65.7") | 1639.4 mm (64.5") | 1621.7 mm (63.8") | 1592.5 mm (62.7") |
| SLSC...-1650 | 1719 mm (67.7") | 1818.6 mm (71.6") | 1789.4 mm (70.4") | 1771.7 mm (69.8") | 1742.5 mm (68.6") |
| SLSC...-1800 | 1869 mm (74.9") | 1968.6 mm (77.5") | 1939.4 mm (76.4") | 1921.7 mm (75.7") | 1892.5 mm (74.5") |



WARRANTY: Banner Engineering Corp. warrants its products to be free from defects for one year. Banner Engineering Corp. will repair or replace, free of charge, any product of its manufacture found to be defective at the time it is returned to the factory during the warranty period. This warranty does not cover damage or liability for the improper application of Banner products. This warranty is in lieu of any other warranty either expressed or implied.