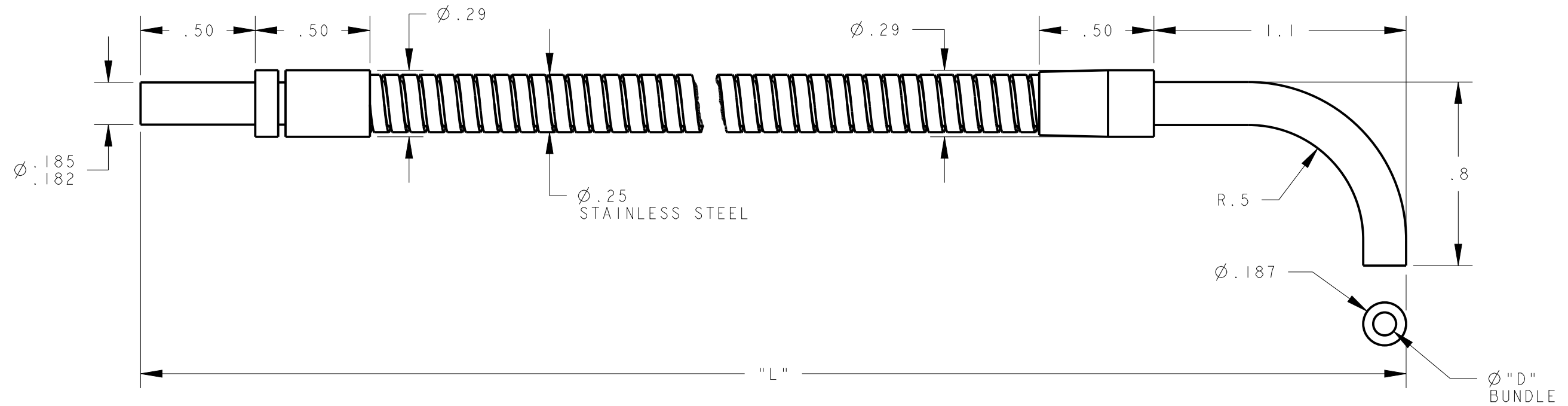


MODEL NO.	"L"	"D"	P/N
IA2.5S	6	.125	17888
IA2.7S	8	.125	17827
IA2.83S	10	.125	17847
IA2.9S	11	.125	17903
IA21.1S	13	.125	17829
IA21.2S	14	.125	17828
IA21.33S	16	.125	17946
IA21.5S	18	.125	17947
IA21.65S	19.5	.125	00000
IA210S	120	.125	17375
IA23S	36	.125	17299



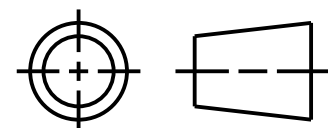
NOTES:
 1. ALL DIMENSIONS ARE MILLIMETERS [INCHES] UNLESS OTHERWISE NOTED.
 2. REFER TO "www.bannerengineering.com" FOR ADDITIONAL DATA AND SPECIFICATIONS.

This drawing is the property of BANNER ENGINEERING CORP. Any use or reproduction, in any form, without prior written permission of Banner is prohibited. © 2015 Banner Engineering Corp.



BANNER ENGINEERING CORP.
 www.bannerengineering.com

THIRD ANGLE PROJECTION



TITLE

IA2 SERIES SS TERMINATED

SIZE B DRAWING NO. **161910** REV. **A**

SCALE 2:1 SHEET 1 OF 2

CREO

8	7	6	5	4	3	2	1
MODEL NO.	"L"	"D"	P/N	MODEL NO.	"L"	"D"	P/N
IA110S	120	.062	12954	IA.753S	36	.046	20682
IA.7510S	120	.046	00000	IAI.54S	48	.090	20847
IA24.1S	49	.125	23788	IAI.55S	60	.090	21204
IA230S	360	.125	24385	IAI2S	24	.062	17390
IA217S	204	.125	23354	IAI3S	36	.062	17290
IA19S	108	.062	00000	IAI5S	60	.062	17291
IA22.3S	27	.125	23698	IAI6S	72	.062	17293
IA21.15S	13.5	.125	23697	IA.446S	72	.027	91150
IA226S	312	.125	23830				
IA223S	276	.125	23969				
IAI.7S	8	.062	24146				
IA28SM600	96	.125	24290				
IAI12S	144	.125	00000				
IAI.5S	6	.062	24370				
IA28.83S	106	.125	00000				
IA214.8S	177	.125	00000				
IAI.8S	9	.062	24578				
IA2.38S	4.6	.125	00000				
IA2.66S	8	.125	00000				
IA.443S	36	.027	00000				
IA210SM600	120	.125	62298				
IAI.5.7S	8	.090	59272				
IA11.1S	13	.062	00000				
IA226.3S	315	.125	00000				
IA227S	324	.125	00000				
IA212S	144	.125	17885				
IA213S	156	.125	17391				
IA214S	168	.125	20852				
IA215S	180	.125	20861				
IA218S	216	.125	20598				

NOTES:

1. 'M600' SUFFIX INDICATES THAT FIBERS POTTED ON ANGLED END WITH EPOXY THAT OPERATES IN MAX. TEMPERATURES OF 600°F.

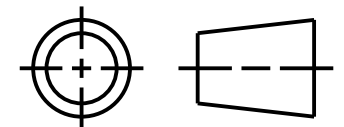
NOTES:
 1. ALL DIMENSIONS ARE MILLIMETERS [INCHES] UNLESS OTHERWISE NOTED.
 2. REFER TO "www.bannerengineering.com" FOR ADDITIONAL DATA AND SPECIFICATIONS.

This drawing is the property of BANNER ENGINEERING CORP. Any use or reproduction, in any form, without prior written permission of Banner is prohibited.
 © 2015 Banner Engineering Corp.



BANNER ENGINEERING CORP.
 www.bannerengineering.com

THIRD ANGLE PROJECTION



TITLE
IA2 SERIES SS TERMINATED

SIZE B DRAWING NO. **161910** REV. **A**

SCALE 2:1 SHEET 2 OF 2