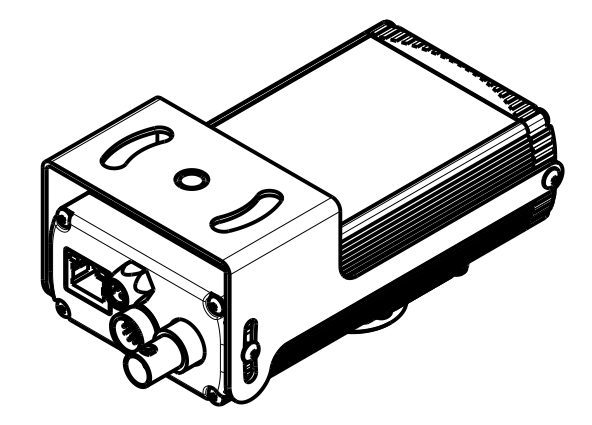
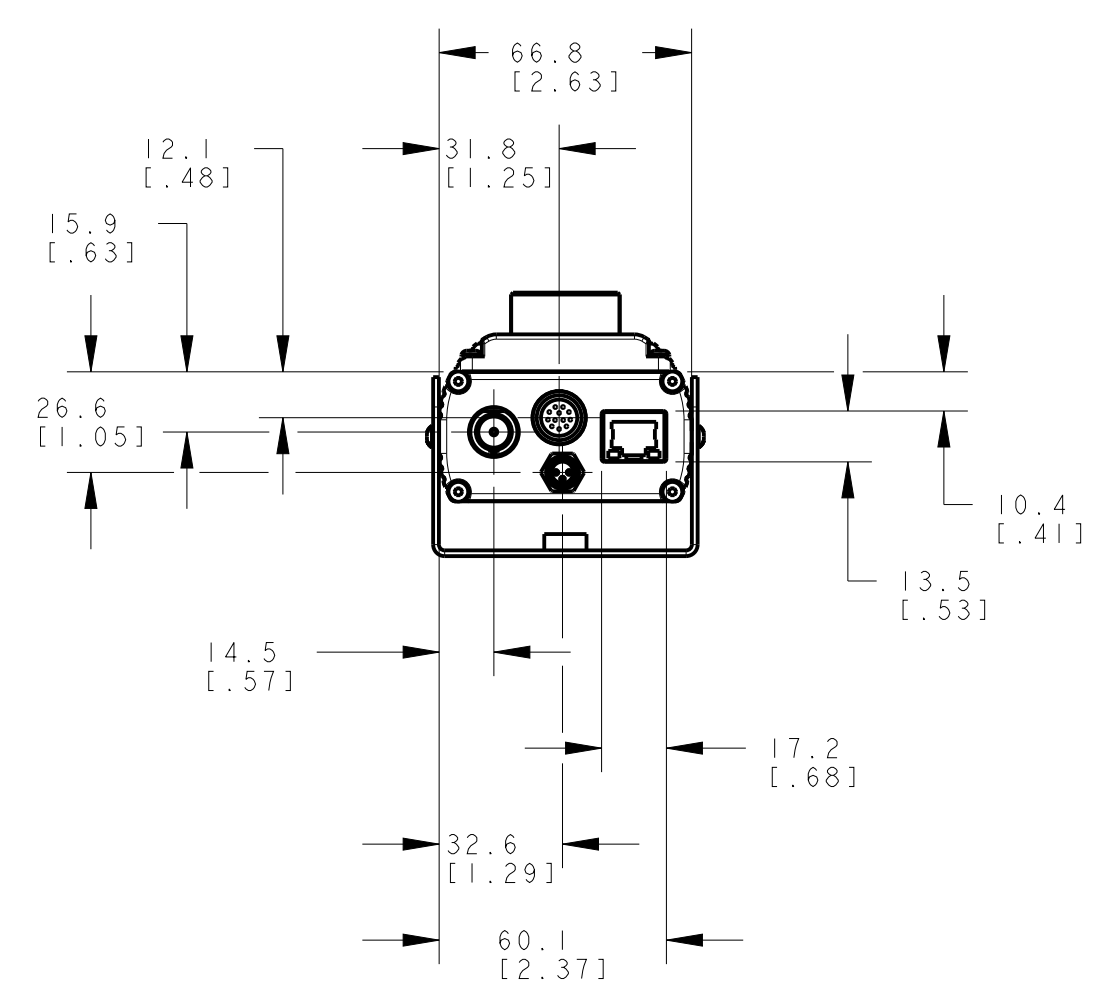
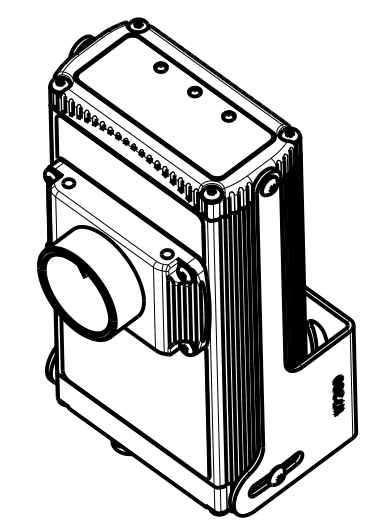
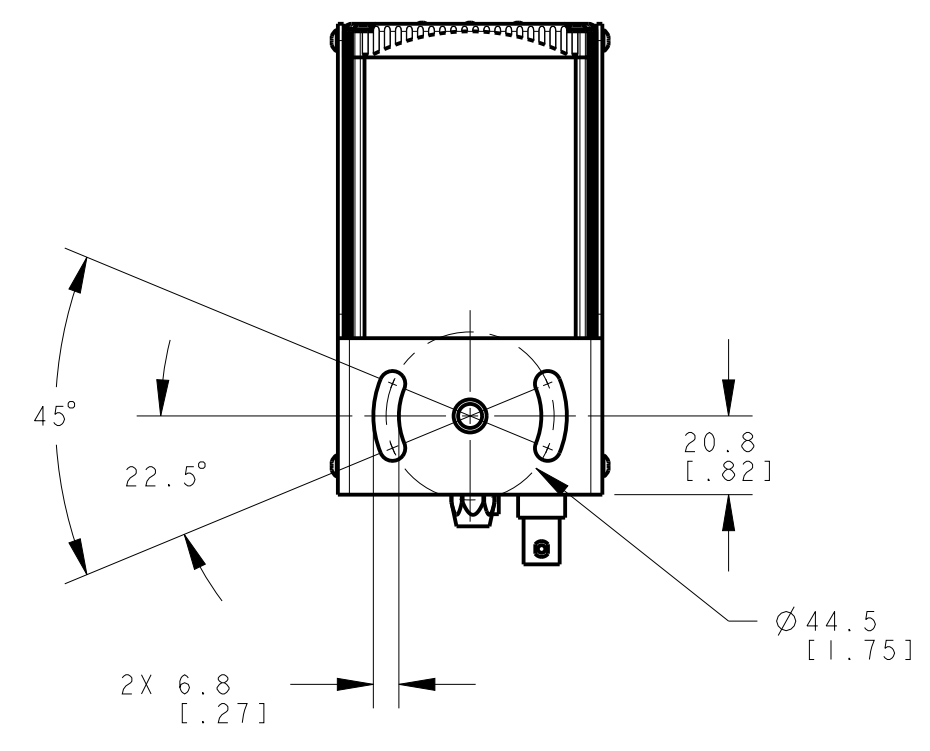
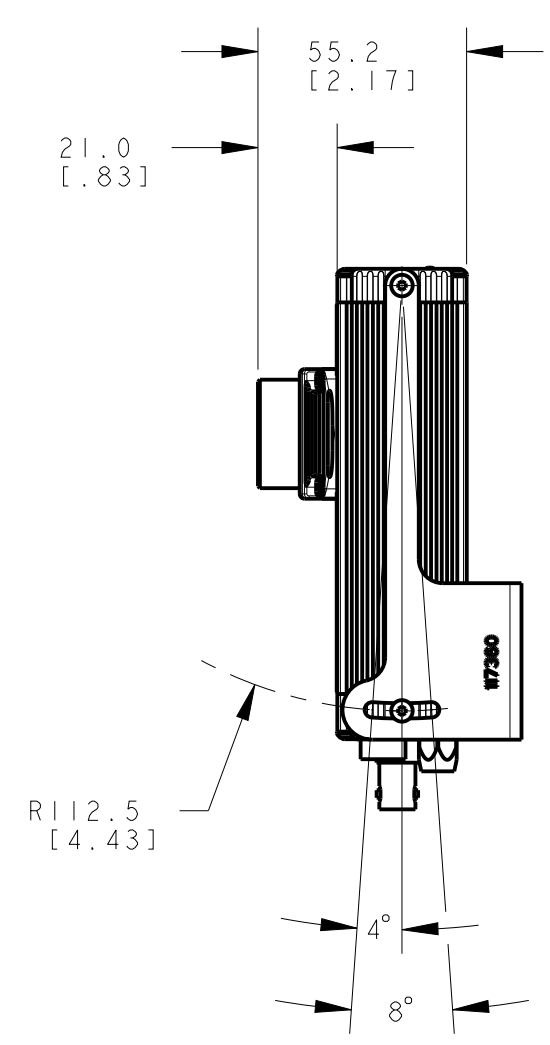
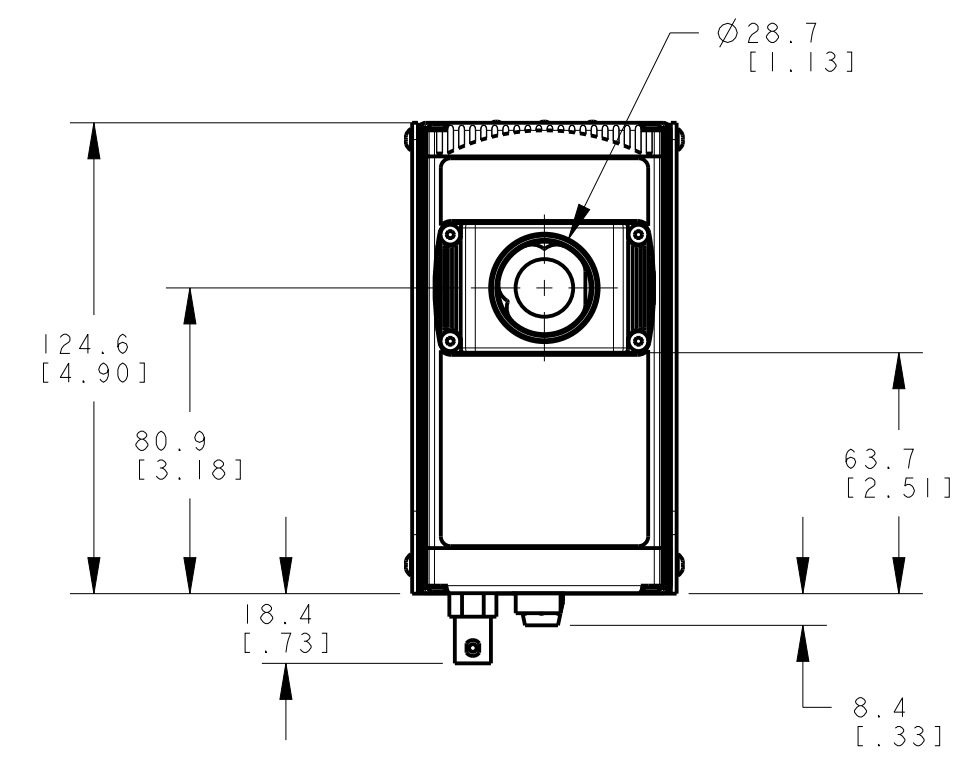
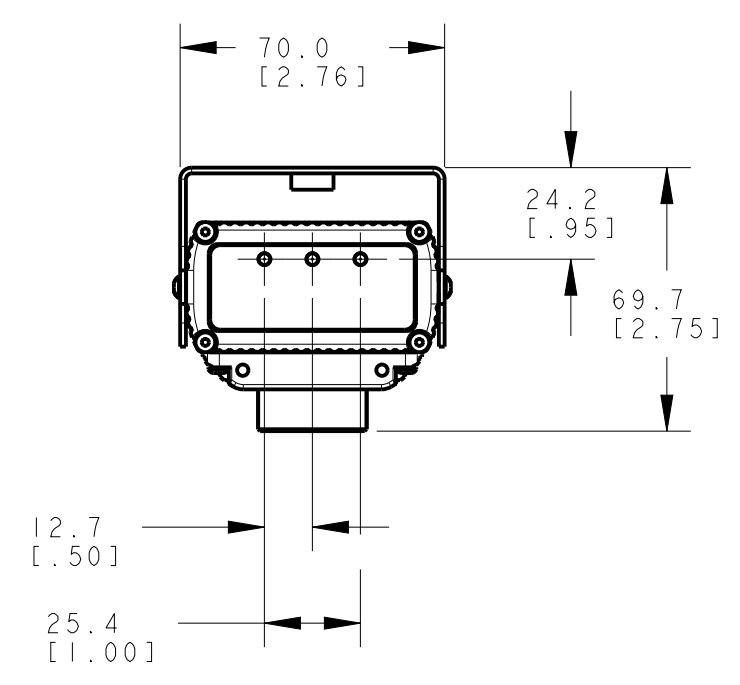
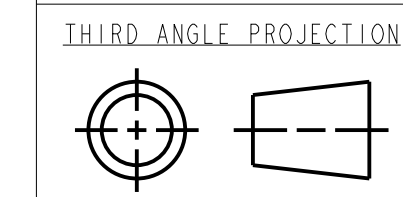


8 7 6 5 4 3 2 1



NOTES:  
 1. ALL DIMENSIONS ARE MILLIMETERS [INCHES] UNLESS OTHERWISE NOTED.  
 2. REFER TO "www.bannerengineering.com" FOR ADDITIONAL DATA AND SPECIFICATIONS.

This drawing is the property of BANNER ENGINEERING CORP. Any use or reproduction, in any form, without prior written permission of Banner is prohibited. © 2015 Banner Engineering Corp.



TITLE		
P40 RIGHT ANGLE W/COLOR		
SIZE C	DRAWING NO. 144670	REV. A
SCALE 1:2	SHEET 1 OF 1	

8 7 6 5 4 3 2 1 CREO