








Datasheet

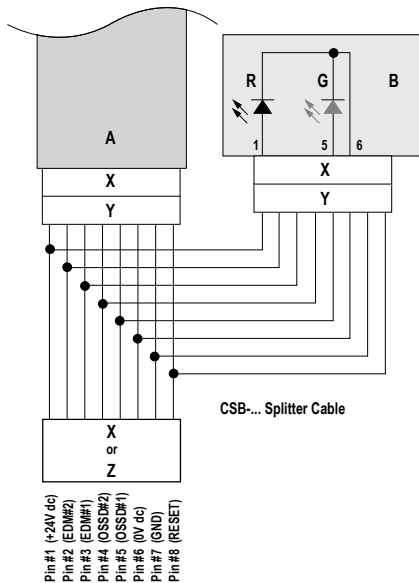
DC-operated LED Indicators that Follow the Receiver's OSSD Output Status

To view or download the latest technical information about this product, including specifications, dimensions, accessories, and wiring, see www.bannerengineering.com.

Models

Model	Construction	Model	Construction
 M18RGX8PQ8 ¹	Nickel-plated brass housing, M18x1 thread; thermoplastic diffuser. Fully encapsulated IEC IP67.	 K50LRGX8PQ8	30 mm threaded polycarbonate base, translucent polycarbonate dome. Fully encapsulated IEC IP67, IP69K.
 T18RGX8PQ8	Thermoplastic polyester housing, thermoplastic diffuser. Fully encapsulated IEC IP67.	 K50FLRGX8PQ8	Polycarbonate base, translucent polycarbonate dome. Fully encapsulated IEC IP67, IP69K.
 T30RGX8PQ8	Thermoplastic polyester housing, thermoplastic diffuser. Fully encapsulated IEC IP67.	 K80LRGX8PQ8	ABS and polycarbonate base, translucent polycarbonate dome. Electronics fully encapsulated IEC IP67.
 K30LRGX8PQ8	22 mm threaded polycarbonate base, translucent polycarbonate dome. Fully encapsulated IEC IP67, IP69K.		

Wiring



Key:

- A = Standard EZ-SCREEN M12 connector/wiring
- B = EZ-LIGHT
- R = Red
- G = Green
- X = Male M12
- Y = Female M12
- Z = Unterminated
- C = CSB-...Splitter Cable DEE2R-8...D*



Note: *Use a model DEE2R-8..D double-ended cordset to extend the length between the CSB splitter and the EZ-LIGHT.

¹ Available in a kit that includes one M18 EZ-LIGHT, one SMB18A mounting bracket, and hardware for mounting to the side channel of an EZ-SCREEN housing. Kit model number EZA-M18RGX8PQ8.



Pinout and Color Code Information

EZ-LIGHT for EZ-SCREEN Pinout / Color Code			European M12 Specification ²			Connector (female face view)
Pin	Color	Function	Pin	Color	Function	
1	Brown	+ 24 V dc	1	White	+ 24 V dc	
2	Orange/Black	No connection	2	Brown	No connection	
3	Orange	No connection	3	Green	No connection	
4	White	No connection	4	Yellow	No connection	
5	Black	OSSD #1	5	Gray	OSSD #1	
6	Blue	0 V dc	6	Pink	0 V dc	
7	Green/Yellow	No connection	7	Blue	No connection	
8	Violet	No connection	8	Red	No connection	

Specifications

Supply Voltage and Current

K30L, M18 and T18 Models: +24 V dc at 30 mA max.
T30, K50L, K50FL and K80L Models: +24 V dc at 45 mA max.

Outputs

PNP

Indicators

Entire translucent diffuser or dome provides indication.
Red/Green indication follows EZ-SCREEN OFF/ON OSSD#1 output.

Connections

8-pin M12/Euro-style quick disconnect

Construction

See Models table

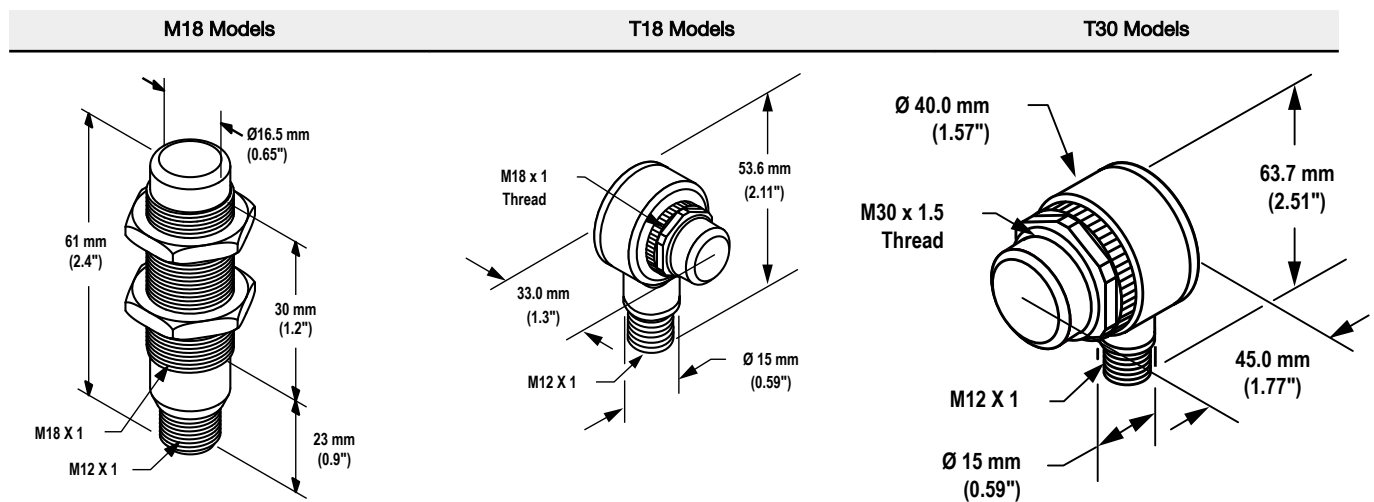
Environmental Rating

All models: IEC IP67
K50L, K30L, K50FL: IEC IP67, IP69K per DIN 40050-9
K80L has encapsulated electronics only; other models fully encapsulated

Operating Conditions

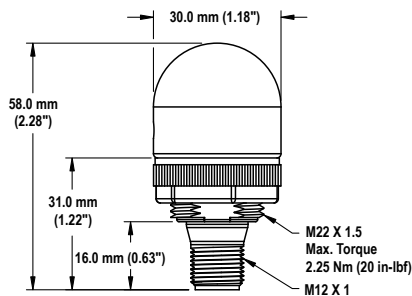
-40 °C to +50 °C (-40 °F to +122 °F)

Dimensions

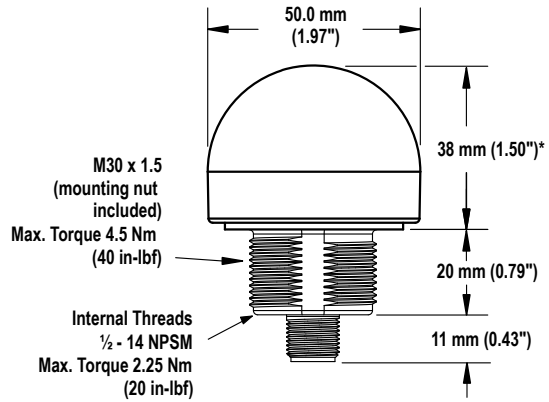


² The European M12 specification pin assignment and color codes are listed as a customer courtesy. The user must verify suitability of these cordsets for each application.

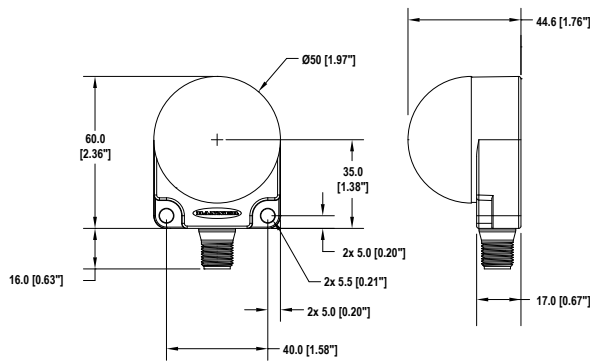
K30L Models



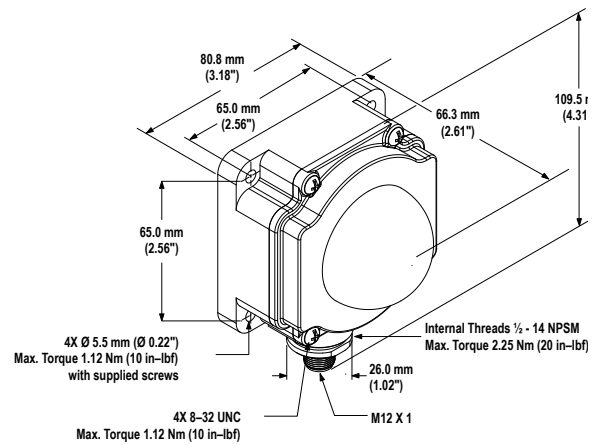
K50L Models



K50FL Models



K80L Models

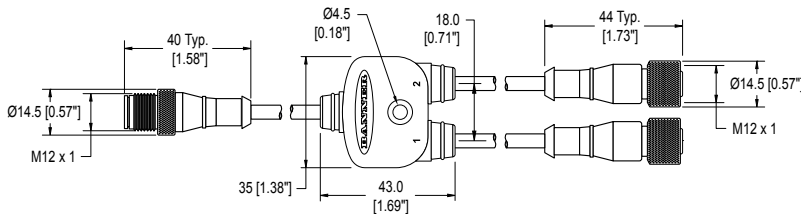


EZ-SCREEN Accessory Cordsets

For 8-Pin Receivers

8-Pin Threaded M12/Euro-Style Splitter Cordsets—Flat Junction

Model	Trunk (Male)	Branches (Female)	Pinout
CSB-M1280M1280	No trunk	No branches	<p>Male</p> <p>Female</p> <p>1 = Brown 2 = Or/Bk 3 = Orange 4 = White 5 = Black 6 = Blue 7 = Gn/Ye 8 = Violet</p>
CSB-M1281M1281	0.3 m (1 ft)	2 x 0.3 m (1 ft)	
CSB-M1288M1281	2.44 m (8 ft)		
CSB-M12815M1281	4.57 m (15 ft)		
CSB-M12825M1281	7.62 m (25 ft)		
CSB-UNT825M1281	7.62 m (25 ft) Unterminated		



8-Pin Threaded M12/Euro-Style Cordsets—Double Ended				
Model (8-pin/8-pin) ³	Length	Style	Dimensions	Pinout
DEE2R-81D	0.31 m (1 ft)	Female Straight/ Male Straight		Female
DEE2R-83D	0.91 m (3 ft)			Male
DEE2R-88D	2.44 m (8 ft)			1 = White 2 = Brown 3 = Green 4 = Yellow
DEE2R-815D	4.57 m (15 ft)			5 = Gray 6 = Pink 7 = Blue 8 = Red
DEE2R-825D	7.62 m (25 ft)			
DEE2R-850D	15.2 m (50 ft)			
DEE2R-875D	22.9 m (75 ft)			
DEE2R-8100D	30.5 m (100 ft)			

Banner Engineering Corp. Limited Warranty

Banner Engineering Corp. warrants its products to be free from defects in material and workmanship for one year following the date of shipment. Banner Engineering Corp. will repair or replace, free of charge, any product of its manufacture which, at the time it is returned to the factory, is found to have been defective during the warranty period. This warranty does not cover damage or liability for misuse, abuse, or the improper application or installation of the Banner product.

THIS LIMITED WARRANTY IS EXCLUSIVE AND IN LIEU OF ALL OTHER WARRANTIES WHETHER EXPRESS OR IMPLIED (INCLUDING, WITHOUT LIMITATION, ANY WARRANTY OF MERCHANTABILITY OR FITNESS FOR A PARTICULAR PURPOSE), AND WHETHER ARISING UNDER COURSE OF PERFORMANCE, COURSE OF DEALING OR TRADE USAGE.

This Warranty is exclusive and limited to repair or, at the discretion of Banner Engineering Corp., replacement. **IN NO EVENT SHALL BANNER ENGINEERING CORP. BE LIABLE TO BUYER OR ANY OTHER PERSON OR ENTITY FOR ANY EXTRA COSTS, EXPENSES, LOSSES, LOSS OF PROFITS, OR ANY INCIDENTAL, CONSEQUENTIAL OR SPECIAL DAMAGES RESULTING FROM ANY PRODUCT DEFECT OR FROM THE USE OR INABILITY TO USE THE PRODUCT, WHETHER ARISING IN CONTRACT OR WARRANTY, STATUTE, TORT, STRICT LIABILITY, NEGLIGENCE, OR OTHERWISE.**

Banner Engineering Corp. reserves the right to change, modify or improve the design of the product without assuming any obligations or liabilities relating to any product previously manufactured by Banner Engineering Corp. Any misuse, abuse, or improper application or installation of this product or use of the product for personal protection applications when the product is identified as not intended for such purposes will void the product warranty. Any modifications to this product without prior express approval by Banner Engineering Corp will void the product warranties. All specifications published in this document are subject to change; Banner reserves the right to modify product specifications or update documentation at any time. Specifications and product information in English supersede that which is provided in any other language. For the most recent version of any documentation, refer to: www.bannerengineering.com.

For patent information, see www.bannerengineering.com/patents.

³ Standard cordsets are yellow PVC with black overmold. For black PVC and overmold, add suffix "B" to model number (example, DEE2R-81DB)