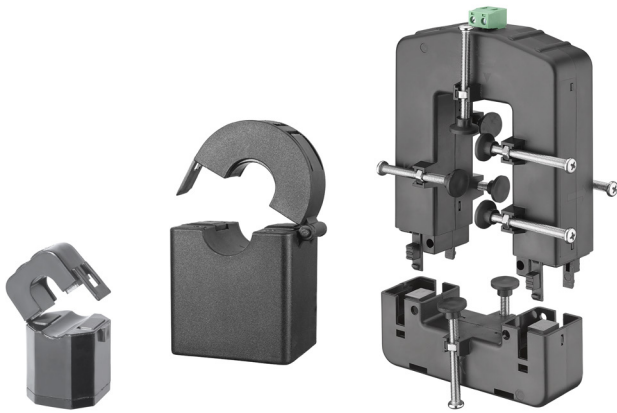


CTV



Split core current sensor



Benefits

- **Adaptability and flexibility.** Effective for a wide range of currents, it can be installed in existent applications.
- **Fast installation.** The opening/closing mechanism makes installation fast even in existent applications.

Description

Split core current sensor (333 mV output) with compact dimensions, suitable for retrofit applications when used in combination with EM210 72 D MV energy analyzer.

It manages primary current from 60 A to 800 A (it depends on the model).

Applications

CTV is the ideal solution for quick and easy installation without disconnecting cables during installation. It is indicated for any application (residential, commercial and industrial), especially for retrofitting where installing a solid core current transformer is not possible.

Main features

- Suitable for retrofit applications
- 9.5 to 36 mm hole diameter
- 50 x 90 mm hole diameter (CTV-8X model only)
- Cable length: 1.5 m
- Detachable screw terminals (CTV-8X model only)
- 333mV secondary output voltage

Features

General

Material	PA66
Protection degree	IP20
Secondary output	cable, 24 AWG (0.3mm ²) Detachable screw terminals (CTV-8X)
Mounting	Cable Busbar (CTV-8X)
Weight (g)	CTV1X: 60 CTV2X: 66 CTV3X: 118 CTV4X: 200 CTV6X: 300 CTV8X: 725

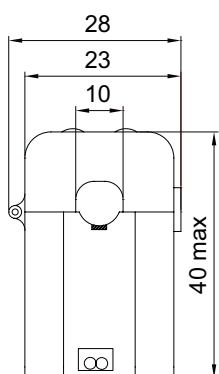


Fig. 1 CTV-1X

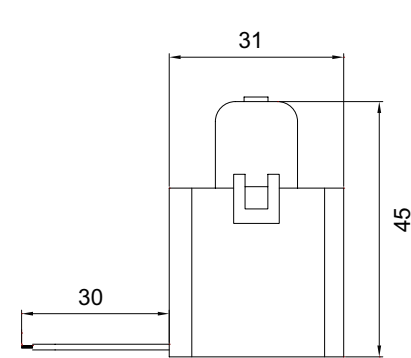
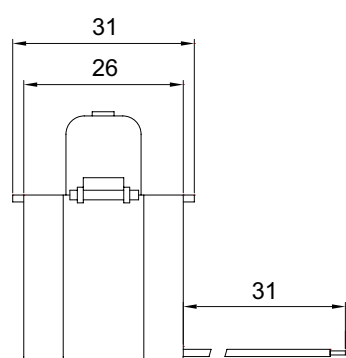


Fig. 2 CTV-2X

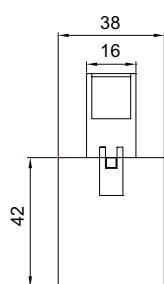


Fig. 3 CTV-3X

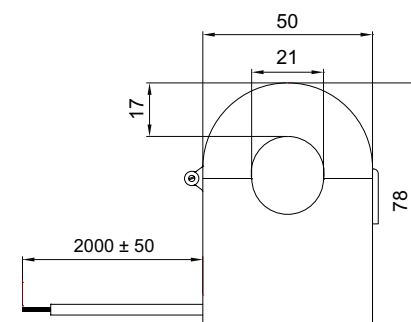
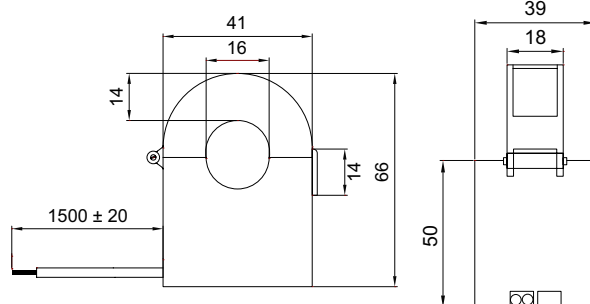


Fig. 4 CTV-4X

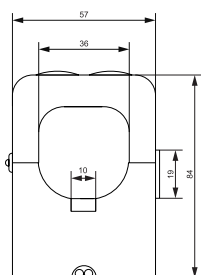


Fig. 5 CTV-6X

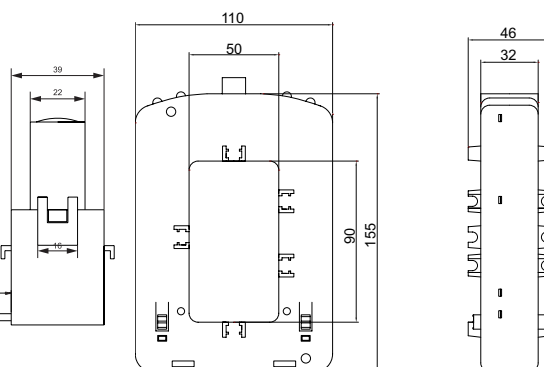


Fig. 6 CTV-8X

Environmental specifications

Operating temperature	-40° to +65°C (-40 to 149 F°)
Storage temperature	-45° to +80°C (-49 to 176 F°)

UL note: insulation class: A (105), 55 °C rise type at 30°C ambient

Conformity

Approvals	
------------------	--

Electrical specifications

Maximum current (continuous)	1.2 x I _n
Secondary output	333 mV
Rated system voltage	600 V ac
Accuracy	Class 1 according to EN 61000-4-8
Winding DC resistance at 20°C	CTV1X: 560 Ω max CTV2X: 384 ± 10 Ω max CTV3X: 160 Ω max CTV4X: 130 Ω max CTV6X: 90 Ω ±10%
Dielectric withstand voltage (Hi-pot)	CTV1X, CTV2X: 2.5k V ac/1min Other models: 3k V ac/1min

Model	Primary current (A)	Max cable diameter (mm)	Max busbar size (mm)
CTV-1X	60	10	-
CTV-2X	100	16	-
CTV-3X	200	16	-
CTV-4X	200 400	21	-
CTV-6X	400	36	-
CTV-8X	800	-	50 X 90

References

 CTV X 333MV

Enter the code, replacing the symbol with the selected option (e.g.: CTV **1X 60A** 333MV).

Code	Options	Description
C	-	-
T	-	-
V	-	-
<input type="checkbox"/>	1X 60 A 2X 100 A 3X 200 A 4X 200 A 4X 400 A 6X 400 A 8X 800 A	Model and primary current
333 mV	-	Secondary current

Further reading

Information	Document	Where to find it
Instruction manual	Instruction manual: CTV_X	www.productselection.net

CARLO GAVAZZI compatible components

Purpose	Component name/code key	Notes
Measure and display consumption of connected circuits	EM210, EM271, ET272	-
Connect CTV to EM271 or to ET272	TCDMM	-



COPYRIGHT ©2019
Content subject to change. Download the PDF: www.productselection.net