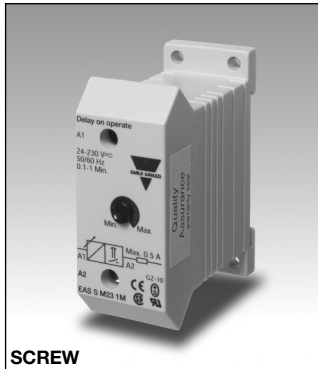


Timers

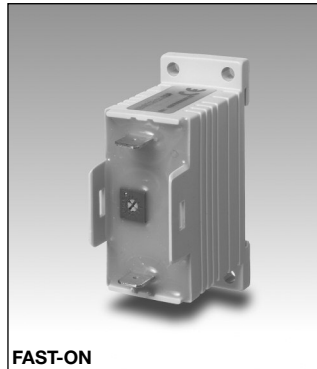
Delay on Operate

Type EAS

CARLO GAVAZZI



SCREW



FAST-ON

- Fail-safe two-wire connection
- Low-cost
- Multi-voltage: 24-230 VAC/DC
- Delay on operate
- Time range: 0.5 s - 10 m
- Knob-adjustable time setting
- Output: SCR 10-500 mA (screws) and SCR 10-700mA (Fast-ON)
- For mounting on DIN-rail in accordance with DIN/EN 50 022
- 22.5 mm small Euronorm housing

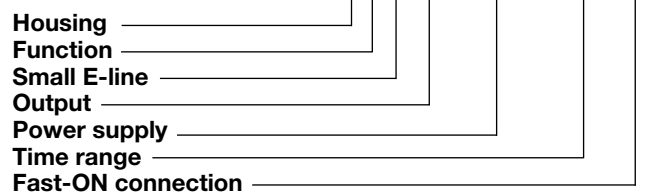
Product Description

Small, low-cost mono function timer with adjustable time setting. Only 2-wire connection for easy and fail-safe use (see diagram).

For mounting on DIN-rail or directly on surface by screws. The timer is used e.g. to delay small industrial relays or 3-phase contactors.

Ordering Key

EAS S M23 10S F



Type Selection

Mounting	Output	Time range	Connection	Supply: 24 - 230 VAC/DC
For DIN-rail or for screw	SCR	0.5 - 10 s	Screws	EAS S M23 10S
	SCR	0.1 - 1 m	Screws	EAS S M23 1M
	SCR	1 - 10 m	Screws	EAS S M23 10M
For DIN-rail or for screw	SCR	0.5 - 10 s	Fast-ON	EAS S M23 10S F
	SCR	0.1 - 1 m	Fast-ON	EAS S M23 1M F
	SCR	1 - 10 m	Fast-ON	EAS S M23 10M F

Time Specifications

Time ranges	
10 s	0.5 - 10 s
1 m	0.1 - 1 m
10 m	1 - 10 m
Time range accuracy	max. setting: actual time \geq max. set time min. setting: actual time \leq min. set time
Repeat accuracy	$\leq 0.2\%$
Time variation Within rated power supply and ambient temperature	$\leq 0.1\%/V$ $\leq 0.2\%/^{\circ}C$
Reset Time and output	Power supply interruption ≥ 200 ms

Output Specifications

Output	SCR
Output current	
Maximum load current (screw terminals) (Fast-ON connection)	500 mA 700 mA
Maximum current for 100 ms (screw terminals) (Fast-ON connection)	5.5 A 7 A
Minimum load current	10 mA
Leakage current	≤ 3.5 mA @ 230 V typ.: 2 m
Voltage drop	≤ 8 VAC/DC typ.: 5 VAC/DC @ 50 mA

Supply Specifications

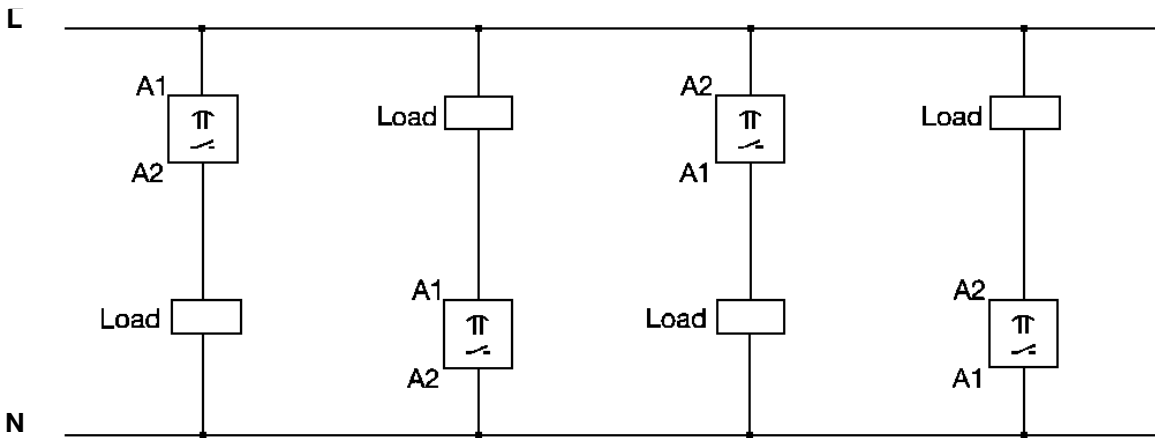
Power supply	Overvoltage cat. III (IEC 60664) (IEC 60038)
Rated operational voltage	24-230 VAC/DC, -10/+15%
Rated insulation voltage	None



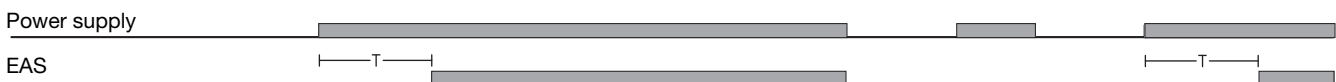
General Specifications

Power ON delay	≤ 100 ms	Max. screws tightening torque	0.5 Nm
Power OFF delay	≥ 200 ms		Dimensions (Fast-ON connection)
Environment		Material	ABS
Degree of protection	IP 20	Approvals	UL, CSA
Pollution degree	3	CE Marking	Yes
Operating temperature	-20° to +50°C (-4° to +122°F)	EMC	Electromagnetic compatibility
Storage temperature	-30° to +80°C (-22° to +176°F)	Immunity	Acc. to IEC 60801-4 Acc. to IEC 60801-5
Weight	50 g		
Housing			
Dimensions (screw connection)	22.5 x 56 x 49 mm		

Wiring Diagram



Operation Diagram



Dimensions

