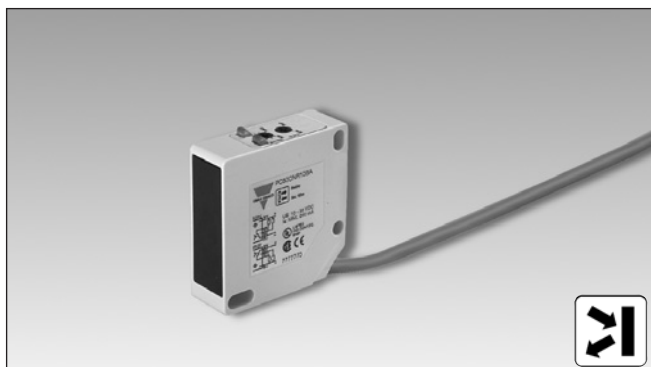


Type PC50CND10RP



- Range: 1 m
- Adjustable sensitivity
- Modulated, infrared light
- Supply voltage:
12 to 240 VDC and 24 to 240 VAC, 50/60 Hz
- Output: Relay 3 A, 30 VDC, 240 VAC
- Make and break switching function
- LED-indication for output ON, signal stability and supply ON
- Protection: reverse polarity, transients
- High degree of EMC



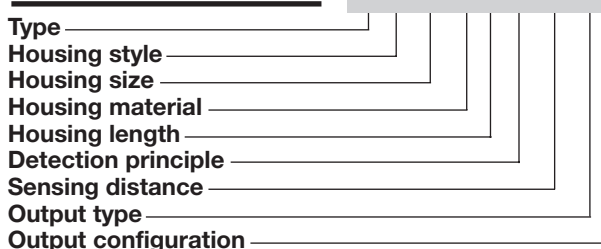
Product Description

The PC50CND. is a general purpose diffuse-reflective sensor in a compact squared 17 x 50 x 50 mm reinforced PC/ABS-housing. It is useful in applications where basic sensors provide adequate

sensing performance. The long sensing range in addition to sensitivity adjustment gives a very flexible sensor. Light and dark operation is switch selectable.

Ordering Key

PC50CND10RP



Type Selection

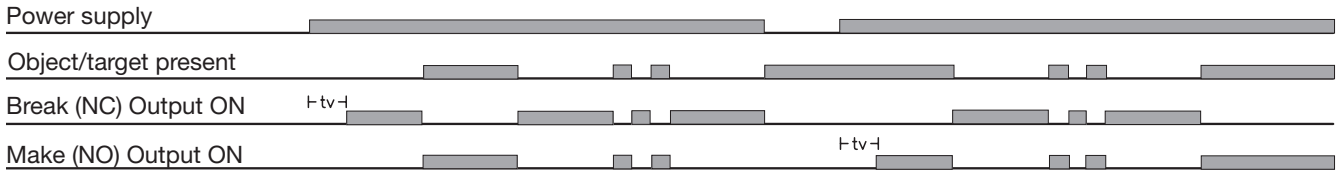
Housing W x H x D	Range (S _n)	Ordering no. Make and break switching
17 x 50 x 50 mm	1 m	PC 50 CND 10 RP

Specifications

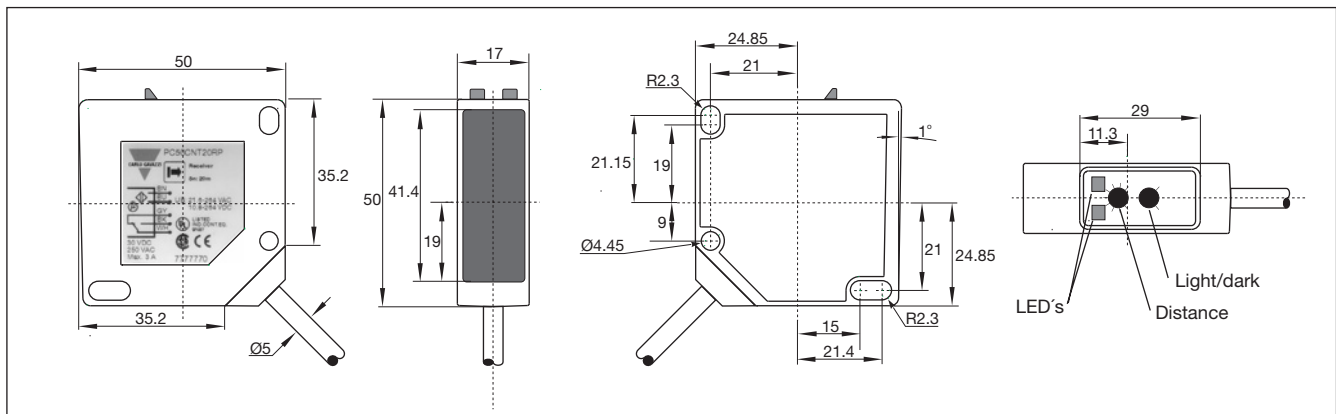
Rated operating distance (S_n)	Up to 1 m, reference target Kodak test card R 27, white, 90% reflectivity, 200 x 200 mm	Power ON delay (t_v)	≤ 300 ms
Blind zone	Max. 10 cm	Output function	Light and dark operation is switch selectable
Sensitivity	Adj. by single-turn pot. meter	Indication function	Output ON Supply ON, signal stability
Temperature drift	≤ 0.5%/°C	Environment	LED, yellow LED, green
Hysteresis (H)	Differential travel	Overvoltage category	II (IEC 60664/60664A; 60947-1)
Rated operational volt. (U_B)	3-20%	Pollution degree	3 (IEC 60664/60664A; 60947-1)
Rated operational power	12 to 240 VDC 24 to 240 VAC, 50 to 60 Hz	Degree of protection	IP 67 (IEC 60529; 60947-1)
Output	≤ 2.0 VA (relay ON)	Temperature	Operating Storage
Contact ratings		Operating	-20° to +60°C (-4° to +140°F)
Resistive loads	AC 1	Storage	-25° to +80°C (-13° to +176°F)
	DC 1	Vibration	10 to 150 Hz, 0.5 mm/7.5 g (IEC 68-2-6)
Mechanical life (typical)	3 A/250 VAC	Shock	2 x 1 m & 100 x 0.5 m (IEC 68-2-32)
Electrical life (typical)	3 A/30 VDC (> 10 mA/5 VDC)	Rated insulation voltage	250 VAC (rms)
	≥ 1 x 10 ⁵ operations	Housing material	
	at 3 A/240 VAC	Body	PC/ABS, grey, reinforced
Protection	Reverse polarity, transients	Front glass	PC black
Light source	GaAlAs, LED, 880 nm	Mounting bracket	Steel, galvanized
Light type	Infrared, modulated	Connection	
Sensing angle	± 2° at 1/2 range	Cable	PVC, grey, 2 m, 5 x 0.34 mm ²
Ambient light	Max. 5'000 lux	Weight	130 g
Operating frequency	20 Hz	Approvals	UL, CSA
Response time		CE-marking	Yes
OFF-ON (t _{ON})	≤ 25 ms		
ON-OFF (t _{OFF})	≤ 25 ms		

Operation Diagram

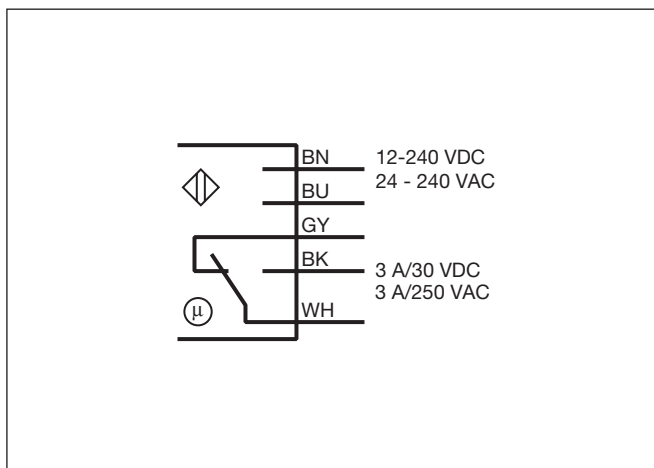
tv = Power ON delay



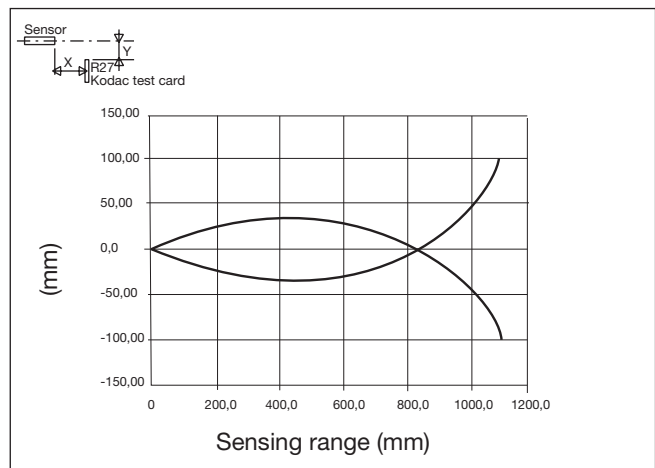
Dimensions



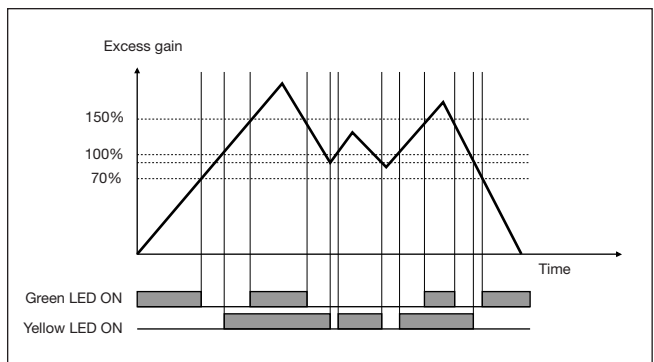
Wiring Diagram



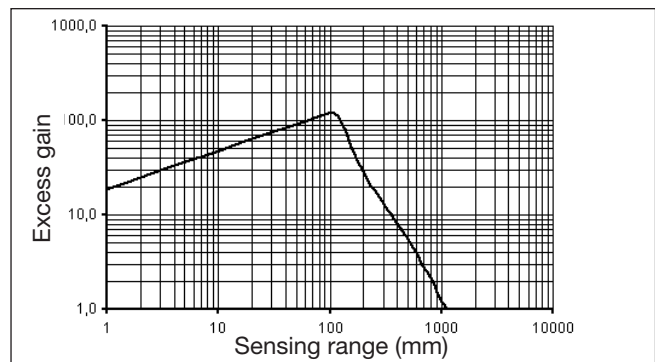
Detection Diagram



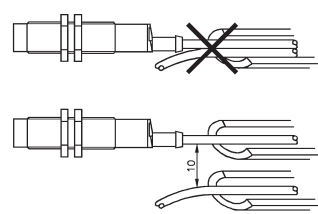
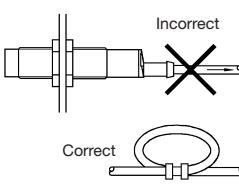
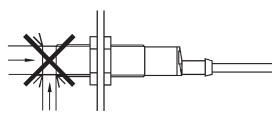
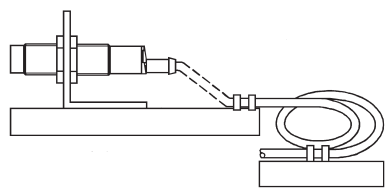
Signal Stability



Excess Gain



Installation Hints

<p>To avoid interference from inductive voltage/current peaks, separate the prox. switch power cables from any other power cables, e.g. motor, contactor or solenoid cables</p> 	<p>Relief of cable strain</p>  <p>The cable should not be pulled</p>	<p>Protection of the sensing face</p>  <p>A proximity switch should not serve as mechanical stop</p>	<p>Switch mounted on mobile carrier</p>  <p>Any repetitive flexing of the cable should be avoided</p>
---	---	--	--

Delivery Contents

- Photoelectric switch: PC50CND..
- Installation instruction
- Mounting bracket APC50-1
- **Packaging:** Cardboard box

Accessories

- Screwdriver for adjustment: 77-001

For further information refer to "Accessories"

