

# Timers

## Delay on Operate

### Types FAA01, FAA08

CARLO GAVAZZI



- Time range 0.05 s to 300 h
- Knob selection of time range
- Knob adjustable time setting
- Knob selection of operating mode (4 functions):
  - Op - delay on operate
  - R - symmetrical recycler ON first
  - In - interval
  - Sh - one shot
- Automatic start
- Repeatability:  $\pm 0.2\%$  on full scale
- Output: 8 A DPDT relay
- 48 x 48 mm housing for front panel mounting
- 8 or 11 pin socket
- LED indication for relay status and power supply ON

## Product Description

Delay on operate timer with 4 functions and selectable time ranges from 0.05 seconds to 300 hours. Housing 48 x 48 mm for front panel mounting and on 8-pin or 11-pin socket.

## Ordering Key

**FAA 01 D W24**

Housing \_\_\_\_\_  
 Function \_\_\_\_\_  
 Type \_\_\_\_\_  
 Item number \_\_\_\_\_  
 Output \_\_\_\_\_  
 Power supply \_\_\_\_\_

## Type Selection

Mounting	Output	Plug	Supply: 12 to 240 VAC/DC
Front or socket	DPDT	11-pin	<b>FAA01DW24</b>
Front or socket	DPDT	8-pin	<b>FAA08DW24</b>

## Time Specifications

Time ranges Knob selectable	Full scale 12	0.02 to 1.2s	Setting accuracy	$\pm 5\%$ on full scale $\pm 50$ ms
		0.2 to 12s		Repeatability
		2 to 120s	Time variation	
		0.2 to 12min		Reset
		2 to 120min	Note When the time knob is below "0" the output activates instantaneously	
		0.2 to 12h		
		2 to 120h		
		Full scale 30		0.05 to 3s
				0.5 to 30s
				5 to 300s
				0.5 to 30min
				5 to 300min
0.5 to 30h				
5 to 300h				

## Output Specifications

Output	DPDT relay	Electrical life	$\geq 10^5$ operations (at 8 A, 250 V, $\cos \varphi = 1$ )	
Rated insulation voltage	250 VAC		Operating frequency	$\leq 3600$ operations/h
Contact ratings (AgSnO <sub>2</sub> )	$\mu$	Dielectric strength		$\geq 2$ kVAC (rms) 4 kV (1.2/50 $\mu$ s)
Resistive loads	AC 1 DC 12		Dielectric voltage	
Small inductive loads	AC 15 DC 13			
Mechanical life	$\geq 30 \times 10^6$ operations			



## Supply Specifications

<b>Power Supply</b>		Overvoltage cat II (IEC 60947-1)
Rated operational voltage through terminals: (FAA01DW24)	2, 10	12 to 240 VDC + 10% - 15% 12 to 240 VAC + 10% - 15%, 45 to 65 Hz
(FAA08DW24)	2, 7	12 to 240 VDC + 10% - 15% 12 to 240 VAC + 10% - 15%, 45 to 65 Hz
<b>Power consumption</b>		
Rated operational power		
	AC	3 VA
	DC	1.5 W

## General Specifications

<b>Indication for</b>	
Power supply On	LED, green
Output ON	LED, yellow (flashing when timing)
<b>Environment</b>	
Degree of protection	IP 50 (front panel)
Operating temperature	-10 to +55 °C, R.H. < 85%
Storage temperature	-10 to +55 °C, R.H. < 85%
<b>Housing</b>	
Dimensions	48 x 48 mm
Material	PA66
<b>Weight</b>	Approx. 95 g
<b>Approvals</b>	UL, CSA
<b>CE marking</b>	Yes
<b>EMC</b>	
Immunity	Electromagnetic Compatibility According to EN 61000-6-2
Emission	According to EN 61000-6-3
<b>Timer specifications</b>	According to EN 61812-1

## Mode of Operation

### Function Op

#### Delay on operate

The set delay period begins as soon as the power supply is connected. At the end of the set delay the relay operates and doesn't release until the power supply is interrupted for at least 100 ms.

### Function R

#### Symmetrical recycler (ON first)

The relay operates and the time period start as soon as the power is applied. At the end of the first set time period, the relay releases. At the end of the second time period (equal to the first), the relay operates again. This sequence continues with equal ON- and OFF- time periods until the power supply is interrupted for at least 100 ms.

### Function In

#### Interval

The relay operates and the time period begins as soon as the power is applied. The relay releases at the end of the time period or when the power supply is disconnected for at least 100 ms.

### Function Sh

#### One shot

The time period begins as soon as the power supply is connected and at the end of this period the relay operates for 1s.

## Function and Time Setting

### Lower left knob:

Setting of function  
**Op** - delay on operate  
**R** - simmetrical recycler  
**In** - interval  
**Sh** - one shot

### Lower right knob:

Time unit selector  
**0.1sec** (0.1 seconds)  
**sec** (seconds)  
**10sec** (10 seconds)  
**min** (minutes)  
**10m** (10 minutes)  
**hrs** (hours)  
**10h** (10 hours)

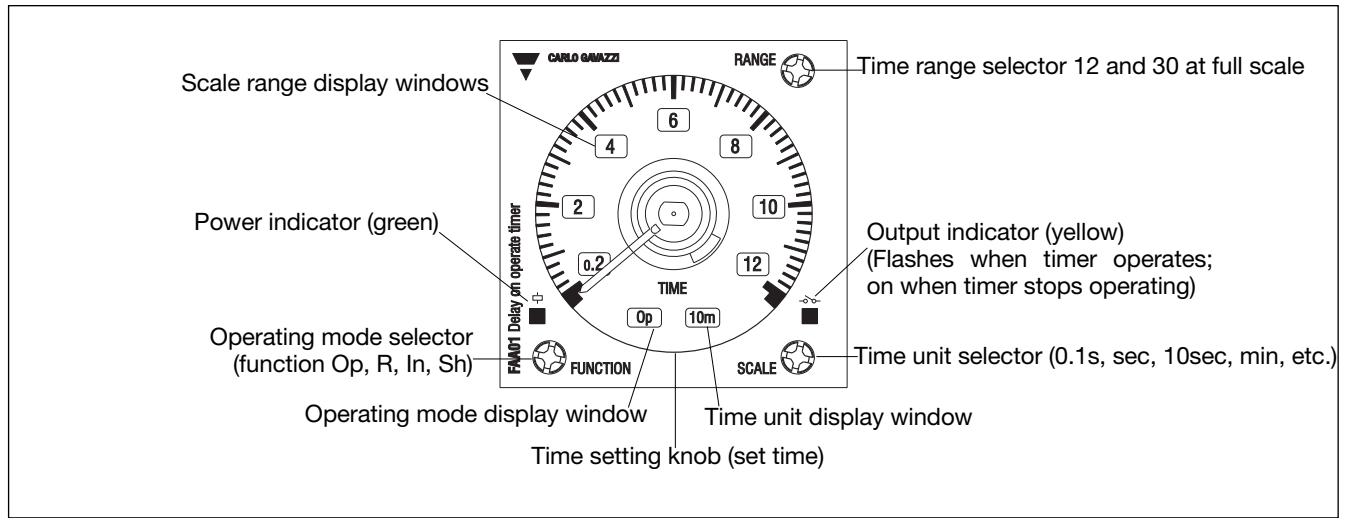
### Upper right knob:

Time range selector  
**12** or **30**

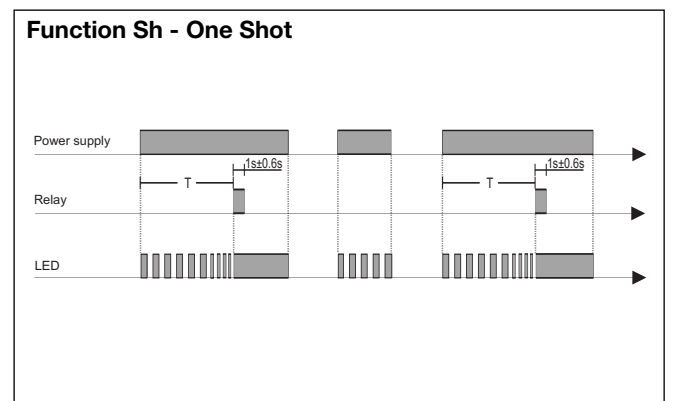
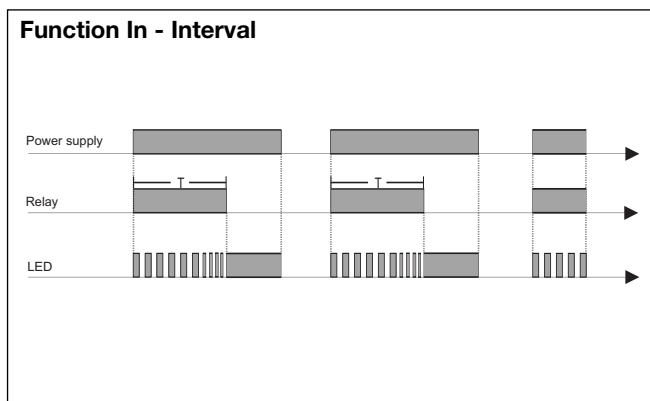
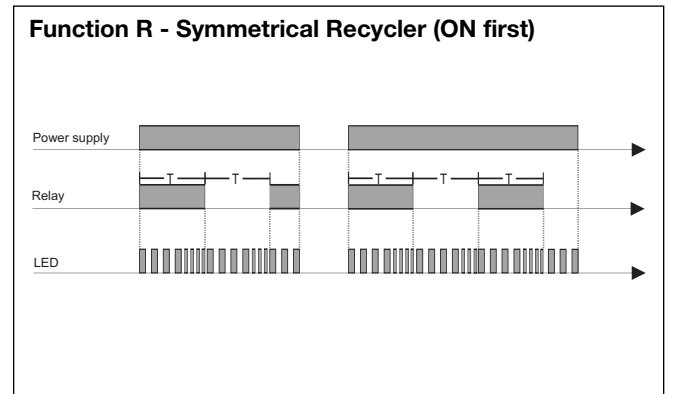
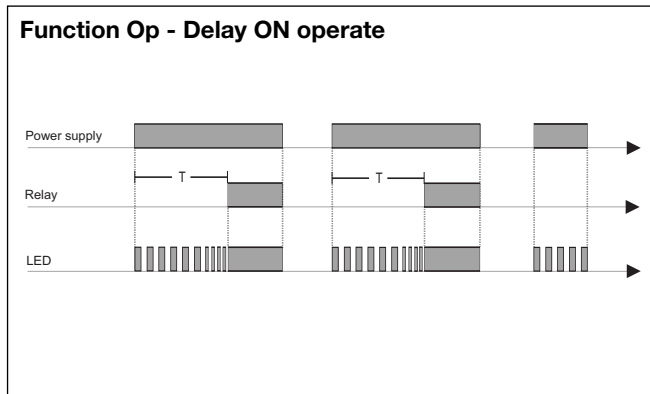
### Centre knob:

Time setting on absolute scale

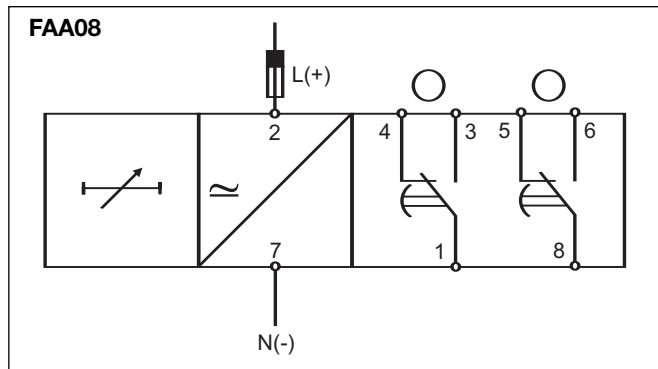
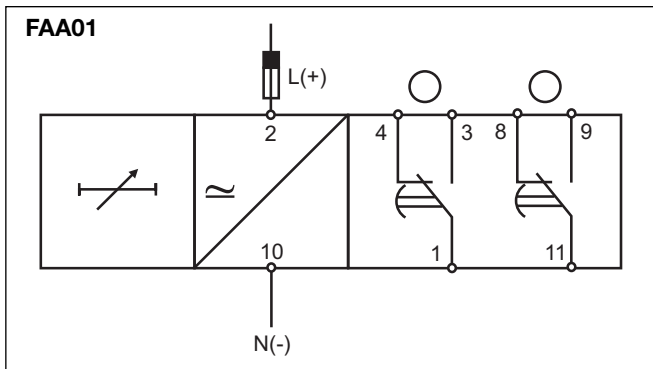
## Range and operation mode selection



## Operating Diagrams



## Wiring Diagrams



## Dimensions

