

Smart Dupline® Water Detection Sensor Type BSF-WAT-U

CARLO GAVAZZI



- 2-channel transmitter
- Integrated water sensor input
- Water resistant PCB with screw terminals
- Easily mountable with unique mounting bracket
- Bus supplied
- External input for Felson moisture cable

Product Description

The BSF-WAT-U is a water sensor developed to detect and react to even the smallest amounts of moisture and water before damage can occur.

It is part of the smart-house concept and it is designed to be used in the water alarm function supported by the smart-house controller.

Ordering Key

BSF WAT U

Decentral module

Water detector

Smart Dupline®

Type Selection

Housing

70 x 39 x 15.5 mm

Degree of protection

IP67

Bus Supplied

BSF-WAT-U

Input Specifications

Input

Open loop voltage
Trigger resistance

1 integrated water sensor in parallel with screw terminals for external sensor
< 8.0 VDC
150 – 470 KΩ

Response time

≤ 156 ms @ 128 channels

Dupline® Output Specifications

Voltage

8.2 V

Maximum Dupline® voltage

10 V

Minimum Dupline® voltage

5.5 V

Maximum Dupline® current

1.5 mA

Supply Specifications

Power supply

Bus supplied

General Specifications

Channel coding / Address assignment

If it is used with the SH2WEB24 the address assignment is automatic: the controller recognises the module through the SIN (Specific Identification Number) that has to be inserted in the SH tool. If it used with the BH8-CTRL-230, the channels have to be programmed by the BGP-COD-BAT

Environment

Degree of protection
Operating temperature
Storage temperature
Humidity (non condensing)

IP 67
-20° to +50°C (-4° to +122°F)
-50° to +85°C (-58° to + 185°F)
20 to 80%

Mechanical resistance

Shock
Vibration

15 G (11 ms)
2 G (6 to 55 Hz)

Connection

Screw terminals
D+
D-

0.2 to 1.5 mm²
Signal
GND

General Specifications

Housing	
Dimensions	70 x 39 x 15.5 mm
Material	ABS
Colour	White
CE Marking	Yes
EMC	
Immunity	EN 61000-6-2
- Electrostatic discharge	EN 61000-4-2
- Radiated radiofrequency	EN 61000-4-3
- Burst immunity	EN 61000-4-4
- Surge	EN 61000-4-5
- Conducted radio frequency	EN 61000-4-6
- Power frequency magnetic fields	EN 61000-4-8
- Voltage dips, variations, interruptions	EN 61000-4-11
Emission	EN 61000-6-3
- Conducted and radiated emissions	CISPR 22 (EN55022), cl. B
- Conducted emissions	CISPR 16-2-1 (EN55016-2-1)
- Radiated emissions	CISPR 16-2-3 (EN55016-2-3)

Mode of Operation

The BSF-WAT-U is fully programmable via the SH tool: the water sensor input can be associated to one or more water alarm functions supported by the smart-house system.

BSF-WAT-U connected to the SH2WEB24

Coding/Addressing
If the water detector module is connected to the SH2WEB24 controller, no addressing is needed since the module is provided with a specific identification number (SIN): the user has only to insert the SIN number in the SH tool when creating the system configuration.
Used channels: 2 input channels.

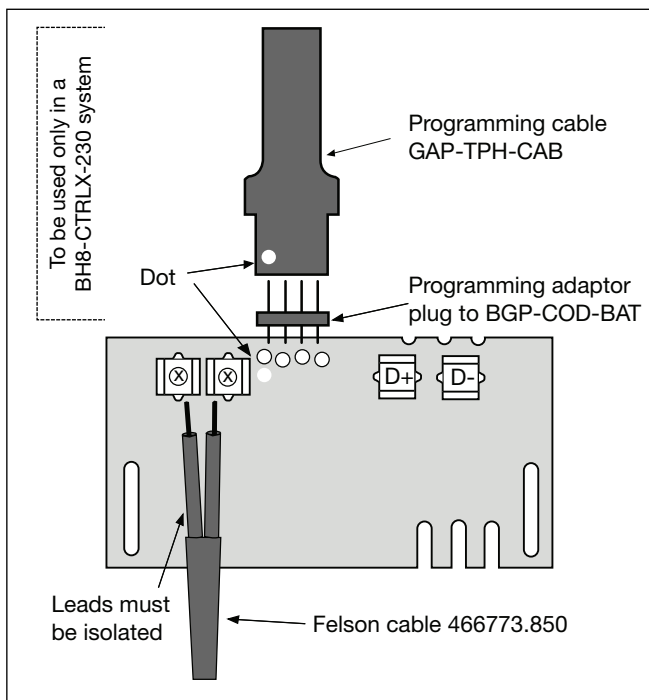
BSF-WAT-U connected to the BH8-CTRLX-230

Coding/Addressing
If the water detection module is connected to the BH8-CTRLX-230 controller, the user has to program the Dupline channels using the BGP-COD-BAT: this module has one input for the water sensor and one output channel.

I/O number 1: Water detection Pre-programmed to address N3.

I/O number 2: always ON (only where using waterstop) Not programmed.

Wiring Diagram



Dimensions

