

SBPILED



Carpark Indicator



Benefits

- **Easy and fast** installation
- Automatic temperature **compensation**
- Clearly visible LED indication in a **360° visual angle**
- Select between **8 LED colours** to indicate for instance "vacant", "occupied", "booked", "disabled people"
- **Straightforward commissioning**: programming and test by using the configuration software

Description

The SBPILED indicator is part of the Dupline® Carpark system, which contains other variants of sensors, controllers and displays.

The SBPILED indicator has to be installed outside the parking bay, in the driving lane.

It is used together with the SBPSUSL sensor if the sensor LEDs are not visible from the lane side.

The LED colours to use for status indication are freely configurable, and they can be changed in daily operation through the UWP 3.0 configuration software. Typically, green is used for "vacant", red is used for "occupied", blue is used for "disabled people" and amber is used for "booked".

Each sensor needs to be connected to the Dupline® 3-wire bus.

The bus provides power and enables the sensors to transmit the status to the carpark controller UWP 3.0 / SBP2CPY24, which keep track of the number of available parking spaces in an area and shows the result on the connected displays.

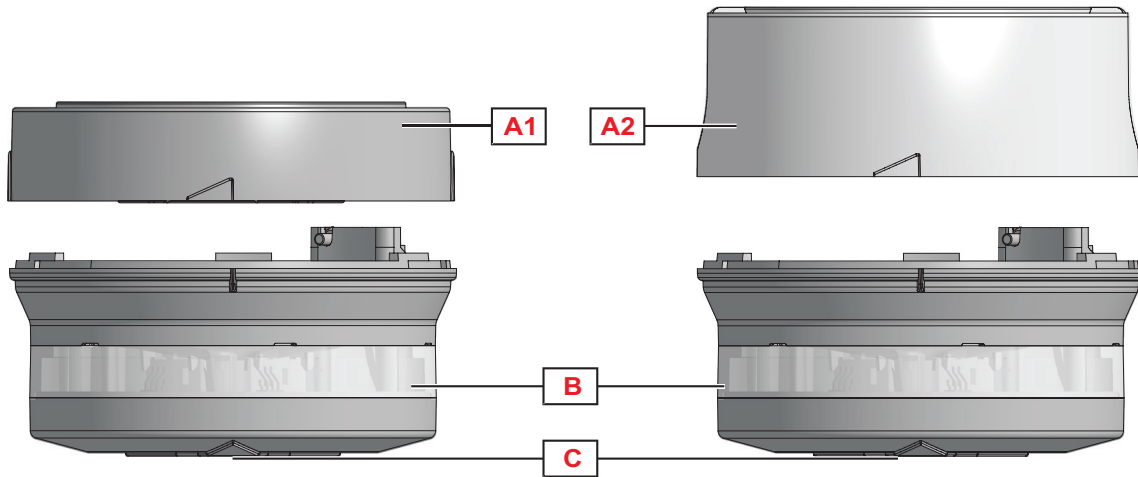
Applications

Parking Guidance Systems

Main functions

- Indication of cars presence in indoor parking space with coloured LED.

▶ Structure



Element	Component	Function	
A1 / A2	Carpark base holder. The available versions are:		
	Element	Code	Function
	A1	SBPBASEA	Small base for cable tray and conduit/pipe mounting
	A2	SBPBASEB	Tall base for ceiling mounting
	NOTE: The indicator is delivered without a base. Please order SBPBASEA or SBPBASEB separately		
B	High-bright RGB LEDs with a 360° visual angle	The LED colours indicate the parking bay status for the drivers	
C	Local addressing button	This can be used to perform the indicator addressing by pressing it locally	

Features

General

Material	ABS	
LED protection	Transparent polycarbonate	
Housing colour	Light grey	
Dimensions	Base SBPBASEA + Indicator	75.5 x 116 mm
	Base SBPBASEB + Indicator	94 x 116 mm
Weight	Base SBPBASEA + Indicator	175 g
	Base SBPBASEB + Indicator	200 g
RJ12 connector	Female: in base Male: with cable in indicator	Internal communication between indicator and base

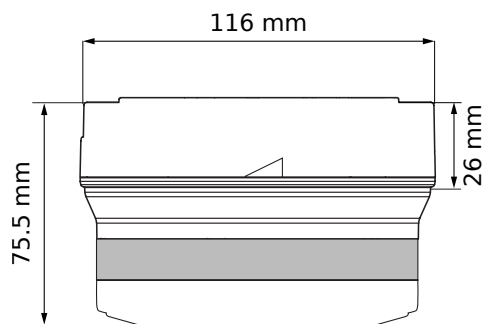


Fig. 1 Rail mounting - base A + Indicator

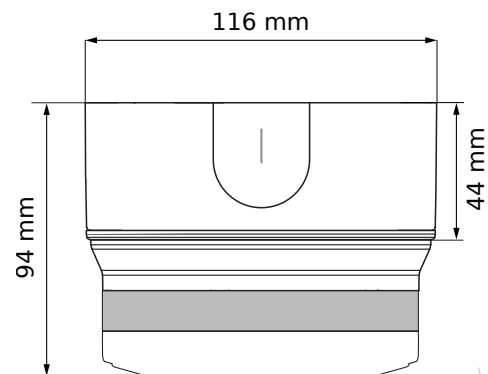


Fig. 2 Ceiling mounting - base B + Indicator

Environmental

Operating temperature	-40 to 70°C (-40 to 158°F)
Storage temperature	-40 to 80°C (-40 to 176°F)
Degree of protection	IP34 The circuit board is treated to be protected against fumes and fine dust. The indicator is protected against water dripping from the ceiling.
Impact protection	IK07
Humidity	5-98% Relative humidity
Pollution degree	3 (IEC60664)

Compatibility and conformity

CE-marking	
Approvals	

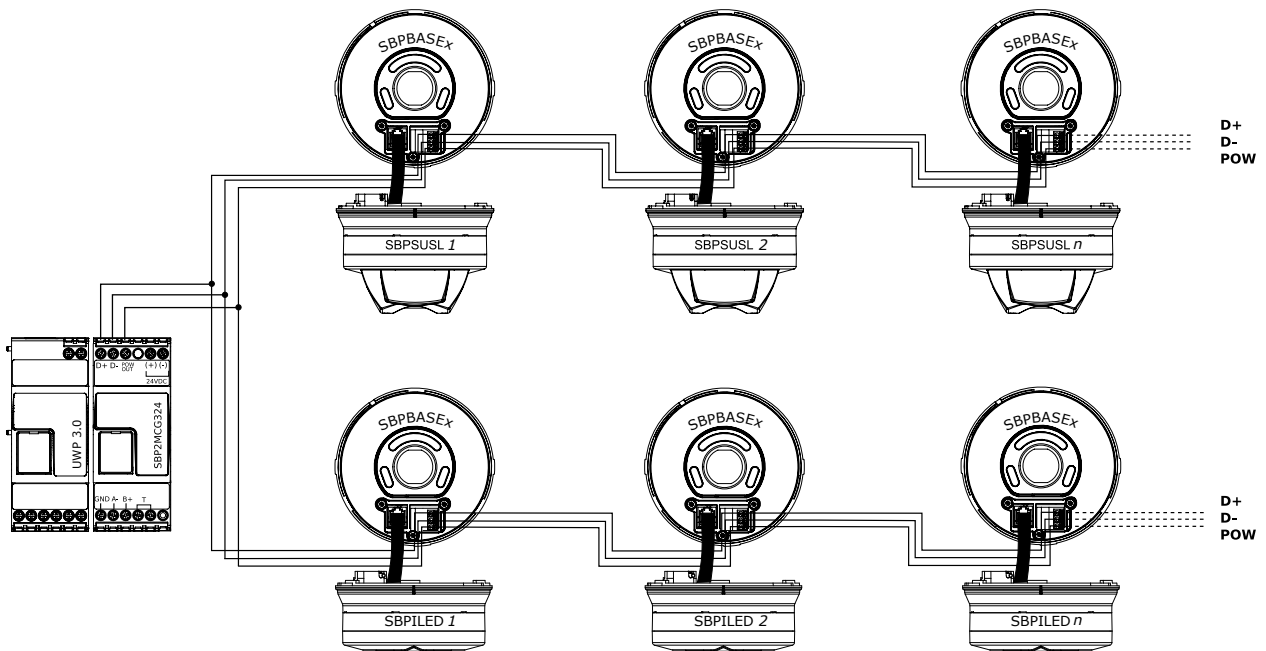
Power Supply

Power supply	By the Dupline® bus via the RJ12 connector; POW 20-28 Vdc
Current consumption	1 mA on the Dupline® bus; 27 mA on POW

Communication

Protocol	Smart-Dupline®
-----------------	----------------

Connection Diagram



Mode of operation

Installation

The SBPILED indicator should be placed outside the parking bay where it is highly visible to the drivers, as shown below:

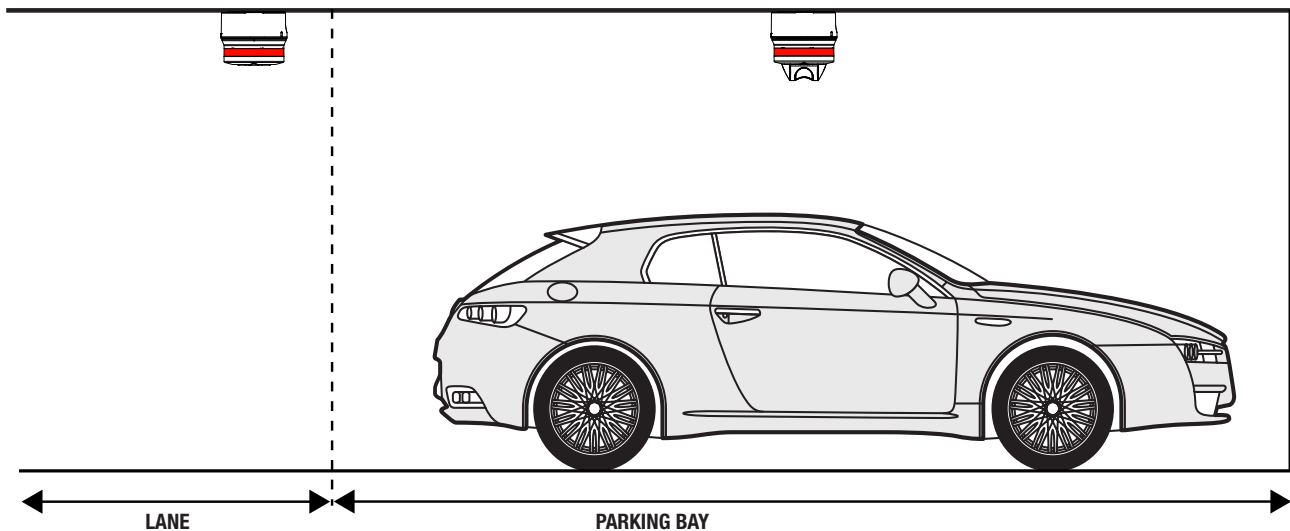


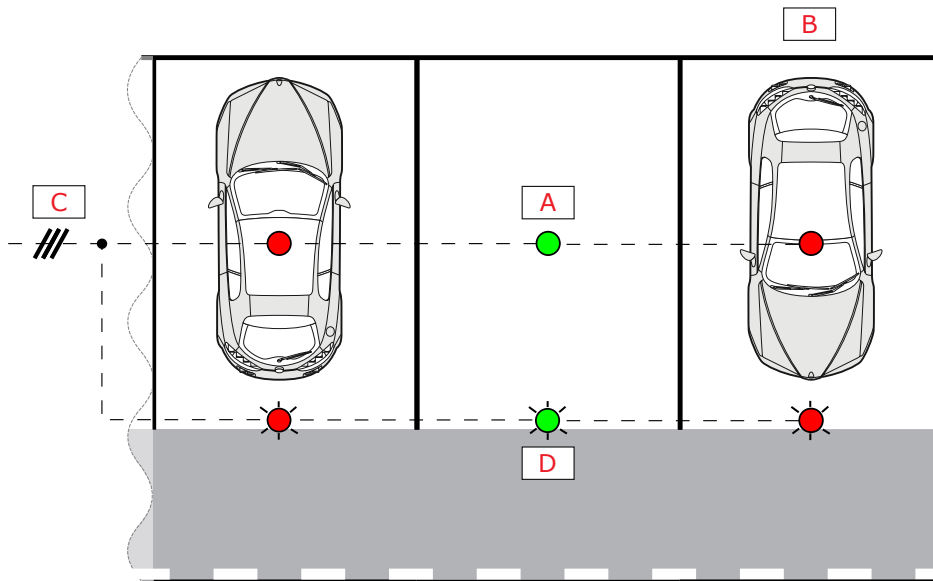
Fig. 3 Sensor and indicator positioning

One SBPILED indicator for each SBPSUSL sensor

If the LEDs are not visible to the drivers from the driving lane, one SBPILED indicator can be installed outside the parking bay in correspondence of the sensor to replicate its status.



Fig. 4 One SBPILED indicator associated to each SBPSUSL sensor



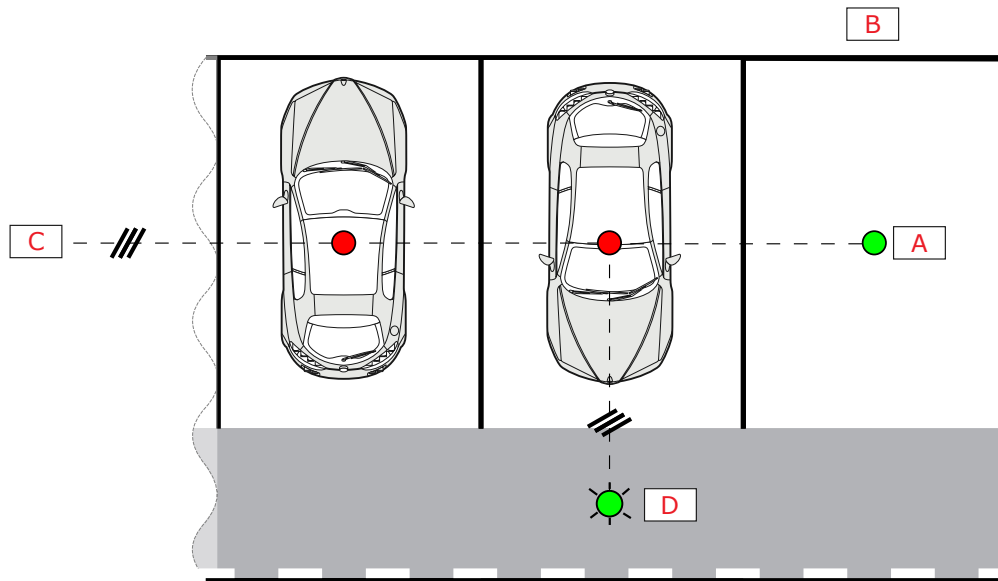
A	SBPSUSL (sensor)	C	Dupline® bus
B	Parking spaces	D	SBPILED (programmable LED indicator)

▶ One SBPILED indicator for many SBPSUSL sensors

One SBPILED indicator can be associated to many sensors: if all the parking bays are occupied, the SBPILED will be red. If at least one of the parking bays is vacant, the LED indicator will be green.



Fig. 5 One SBPILED indicator associated to three SBPSUSL sensors



A	SBPSUSL (sensor)	C	Dupline® bus
B	Parking spaces	D	SBPILED (programmable LED indicator)

SBPBASEx mounting

The indicator must be mounted on either base holder SBPBASEA (cable tray or conduit) or base holder SBPBASEB (ceiling mount).

Place the indicator with the vertical mark at the tip of the triangle base.

Turn the indicator clockwise until the vertical mark is positioned at the rear end of the triangle. The indicator is now attached to the base.

Release the sensor by turning it anti-clockwise.

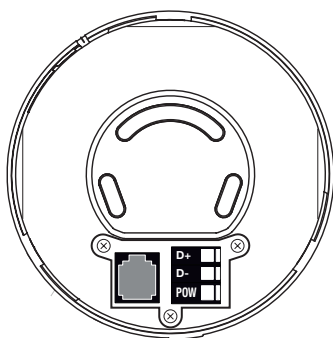


Fig. 6 Basepart: mounted on the ceiling

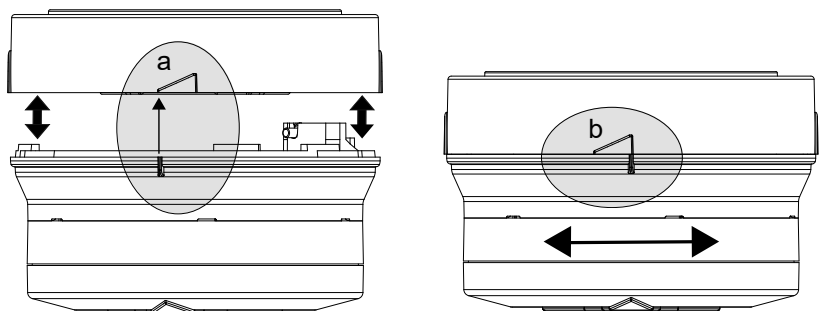


Fig. 7 Mount / Unmount

Configuration

When indicator and base are mounted and connected to the Dupline® 3-wire network with power and communication, they are ready for configuration.

The UWP 3.0 configuration software automatically scans the network and finds all the indicators, sensors and other connected devices.

Once this has been done, the user assigns addresses to the indicators and sensors connected simply by walking from sensor to sensor and pressing the configuration button in the bottom.

Then, by means of the configuration software, the SBPILED indicators can be configured and associated to one or many SBPSUSL sensors.

Please refer to the UWP 3.0 Carpark software manual for further details about configuration.

Sensor status and calibration

Status	Condition	LED status	Note
Normal	Bay is occupied	Colour for occupied	By default, the colour is configured to be red
	Bay is vacant	Colour for vacant	By default, the colour is configured to be green
Addressing procedure*	Disabled	Red/green, according to the programming	Module has no address
	Enabled	Yellow, normal flash	Module is waiting for receiving a new address
	Accepted	Green, fast flash (for 3 s.)	Module has received the new address
	Assigned	Green, normal flash	Module already has an address
Start-up		White, flash (for 3 s.)	If it is not white, LEDs are damaged

* Addressing procedure is described in the configuration manual.

All the LED status can be programmed by software

References

Further reading

Information	Document	Where to find it
Carpark installation	CP3 manual	www.productselection.net/MANUALS/UK/cp3_manual.pdf
UWP 3.0 installation guide	System manual	www.productselection.net/MANUALS/UK/system_manual.pdf
UWP 3.0 software manual	UWP 3.0 tool manual	www.productselection.net/MANUALS/UK/uwp3.0_tool.pdf
CP3 troubleshooting guide	Troubleshooting guide	www.productselection.net/MANUALS/UK/troubleshooting_guide.pdf
Installation manual	IM_SBPILED	www.productselection.net/MANUALS/UK/IM_SBPILED.pdf

Order code



SBPILED

Note: The indicator is delivered without a base. Please order SBPBASEA or SBPBASEB separately.

CARLO GAVAZZI compatible components

Purpose	Component name/code	Notes
Controller	UWP30RSEXXX	
Bus generator	SBP2MCG324	



COPYRIGHT ©2021
Content subject to change. Download the PDF: www.productselection.net