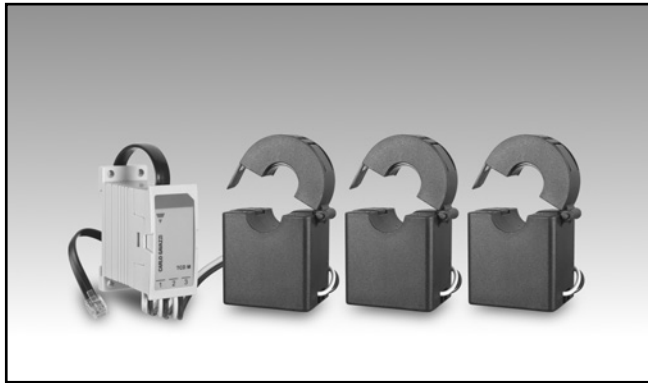


Energy Management

3-phase current transformers

Type TCD1M



- 3-phase current transformer set compatible to EM271 energy meter
- Primary current 100 A
- Hole size 15.7 mm
- Auto-detection of the primary current rated value by the EM271 energy meter
- For cable mounting
- Umbilical connection to EM271 energy meter through RJ11

Product description

Group of three split-core miniature current sensors to be used in combination with EM271 energy meter. Equipped with an RJ11 wire for a very fast installation. The energy meter automatically reads from TCD1M its

primary current rated value, saving time for the user set-up. It can be mounted directly on the cables whose current is to be monitored, without need to interrupt the load power supply.

How to order **TCD1M 100 80CM X**

Model _____
 Primary current _____
 Cable lenght _____
 Option _____

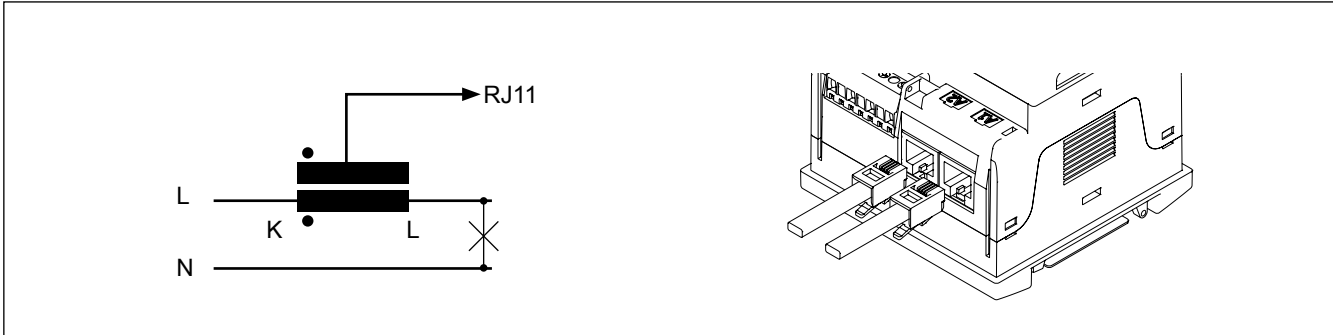
Type Selection

Primary current	Cable length (RJ11 side)	Option
100: 100A primary current input	80 CM: 80cm	X: none

Specification

Electrical specifications	Mechanical specification
Rated Primary Current 45/65Hz Current (continuos) Winding DC resistance at 20°C Secondary Output at Accuracy Linearity Phase error at rated current range Operating temperature range Storage temperature range Dielectric withstand voltage (Hi-pot) Impulse withstand voltage Insulation Resistance Max primary cable system voltage	Current transformer terminal Current transformer housing Opening Angle Approx weight Approvals Mounting Connections Protection Degree Hole Size
100A (1-120) 300A max 384Ω max 1% 0.5% ≤2° -40°C to +65°C (-40°F to 149°F) (R.H. < 90% non-condensing @ 40°C) -40°C to +65°C (-40°F to 149°F) (R.H. < 90% non-condensing @ 40°C) 2500V/1mA/1min 5kV Peak DC500V/100MΩ min 660V	150cm (UL1015 22AWG PVC wire, 0.20mm²) P6331 180 degree 290g CE Cable Mounting RJ11 IP20 Max 15.7mm

Wiring diagrams



Dimensions

