

Proximity Sensors Capacitive Level Detector, Flat Pack Polycarbonate Housing Type VC 5510

CARLO GAVAZZI



- Adjustable sensing distance 2-10 mm
- Rated operational voltage: 5 to 30 VDC
- Output: DC 100 mA, NPN or PNP
- Output: ON/OFF delay or no delay
- Make or break switching function
- LED indication when activated
- 1.5 m PVC cable
- IP65

Product Description

Capacitive level detector in flat pack housing, size 35 x 55 x 15 mm. Easy mounting with two M4 screws. Typical applications are in whirlpools (jacuzzis) for switching ON/

OFF the heating element, starting and stopping the air pump, controlling the level of the water, the level of the desinfection fluid etc.

Ordering Key

VC 55 10 NNOPT

Type _____
 Housing _____
 Range _____
 Output type _____
 Housing material _____
 Output ON/OFF delay _____

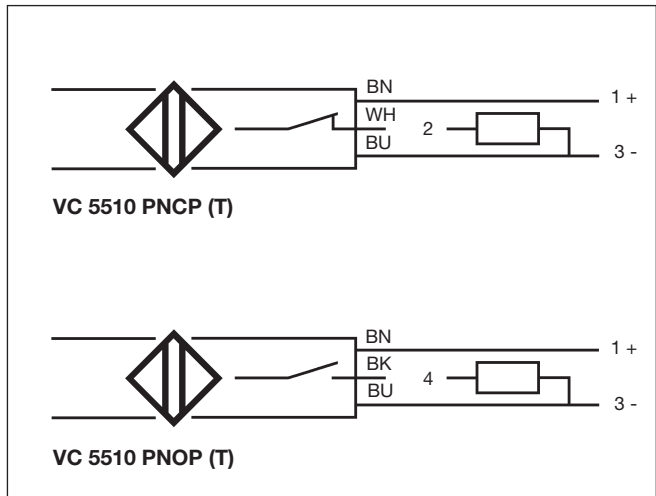
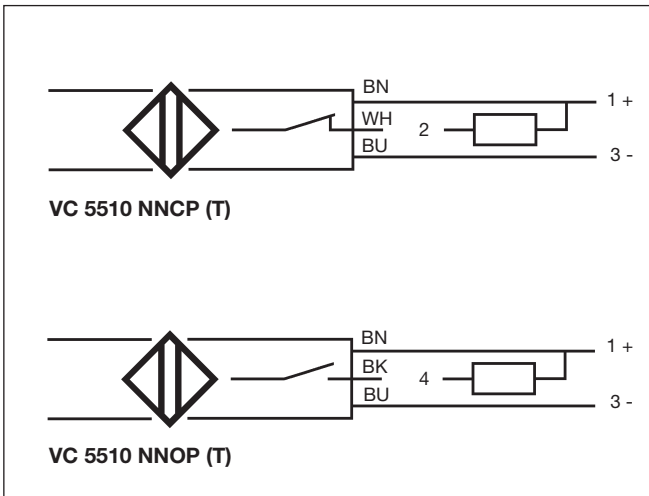
Type Selection

| Housing dimensions W x H x D | Rated operating dist. (S _n) | Output | Ordering no. NPN Make switching | Ordering no. NPN Break switching | Ordering no. PNP Make switching | Ordering no. PNP Break switching |
|---------------------------------|---|--------------|---------------------------------------|--|---------------------------------------|--|
| 35 x 55 x 15 | 10 mm | No delay | VC 5510 NNOP | VC 5510 NNCP | VC 5510 PNOP | VC 5510 PNCP |
| 35 x 55 x 15 | 10 mm | ON/OFF delay | VC 5510 NNOPT | VC 5510 NNCPT | VC 5510 PNOPT | VC 5510 PNCPT |

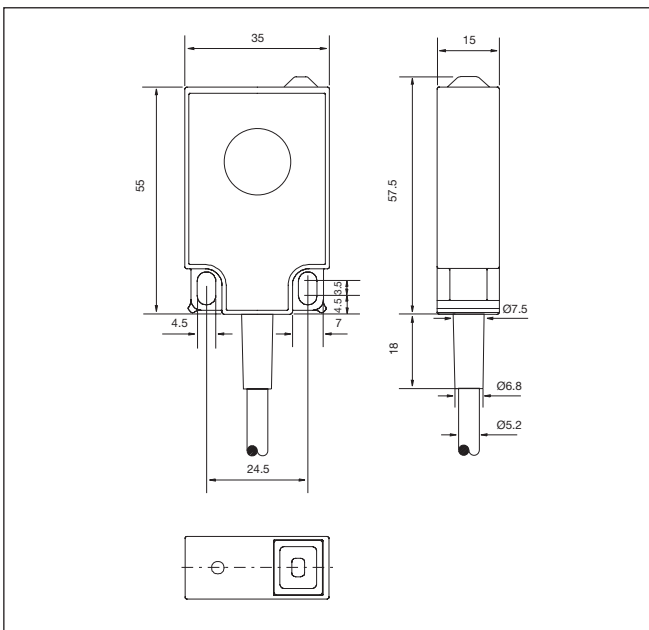
Specifications

| | | | | |
|--|--|--|---|--|
| Rated operation dist. (S_n) | 2-10 mm factory set at 10 mm | Delay xNxP xNxPT | ON OFF ON OFF | t _{ON} < 40 ms t _{OFF} < 40 ms 1s < t _{ON} < 5 s (typ. 3 s) 1s < t _{OFF} < 5 s (typ. 3 s) |
| Sensitivity | Adj. single turn pot. meter | | | |
| Effective operating dist. (S_r) | 0.9 x S _n ≤ S _r ≤ 1.1 x S _n | Indication when activated | LED, red | |
| Usable operating dist. (S_u) | 0.8 x S _r ≤ S _u ≤ 1.2 x S _r | Environment Degree of protection | IP 65 | |
| Assured operating dist. (S_a) | 0 ≤ S _a ≤ 0.81 S _n | Temperature Operating temperature Storage temperature | -0° to +50°C (+32° to +122°F) -30° to +80°C (-22° to +176°F) | |
| Hysteresis (H) | 3-20% of sensing dist. | Housing material | PC/ABS, grey | |
| Rated operational volt. (U_e) | 5 to 30 VDC (ripple included) | Connection Cable | 1.5 m, 3 x 0.3 mm ² grey PVC, oil proof | |
| Ripple | ≤ 10% | Weight | 40 g | |
| Rated operational current (I_e) Continuous | ≤ 100 mA | Approvals | UL | |
| No-load supply current (I_o) | ≤ 10 mA | CE-marking | Yes | |
| Voltage drop (U_d) | ≤ 1.5 VDC at max. load | | | |
| Power ON delay xNxP xNxPT | Max. 40 ms Max. 5 s | | | |
| Frequency of operating cycles xNxP xNxPT | ≥ 15 Hz > 0.1 Hz (depending upon delay time) | | | |

Wiring Diagrams



Dimensions



Delivery Contents

- Capacitive switch: VC 5510
- Packaging: plastic bag