

Instruction Manual Base Instrument

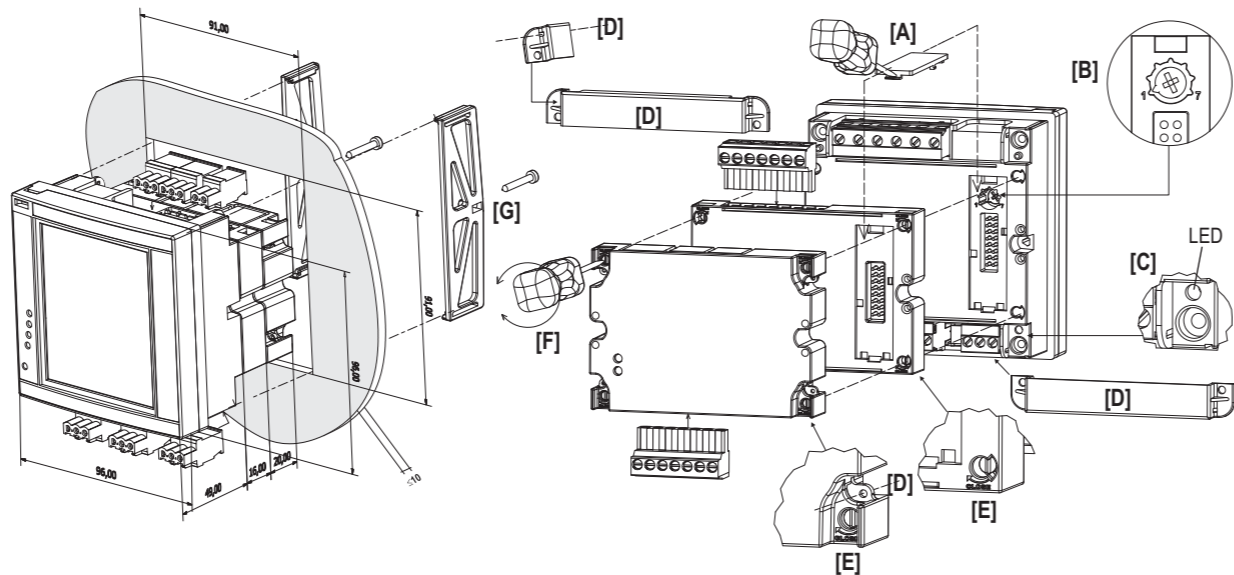
Thank you
for choosing our products.

Grazie
per aver scelto i nostri prodotti.

Wir danken
Ihnen dafür, dass Sie unsere
Produkte gewählt haben.

Gracias
por elegir nuestros productos.

Merci
d'avoir choisi nos produits.



ENGLISH

Read carefully the instruction manual. If the instrument is used in a manner not specified by the producer, the protection provided by the instrument may be impaired. **Maintenance:** make sure that the connections are correctly carried out in order to avoid any malfunctioning or damage to the instrument. To keep the instrument clean, use a slightly damp cloth; do not use any abrasives or solvents. We recommend to disconnect the instrument before cleaning it.

WARNING: to make sure that the screw tightening torque is 0.5Nm. ALL THE MOUNTING AND DISASSEMBLY OPERATIONS OF THE INSTRUMENT AND MODULES HAVE TO OCCUR WHEN POWER SUPPLY AND THE LOADS ARE NOT CONNECTED.

Preliminary operations: if necessary remove the protection cover of the contacts [A], using a properly screwdriver.

Lock the programming and LED of power supply on: to lock the acces to the programming of the instrument turning (clockwise) the rotary switch [B] to position 7. To unlock the programming come-back the rotary switch to the position 1. The green LED [C] on warns that the instrument is power supplied.

The instrument and modules sealing: to lock the modules turning (clockwise) the property fixing elements on the corners [E], using a properly screwdriver [F]. To seal the instrument use the dedicated covers and holes [D].
Bracket tightening torque: 0.4 Nm max [G].

■ WIRING DIAGRAMS

- [1] 3-ph, 2-wire, balanced load, 1-CT connection.
- [2] 3-ph, 2-wire, balanced load, 1-CT and 1-VT/PT connections
- [3] 3-ph, 4-wire, unbalanced load, 3-CT connection
- [4] 3-ph, 4-wire, unbalanced load, 3-CT and 3-VT/PT connections
- [5] 3-ph, 3-wire, unbalanced load, 3-CT connection
- [6] 3-ph, 3-wire unbalanced load, 3-CT and 2-VT/PT connections
- [7] 3-ph, 3-wire, balanced load, 1-CT connections
- [8] 3-ph, 3-wire, unbalanced load, 2-CT connections (ARON)
- [9] 3-ph, 3-wire, balanced load, 1-CT and 2-VT/PT connections
- [10] 2-ph, 3-wire, 2-CT connection
- [11] 2-ph, 3-wire, 2-CT and 2-VT/PT connections
- [12] 1-ph, 2-wire, 1-CT connection
- [13] 1-ph, 2-wire, 1-CT and 1-VT connections
- [14] 3-ph, 3-wire, unbalanced load, 2-CT and 2-VT/PT connections ARON
- [15] Power supply 90 to 260VAC/DC. F=250V [T] 630mA.
Power supply 18 to 60VAC/DC. F=250V [T] 3.15A.

ITALIANO

Leggere attentamente il manuale di istruzioni. Qualora l'apparecchio venisse adoperato in un modo non specificato dal costruttore, la protezione prevista dall'apparecchio potrebbe essere compromessa. **Manutenzione:** Per mantenere pulito lo strumento usare un panno inumidito; non usare abrasivi o solventi. Si consiglia di scollegare lo strumento prima di eseguire la pulizia.

ATTENZIONE: assicurarsi che la coppia di serraggio applicata alle viti dei morsetti sia di: 0,5Nm. TUTTE LE OPERAZIONI DI MONTAGGIO E SMONTAGGIO DELLO STRUMENTO E DEI MODULI VANNO ESEGUITE CON ALIMENTAZIONE E CARICO SCOLLEGATI.

Operazione preliminare: smontare, se necessario, la finestra di protezione dei contatti [A], utilizzando un apposito cacciavite a taglio.

Blocco della programmazione e LED di presenza alimentazione: per bloccare la programmazione dello strumento agire (ruotandolo in senso orario) sul commutatore rotante [B] portandolo nella posizione 7, per sbloccare la programmazione portarlo nella posizione 1. Il LED verde acceso [C] avvisa che lo strumento è alimentato.

Sigillatura dei moduli e dello strumento: per bloccare i moduli agire (ruotandoli in senso orario) sugli appositi elementi di fissaggio posti agli angoli dei moduli stessi [E], utilizzando un adeguato cacciavite a taglio [F]. Il sigillo va apposto utilizzando i fori e i copri morsetti dedicati [D]. Coppia di serraggio delle staffe: 0,4 Nm max [G].

■ COLLEGAMENTI ELETTRICI

- [1] 3 fasi, 2 fili, carico equilibrato, connessione con 1 TA
- [2] 3 fasi, 2 fili, carico equilibrato, connessione con 1TA e 1 VT
- [3] 3 fasi, 4 fili, carico squilibrato, connessione con 3 TA
- [4] 3 fasi, 4 fili, carico squilibrato, connessione con 3 TA e 3 TV
- [5] 3 fasi, 3 fili, carico squilibrato, connessione con 3 TA
- [6] 3 fasi, 3 fili, carico squilibrato, connessione con 3 TA e 2 TV
- [7] 3 fasi, 3 fili, carico equilibrato, connessione con 1 TA
- [8] 3 fasi, 3 fili, carico squilibrato, connessione con 2 TV (ARON)
- [9] 3 fasi, 3 fili, carico equilibrato, connessione con 1 TA e 2 TV
- [10] 2 fasi, 3 fili, connessioni con 2 TA
- [11] 2 fasi, 3 fili, connessioni con 2 TA e 2 VT
- [12] 1 fase, 2 fili, connessione con 1TA
- [13] 1 fase, 2 fili, connessione con 1 TA e 1 TV
- [14] 3 fasi, 3 fili, carico squilibrato, connessione con 2 TA e 2 TV (ARON)
- [15] Alimentazione da 90 a 260VCA/CC. F=250V [T] 630mA.
Alimentazione da 18 a 60VCA/CC. F=250V [T] 3.15A.

DEUTSCH

Die Betriebsanleitung aufmerksam lesen. Sollte das Gerät nicht gemäss der Herstellerangaben verwendet werden, könnte der vom Gerät vorgesehene Schutz beeinträchtigt werden. **Wartung:** Das Gerät mit einem feuchten Tuch reinigen; keine Scheuer- oder Lösemittel verwenden. Das Gerät vor der Reinigung ausschalten

ACHTUNG: Darauf achten, dass das Anzugsmoment der Klemmschrauben 0,5Nm beträgt. SOWOHL BEI DER MONTAGE, ALS AUCH BEIM AUSBAU DES GERÄTES UND DER MODULE MÜSSEN STROMVERSORGUNG UND STROMLAST STETS VORHER ABGETRENNT WERDEN.

Vorbereitung: Gegebenenfalls das Schutzfenster der Kontakte [A] mit einem Schlitzschraubenzieher entfernen.

Programmierungssperre und LED Stromversorgung vorhanden: Um die Programmierung des Gerätes zu sperren, den Drehschalter [B] im Uhrzeigersinn auf Position 7 drehen, für die erneute Freigabe auf Position 1. Das Leuchten der grünen LED [C] zeigt an, dass das Gerät mit Strom versorgt wird.

Versiegelung der Module und des Geräts: Die Befestigung der Module erfolgt (durch Drehen derselben im Uhrzeigersinn) über die an den Ecken vorgesehenen Befestigungselemente [E], mit Hilfe eines passenden Schlitzschraubenziehers [F]. Das Siegel wird über die hierfür vorgesehenen Löcher und Klemmendeckel [D] angebracht. Befestigungsbügel Anzugsmoment: max 0,4 Nm [G].

■ ELEKTRISCHES ANSCHLÜSSE

- [1] 3 Phasen, 2 Adern, symmetrische Last, Anschluss mit 1 TA
- [2] 3 Phasen, 2 Adern, symmetrische Last, Anschluss mit 1 TA und 1 TV
- [3] 3 Phasen, 4 Adern, unsymmetrische Last, Anschluss mit 3 TA
- [4] 3 Phasen, 4 Adern, unsymmetrische Last, Anschluss mit 3 TA und 3 TV
- [5] 3 Phasen, 3 Adern, unsymmetrische Last, Anschluss mit 3 TA

- [6] 3 Phasen, 3 Adern, unsymmetrische Last, Anschluss mit 3 TA und 2 TV
- [7] 3 Phasen, 3 Adern, symmetrische Last, Anschluss mit 1 TA
- [8] 3 Phasen, 3 Adern, unsymmetrische Last, Anschluss mit 2 TV (ARON)
- [9] 3 Phasen, 3 Adern, symmetrische Last, Anschluss mit 1 TA und 2 TV
- [10] 2 Phasen, 3 Adern, Anschlüsse mit 2 TA
- [11] 2 Phasen, 3 Adern, Anschlüsse mit 2 TA und 2 VT
- [12] 1 Phase, 2 Adern, Anschluss mit 1 TA
- [13] 1 Phase, 2 Adern, Anschluss mit 1 TA und 1 TV
- [14] 3 Phasen, 3 Adern, unsymmetrische Last, Anschluss mit 2 TA und 2 TV (ARON)
- [15] Stromversorgung von 90 bis 260 VAC/DC. F=250V [T] 630mA.
Stromversorgung von 18 bis 60 VAC/DC. F=250V [T] 3.15A.

FRANÇAIS

Lire attentivement le manuel de l'utilisateur. Si l'appareil est utilisé dans des conditions différentes de celles spécifiées par le fabricant, le niveau de protection prévu par l'instrument peut être compromis. **Entretien:** Pour nettoyer l'instrument, utiliser un chiffon humide; ne pas utiliser d'abrasifs ou de solvants. Il faut déconnecter le dispositif avant de procéder au nettoyage.

ATTENTION: s'assurer que le couple de serrage appliqué aux vis des bornes soit de: 0,5Nm. POUR TOUTES LES OPÉRATIONS DE MONTAGE ET DÉMONTAGE DE L'INSTRUMENT ET DES MODULES IL FAUT QUE L'ALIMENTATION ET LA CHARGE SOIENT DÉBRANCHÉES.

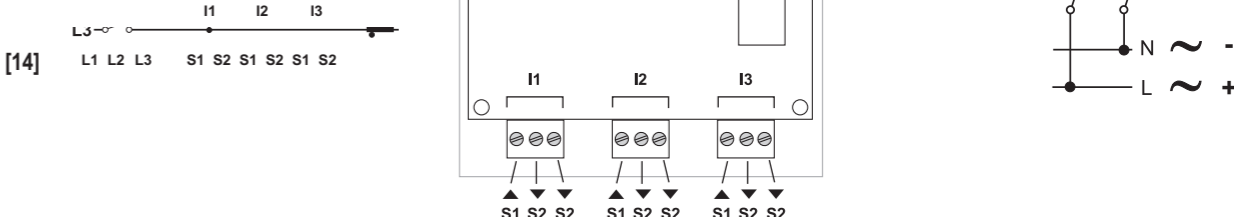
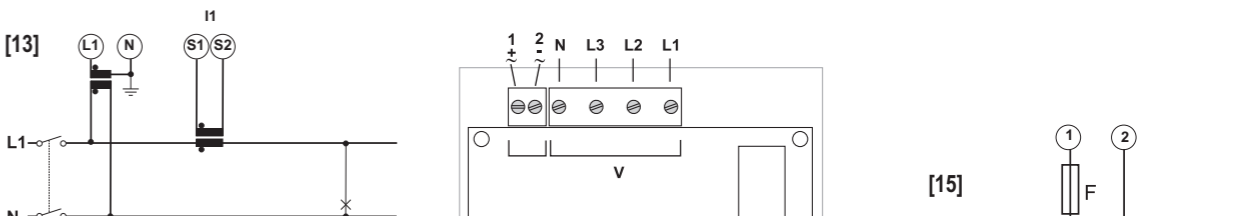
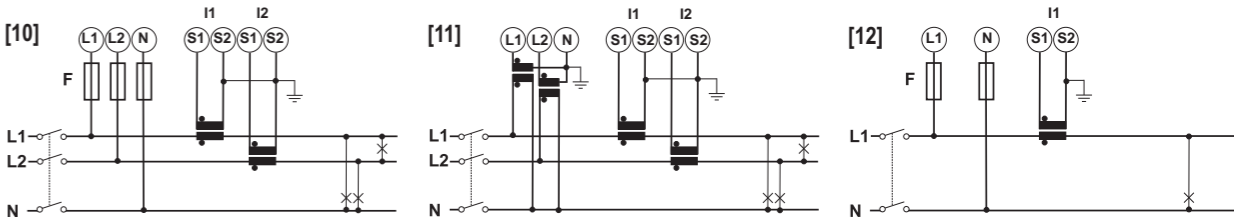
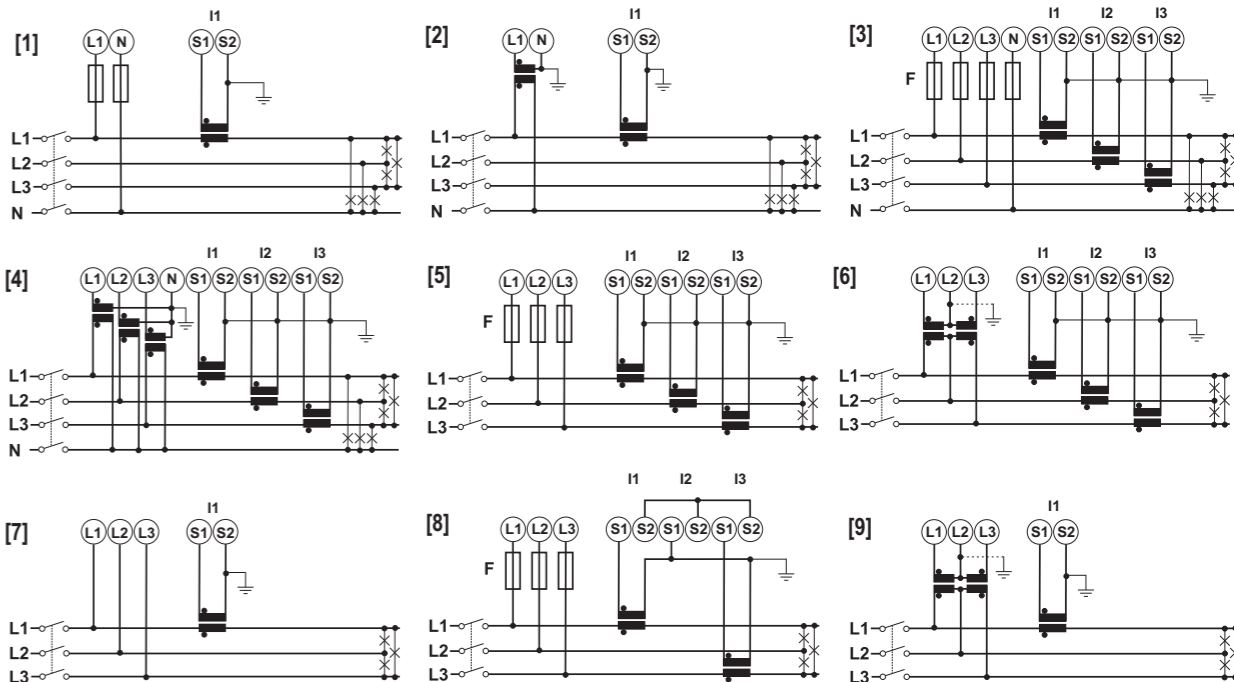
Opération préliminaire: démonter, si nécessaire, la fenêtre de protection des contacts [A], en utilisant un tournevis plat approprié.

Bloqueo de la programación y LED de presencia de alimentación: para bloquear la programación de l'instrument, agir (en le tournant dans le sens des aiguilles d'une montre) sur le commutateur rotatif [B] en le mettant sur la position 7, pour débloquent la programmation, le mettre sur la position 1. Le LED vert allumé [C] signale que l'instrument est alimenté.

Sceller les modules et l'instrument: pour bloquer les modules, agir (en les tournant dans le sens des aiguilles d'une montre) sur les éléments de fixation prévus à cet effet, situés aux angles des modules mêmes [E], en utilisant un tournevis plat adéquat [F]. Le sceau doit être posé en utilisant les trous et les couvre-bornes prévus pour à cet effet [D]. Couple de serrage des vis de l'étrier de maintien: 0,4 Nm max [G].

■ BRANCHEMENTS ÉLECTRIQUES

- [1] 3 phases, 2 fils, charge équilibrée, connexion avec 1 TA
- [2] 3 phases, 2 fils, charge équilibrée, connexion avec 1TA et 1 TV
- [3] 3 phases, 4 fils, charge déséquilibrée, connexion avec 3 TA
- [4] 3 phases, 4 fils, charge déséquilibrée, connexion avec 3 TA et 3 TV
- [5] 3 phases, 3 fils, charge déséquilibrée, connexion avec 3 TA
- [6] 3 phases, 3 fils, charge déséquilibrée, connexion avec 3 TA et 2 TV
- [7] 3 phases, 3 fils, charge équilibrée, connexion avec 1 TA
- [8] 3 phases, 3 fils, charge déséquilibrée, connexion avec 2 TV (ARON)
- [9] 3 phases, 3 fils, charge équilibrée, connexion avec 1 TA et 2 TV
- [10] 2 phases, 3 fils, connexions avec 2 TA
- [11] 2 phases, 3 fils, connexions avec 2 TA et 2 VT
- [12] 1 phase, 2 fils, connexion avec 1TA
- [13] 1 phase, 2 fils, connexion avec 1 TA et 1 TV
- [14] 3 phases, 3 fils, charge déséquilibrée, connexion avec 2 TA et 2 TV (ARON)
- [15] Alimentation de 90 à 260VCA/CC. F=250V [T] 630mA.
Alimentation de 18 à 60VCA/CC. F=250V [T] 3.15A.



ESPAÑOL

Lea atentamente el manual de instrucciones. Si el instrumento se usa de modo distinto al indicado por el fabricante, la protección de seguridad ofrecida por el instrumento podrá resultar dañada. **Mantenimiento:** para limpiar el equipo utilizar siempre un trapo ligeramente humedecido, nunca productos abrasivos o disolventes. Se recomienda desconectar siempre el instrumento antes de limpiarlo.

ATENCIÓN: asegúrese de que el par de apriete aplicado a los tornillos sea de: 0,5Nm. TODAS LAS OPERACIONES DE MONTAJE Y DESMONTAJE DEL INSTRUMENTO Y DE LOS MÓDULOS DEBE REALIZARSE CON LA ALIMENTACIÓN Y LA CARGA DESCONECTADAS.

Operación preliminar: desmonte, si lo necesita, la ventana de protección de los contactos [A], utilizando su propio destornillador de punta plana.

Bloqueo de la programación y LED de alimentación ON: para bloquear la programación del instrumento gire en el sentido de las agujas del reloj el conmutador giratorio [B] llevándolo a la posición 7, para desbloquear la programación lívelo a la posición 1. El LED verde encendido [C] indica que el instrumento está alimentado.

Sellado de los módulos y del instrumento: para bloquear los módulos gire en el sentido de las agujas del reloj los específicos elementos de fijación de los extremos de los módulos [E], utilizando un adecuado destornillador de punta plana [F]. Para sellar el equipo use las cubiertas y orificios específicos [D]. Par de apriete del soporte: 0,4 Nm máx [G].

■ CONEXIONES ELÉCTRICAS

- [1] Trifásico, 2 hilos, carga equilibrada, conexión mediante 1 CT
- [2] Trifásico, 2 hilos, carga equilibrada, conexión mediante 1 CT y 1 VT/PT
- [3] Trifásico, 4 hilos, carga desequilibrada, conexión mediante 3 CT
- [4] Trifásico, 4 hilos, carga desequilibrada, conexión mediante 3 CT y 3 VT/PT
- [5] Trifásico, 3 hilos, carga desequilibrada, conexión mediante 3 CT
- [6] Trifásico, 3 hilos, carga desequilibrada, conexión mediante 3 CT y 2 VT/PT
- [7] Trifásico, 3 hilos, carga equilibrada, conexión mediante 1 CT
- [8] Trifásico, 3 hilos, carga desequilibrada, conexión mediante 2 CT (ARON)
- [9] Trifásico, 3 hilos, carga equilibrada, conexión mediante 1 CT y 2 VT/PT
- [10] Bifásico, 3 hilos, conexiones mediante 2 CT
- [11] Bifásico, 3 hilos, conexiones mediante 2 CT y 2 VT/PT
- [12] Monofásico, 2 hilos, conexión mediante 1 CT
- [13] Monofásico, 2 hilos, conexión mediante 1 CT y 1 VT/PT
- [14] Trifásico, 3 hilos, carga desequilibrada, conexión mediante 2 CT y 2 VT/PT (ARON)
- [15] Alimentación de 90 a 260VCA/CC. F=250V [T] 630mA.
Alimentación de 18 a 60VCA/CC. F=250V [T] 3.15A.
CT = Trafo de intensidad, VT = Trafo de tensión, PT = Trafo de potencia

ENGLISH

Rated inputs, system type: 1, 2 or 3-phase. Galvanic insulation by means of built-in CT's. Current range (by CT) AV5 and AV6: 5(6)A; AV4 and AV7: 1(2)A. Voltage (by direct connection or VT/PT) AV4, AV5: 400/690VLL; AV6, AV7: 100/208VLL. **Accuracy** (Display + RS485) (@25°C ±5°C, R.H. ≤60%, 48 to 62 Hz). In: see below, Un: see below AV4 model In: 1A, Imax: 2A; Un: 160 to 480VLN (277 to 830VLL). AV5 model In: 5A, Imax: 6A; Un: 160 to 480VLN (277 to 830VLL). AV6 model, In: 5A, Imax: 6A; Un: 40 to 144VLN (70 to 250VLL), AV7 model In: 1A, Imax: 2A; Un: 40 to 144VLN (70 to 250VLL). Current AV4, AV5, AV6, AV7 models from 0.01In to 0.05In: ±(0.5% RDG +2DGT). From 0.05In to Imax: ±(0.2% RDG +2DGT). Phase-neutral voltage: In the range Un: ±(0,2% RDG +1DGT). Phase-phase voltage: In the range Un: ±(0.5% RDG +1DGT). Frequency: ±0.1Hz (45 to 65Hz). Active and Apparent power: 0.01In to 0.05In, PF 1: ±(1%RDG+1DGT). From 0.05In to Imax PF 0.5L, PF1, PF0.8C: ±(0.5%RDG+1DGT). Power Factor ±[0.001+0.5%(1.000 - "PF RDG")]. Reactive power 0.1In to Imax, senp 0.5L/C: ±(1%RDG+1DGT). 0.05In to 0.1In, senp 0.5L/C: ±(1.5%RDG+1DGT). 0.05In to Imax, senp 1: ±(1%RDG+1DGT) 0.02In to 0.05In, senp 1: ±(1.5%RDG+1DGT). Active energy, class 0.5 according to EN62053-22, ANSI C12.20, class C according to EN50470-3. Reactive energy class 1 according to EN62053-23, ANSI C12.1. Start up current AV5, AV6: 5mA. Start up current AV4, AV7 1mA. **Energy additional errors**: according to EN62053-22, ANSI C12.20. Influence quantities, class B or C according to EN50470-3. EN62053-23, ANSI C12.1. **Total Harmonic Distortion (THD)** ±1% FS (FS: 100%). AV4: Imin: 5mARMS; Imax: 3Ap; Umin: 30VRMS; Umax: 679Vp. AV5: Imin: 5mARMS; Imax: 15Ap; Umin: 30VRMS; Umax: 679Vp. AV6: Imin: 5mARMS; Imax: 15Ap; Umin: 30VRMS; Umax: 204Vp. AV7: Imin: 5mARMS; Imax: 3Ap; Umin: 30VRMS; Umax: 204Vp. **Temperature drift** ≤200ppm/°C. **Sampling rate** 3200 samples/s @ 50Hz, 3840 samples/s @ 60Hz. Method TRMS measurements of distorted wave forms. Coupling type by means of CT's. **Crest factor**, AV5, AV6: ≤3 (15A max. peak), AV4, AV7: ≤3 (3A max. peak). **Current Overloads**, continuous (AV5 and AV6) 6A, @ 50Hz. Continuous (AV4 and AV7) 2A, @ 50Hz. For 500ms (AV5 and AV6) 120A, @ 50Hz. For 500ms (AV4 and AV7) 40A, @ 50Hz. **Voltage Overloads**, continuous (AV4 and AV5) 830 VLL, continuous (AV6 and AV7) 250 VLL. For 500 ms (AV4 and AV5) 1380 VLL, for 500 ms (AV6 and AV7) 415 VLL. **Input impedance**, 400VL-L (AV4 and AV5) >1.6MΩ; 208VL-L (AV6 and AV7) >1.6MΩ. 5(10)A (AV5 and AV6) <0.2VA. 1(2)A (AV4 and AV7) <0.2VA. **Frequency** 40 to 440 Hz. **Meters**. Total 4 (9+1 digit). Partial 4 (9+1 digit). **Pulse output** connectable to total and/or partial meters. **Energy meter recording**, storage of total and partial energy meters. Energy meter storage format (EEPROM) Min. -9.999,999,999 kWh/kvarh, Max. 9.999,999,999 kWh/kvarh. **Energy Meters**, total energy meters +kWh, +kvarh, -kWh, -kvarh. Partial energy meters +kWh, +kvarh, -kWh, -kvarh. **Analysis principle** FFT. **Harmonic measurement**. Current up to the 32nd harmonic. Voltage up to the 32nd harmonic. **Type of harmonics** THD (VL1 and VL1-N). The same for the other phases: L2, L3. THD (AL1). The same for the other phases: L2, L3. **System**: the harmonic distortion can be measured in 3-wire or 4-wire systems. Tw: 0.02 sec@50Hz without filter. **Power supply** H: 100-240 +/-10% (90 to 255) VDC/AC (50/60 Hz); L: 24-48 +/-15% (20 to 55) VDC/AC (50/60 Hz). Power consumption AC: 6 VA; DC: 3.5 W. **Operating temperature** -25°C to +55°C (-13°F to 131°F) (R.H. from 0 to 90% non-condensing @ 40°C) according to EN62053-21, EN50470-1 and EN62053-23. **Storage temperature** -30°C to +70°C (-22°F to 158°F) (R.H. < 90% non-condensing @ 40°C) according to EN62053-21, EN50470-1 and EN62053-23. **Installation category** Cat. III (IEC60664, EN60664). **Dielectric strength** 4000 VRMS for 1 minute. **Noise rejection** CMRR 100 dB, 48 to 62 Hz. **EMC** according to EN62052-11. Electrostatic discharges: 15kV air discharge. Immunity to irradiated: test with current: 10V/m from 80 to 2000MHz. Electromagnetic fields: test without any current: 30V/m from 80 to 2000MHz. Burst: on current and voltage measuring inputs circuit: 4kV. Immunity to conducted disturbances: 10V/m from 150KHz to 80MHz. Surge: on current and voltage measuring inputs circuit: 4kV; on "L" auxiliary power supply input: 1kV. Radio frequency suppression: according to CISPR 22. **Standard compliance**: safety: IEC60664, IEC61010-1 EN60664, EN61010-1 EN62052-11. Metrology EN62053-21, EN62053-23, EN50470-3. Pulse output: DIN43864, IEC62053-31. **Approvals**: CE, cULus "Listed". **Connections**: Screw-type. Screw-type. Cable cross-section area: max. 2.5 mm2. Min./max. Screws tightening torque: 0.4 Nm / 0.8 Nm. Suggested: 0.5 Nm. Module holder: 96x96x50mm. "A" and "B" type modules: 89.5x63x16mm. "C" type module: 89.5x63x20mm. Max. depth behind the panel. With 3 modules (A+B+C): 81.7 mm. Material: ABS/Nylon PA66, self-extinguishing: UL 94 V-0. **Protection degree**, front: IP65, UL type 4x indoor (NEMA4x indoor), UL type 12 (NEMA12). Screw terminals: IP20.

UL NOTES: Use with 60 or 75°C copper conductor. Maximum surrounding air temperature 40°C. The device shall be installed in a pollution degree 2 environment. Open Type Device. The terminals L1,L2,L3 shall be acquired by a circuit where devices or system, including filters or air gaps, are used to control overvoltages at the maximum rated impulse withstand voltage peak of 6.0 kV. Devices or system shall be evaluated using the requirements in the Standard for Transient Voltage Surge Suppressors, UL 1449 and shall also withstand the available short circuit current in accordance with UL 1449. Terminals tightening torque 7 Lb-In. The sum of the internal power consumption of the assembled modules shall not be more than 5.3W. For Use on Flat Surface of a Type 4X Indoor Enclosure. For Use on Flat Surface of a Type 12 Enclosure Screw for use on flat Surface Tightening torque of 4.5–9 Lb-In.

ITALIANO

Ingressi di misura. Sistema: 1, 2 o 3 fasi. Isolamento galvanico mediante TA integrati. Portata corrente (TA) AV5 e AV6: 5(6)A. AV4 e AV7: 1(2)A. Tensione (connessione diretta o TV) AV4, AV5: 400/690VLL; AV6, AV7: 100/208VLL. **Precisione** (Display + RS485) (@25°C ±5°C, R.H. ≤60%, 48 to 62 Hz) In: vedere sotto, Un: vedere sotto, Modello AV4, In: 1A, Imax: 2A; Un: da 160 a 480VLN (da 277 a 830VLL). Modello AV5, In: 5A, Imax: 6A; Un: da 160 a 480VLN (da 277 a 830VLL). Modello AV6 In: 5A, Imax: 6A; Un: da 40 a 144VLN (da 70 a 250VLL). Modello AV7 In: 1A, Imax: 2A; Un: da 40 a 144VLN (da 70 a 250VLL). Corrente, modelli AV4, AV5, AV6, AV7 Da 0,01In a 0,5In: ±(0,5% RDG +2DGT). Da 0,05In a Imax: ±(0.2% RDG +1DGT). Tensione fase-neutro, nel campo Un: ±(0,2% RDG +1DGT). Tensione fase-fase, nel campo Un: ±(0,5% RDG +1DGT). Frequenza ±0,1Hz (da 45 a 65Hz). Potenza attiva ed apparente: da 0,01In a 0,05In, cosφ 1: ±(1% RDG +1DGT), da 0,05In a Imax, cosφ 0,5L, cosφ 1, cosφ 0,8C: ±(0,5% RDG +1DGT). Fattore di potenza: ±[0.001+0.5%(1.000 - "PF RDG")]. Potenza reattiva, da 0,1In a Imax, senp 0,5L/C: ±(1%RDG+1DGT), da 0,05In a 0.1In, senp 0,5L/C: ±(1.5%RDG+1DGT), da 0.05In a Imax, senp 1: ±(1%RDG+1DGT), da 0,02In a 0,05In, senp 1: ±(1,5%RDG+1DGT). Energia attiva: Classe 0,5 secondo EN62053-22, ANSI C12.20 Classe C secondo EN50470-3. Energia reattiva Classe 1 secondo EN62053-23, ANSI C12.1. Corrente di avvio AV5, AV6 5mA. Corrente di avvio AV4, AV7 1mA. **Errori addizionali** secondo EN62053-22, ANSI C12.20. Grandezze di influenza Classe B o C secondo EN50470-3, EN62053-23, ANSI C12.1. **Distorsione armonica totale (THD):** ±1% FS (FS: 100%), AV4: Imin: 5mARMS; Imax: 3Ap; Umin: 30VRMS; Umax: 679Vp. AV5: Imin: 5mARMS; Imax: 15Ap; Umin: 30VRMS; Umax: 679Vp. AV6: Imin: 5mARMS; Imax: 15Ap; Umin: 30VRMS; Umax: 204Vp. AV7: Imin: 5mARMS; Imax: 3Ap; Umin: 30VRMS; Umax: 204Vp. **Deriva termica**: ≤200ppm/°C. **Frequenza di campionamento**: 3200 campioni/s @ 50Hz, 3840 campioni/s @ 60Hz. **Misure**, metodo TRMS misura delle forme d'onda distorte. Tipo di accoppiamento Mediante TA. **Fattore di cresta** AV5, AV6: ≤3 (15A max. picco) AV4, AV7: ≤3 (3A max. picco). **Sovraccarico corrente**: continuo (AV5 e AV6) 6A, @ 50Hz. Continuo (AV4 e AV7) 2A, @ 50Hz. Per 500ms (AV5 e AV6) 120A, @ 50Hz. Per 500ms (AV4 e AV7) 40A, @ 50Hz. **Sovraccarico di tensione**, continuo (AV4 eAV5) 830VLL, continuo (AV6 e AV7) 250VLL. Per 500 ms (AV4 e AV5) 1380VLL, per 500ms (AV6 e AV7) 415VLL. **Impedenza d'ingresso**: 400VL (AV4 e AV5) >1,6MΩ. 208VLL (AV6 e AV7) >1,6MΩ. 5(10)A (AV5 e AV6) <0,2VA. 1(2)A (AV4 e AV7) <0,2VA. **Frequenza** da 40 a 440 Hz. **Catatori**: totali, 4 (9+1 digit). Parziali, 4 (9+1 digit). **Uscita impulsi**: associabile ai contatori parziali e/o totali. **Registrazione dei contatori**: memorizzazione dei contatori parziali e totali. Formato dei contatori memorizzati (EEPROM) Min. -9.999,999,999 kWh/kvarh. Max. 9.999,999,999 kWh/kvarh. **Contatori di energia**: totali, +kWh, +kvarh, -kWh, -kvarh. Parziali, +kWh, +kvarh, -kWh, -kvarh. **Principio dell'analisi** FFT. **Misura dell'armonica**, corrente, fino alla 32a armonica. Tensione, fino alla 32a armonica. **Tipo di armoniche** THD (VL1 e VL1-N) lo stesso per le altre fasi: L2, L3. THD (AL1) lo stesso per le altre fasi L2, L3. **Sistema**: la distorsione armonica è misurabile sia in un sistema 3 fili che 4 fili. Tw: 0,02 sec@50Hz senza filtro. **Alimentazione**: H: 100-240 +/-10% (da 90 a 255) VCC/CA (50/60 Hz); L: 24-48 +/-15% (da 20 a 55) VCC/CA (50/60 Hz). Autoconsumo CA: 6 VA; CC: 3.5 W. **Temperatura di funzionamento** da -25°C a +55°C (da -13°F a 131°F) (U.R. da 0 a 90% senza condensa @ 40°C) secondo EN62053-21 e EN62053-23. **Temperatura di immagazzinamento** da -30°C a +70°C (da -22°F a 140°F) (U.R. <90% senza condensa @ 40°C) secondo EN62053-21 e EN62053-23. **Categoria di installazione**: Cat. III (IEC60664, EN60664). **Isolamento (per 1 minuto)** 4000 VRMS tra ingressi di misura ed alimentazione. 4000 VRMS tra alimentazione e RS485/uscita digitali. **Rigidità dielettrica** 4000 VRMS per 1 minuto. **Reiezione** CMRR 100 dB, da 48 a 62 Hz. **EMC** secondo EN62052-11. Scariche elettrostatiche 15kV scarica in aria; Immunità campi elettromagnetici irradianti, provato con corrente applicata: 10V/m da 80 a 2000MHz; provato senza corrente applicata: 30V/m da 80 a 2000MHz. Immunità ai transitori veloci, sui circuiti degli ingressi di misura in corrente e tensione: 4kV. Immunità ai radiodisturbi condotti: 10V/m da 150KHz a 80MHz. Immunità ad impulso, sui circuiti degli ingressi di misura in corrente e tensione: 4kV; sull'alimentazione "L": 1kV. Emissioni in radiofrequenza: secondo CISPR 22. **Conformità alle norme**: sicurezza IEC60664, IEC61010-1 EN60664, EN61010-1 EN62052-11. Metrologia: EN62053-21, EN50470-3, EN62053-23. Uscita impulsiva DIN43864, IEC62053-31. Approvazioni: CE, cULus listed. **Connessioni**: a vite. Sezione del cavo: max. 2,5 mm2. Coppia min./max serraggio: 0,4 Nm / 0,8 Nm. Consigliata: 0,5 Nm. **Custodia**: dimensioni (LxAxP) modulo base: 96x96x50mm. Moduli tipo "A" e "B": 89,5x63x16mm. Modulo tipo "C": 89,5x63x20mm. Ingombro massimo dietro il pannello Con 3 moduli (A+B+C): 81,7 mm. Materiale: ABS/Nylon PA66, autoestinguenza: UL 94 V-0. Montaggio a pannello. **Grado di protezione**: frontale: IP65, tipo UL 4x indoor (NEMA4x indoor), tipo UL 12 (NEMA12), Morsetti: IP20.

DEUTSCH

Messeingänge: Phasensystem: Systemcode: 1, 2 oder 3. Strommessung: Galvanische Isolation durch integrierte Stromwandler. Strombereich (Stromwandler) AV5 und AV6: 5(6)A. AV4 und AV7: 1(2)A. Spannung (Direktmessung oder Spannungswandler) AV4, AV5: 400/690VLL; AV6, AV7: 100/208VLL. **Genauigkeit** (Anzeige + RS485) (bei 25°C ±5°C, R.F. ≤60%, 48 bis 62 Hz) In: Nennstrom, Un: Nennspannung: Modell AV4, In: 1A, Imax: 2A; Un: 160 bis 480VLN (277 bis 830VLL). Modell AV5, In: 5A, Imax: 6A; Un: 160 bis 480VLN (277 bis 830VLL). Modell AV6, In: 5A, Imax: 6A; Un: 40 bis 144VLN (70 bis 250VLL). Modell AV7, In: 1A, Imax: 2A; Un: 40 bis 144VLN (70 bis 250VLL). Strom Modelle AV4, AV5, AV6, AV7 VON 0,01In bis 0,5In: ±(0,5% RDG +2stellig). VON 0,5In bis Imax: ±(0,2% RDG +2stellig). Spannung Phase - N Bereich Un: ±(0,2% RDG +1stellig). Spannung Phase - Phase Bereich Un: ±(0,5% RDG +1stellig). Frequenz: ±0.1Hz (45 bis 65Hz). Wirk- und Scheinleistung: 0,01In bis 0,05In, PF 1: ±(1%RDG+1stellig). VON 0,05In bis Imax. PF 0,5L, PF1, PF0,8C: ±(0,5%RDG+1stellig). Leistungsfaktor: ±[0.001+0.5%(1.000 - "PF RDG")]. Blindleistung: 0,1In bis Imax, senp 0,5L/C: ±(1%RDG+1stellig). 0,05In bis 0,1In, senp 0,5L/C: ±(1.5%RDG+1stellig). 0,05In bis Imax, senp 1: ±(1%RDG+1stellig). 0,02In bis 0,05In, senp 1: ±(1,5%RDG+1stellig). Energie: Klasse 0.5 gemäß EN62053-22, ANSI C12.20. Klasse C gemäß EN50470-3. Blindleistung: Klasse 1 gemäß EN62053-23, ANSI C12.1. Startstrom AV5, AV6 5mA. Startstrom AV4, AV7 1mA. **Zusätzlicher Energiefehler**: gemäß EN62053-22, ANSI C12.20, Bereichsüberschreitungs-abhängig: Klasse B oder C gemäß EN50470-3, EN62053-23, ANSI C12.1. **Gesamte Harmonische Verzerrung (THD):** ±1% BE (BE: 100%). AV4: Imin: 5mARMS; Imax: 3Ap; Umin: 30VRMS; Umax: 679Vp. AV5: Imin: 5mARMS; Imax: 15Ap; Umin: 30VRMS; Umax: 679Vp. AV6: Imin: 5mARMS; Imax: 15Ap; Umin: 30VRMS; Umax: 204Vp. AV7: Imin: 5mARMS; Imax: 3Ap; Umin: 30VRMS; Umax: 204Vp. **Temperaturdrift**: ≤200ppm/°C. **Abtastrate** 3200 Abtastwertes/s bei 50Hz, 3840 Abtastwertes/s bei 60Hz. Messmethode TRMS-Messungen von verzerrten Wellenformen. Wandleranschluss Durch Stromwandler. **Schettelwertfaktor**: AV5, AV6: ≤3 (15A Höchstspitze). AV4, AV7: ≤3 (3A Höchstspitze). **Überlaststrom**: Dauer (AV5 und AV6) 6A, bei 50Hz. Dauer (AV4) 2A, bei 50Hz. Für 500ms (AV5 und AV6) 120A, bei 50Hz. Für 500ms (AV4 uund AV7) 40A, bei 50Hz. **Überlastspannung**: dauer (AV4 und AV5) 830 VLL, dauer (AV6 und AV7) 250 VLL. Für 500 ms (AV4 und AV5) 1380 VLL, für 500 ms (AV6 und AV7) 415 VLL. **Eingangsimpedanz**: 400VL-L (AV4 und AV5) >1,6MΩ. 208VL-L (AV6 und AV7) >1,6MΩ. 5(10)A (AV5 und AV6) <0,2VA. 1(2)A (AV4 und AV7) <0,2VA. **Frequenz**: 40 bis 440 Hz. **Zähler**: Gesamt 4 (9+1 Ziffern). Partiiel 4 (9+1 Ziffern). **Impulsausgang**: Anschließbar an Gesamtund/oder Teilzähler. **Aufzeichnung der Energiemessung**: Aufzeichnung von Gesamt- und Teilenergiemessung. Aufzeichnung der Energiemessung(EEPROM) Min. - 9.999,999,999 kWh/kvarh. Max. 9.999,999,999 kWh/kvarh. **Energiezähler**: Gesamte Energiezähler +kWh, +kvarh, -kWh, -kvarh. Teilenergiezähler +kWh, +kvarh, -kWh, -kvarh. **Analyseprinzip**: FFT. **Wellenmessung**: Strom Bis zur 32. Harmonischen: Spannung Bis zur 32. Harmonischen. **Wellentypen**: THD (VL1 y VL1-N) Dasselbe für andere Phasen: L2, L3. THD (AL1) Dasselbe für andere Phasen: L2, L3. **System**: Die harmonische Verzerrung kann in Systemen mit 3 oder 4 Leiter gemessen werden. Tw: 0,02 sec@50Hz ohne Filter. **Modelle mit Hilfsstromversorgung**: H: 100-240 +/-10% (90 bis 255) VDC/AC (50/60 Hz); L: 24-48 +/-15% (20 bis 55) VDC/AC (50/60 Hz). **Leistungsaufnahme**: AC: 6 VA; DC: 3,5 W. **Betriebstemperatur** -25°C bis +55°C (-13°F bis 131°F) (R.F. von 0 bis 90% nicht kondensierend bei 40°C) gemäß EN62053-21, EN50470-1 und EN62053-23. **Lagertemperatur**: -30°C bis +70°C (-22°F bis 158°F) (R.F. < 90% nicht kondensierend bei 40°C) gemäß EN62053-21, EN50470-1 und EN62053-23. **Installationskategorie**: Kat. III (IEC60664, EN60664). **Durchschlagfestigkeit**: 4kVAC RMS für 1 Minute. **Rauschdrückungsverhältnis**: GTUV 100 dB, 48 bis 62 Hz. **EMC**: According to EN62052-11. Elektrostatiche Entladungen: 15kV air discharge; Strahlungsimmunität: Test mit angelegten Strom: 10V/m von 80 bis 2000MHz; Elektromagnetfeld. Test ohne angelegten Strom: 30V/m von 80 bis 2000MHz; Ladungsimpuls: Am Strom- und Eingangsspannungsmesskreis: 4kV. Leiterstörungsimmunität: 10V/m von 150KHz bis 80MHz. Überspannungsfestigkeit: Strom- und Eingangsspannungsmesskreis: 4kV; an „L“ Hilfsstromversorgungsang-gang: 1kV; Störausstrahlung Gemäß CISPR 22. **Standardkonformität**: Sicherheit: IEC60664, IEC61010-1 EN60664, EN61010-1 EN62052-11. Messungen: EN62053-21, EN62053-23, EN50470-3. MID "Anhang MI-003". Impulsausgang: DIN43864, IEC62053-31. Zulassungen: CE, cULus "Listed". **Anschlüsse**: Schraubklemmen, Kabelquerschnitt, 2,5 mm2. Min./Max. Anzungsmoment: 0,4 Nm / 0,8 Nm. Empfohlene Anzungsmoment: 0,5 Nm. **Gehäuse DIN** Abmessungen (LxHxB): 96x96x50mm. Tiefe hinter der DIN-Schiene Mit 3 Modulen (A+B+C): 81,7 mm. Material: ABS/Nylon PA66, selbstlöschend: UL 94 V-0. Montage: DIN-Schiene. **Schutzgrad**: Vorderseite, IP65, UL Typ 4x indoor (NEMA4x indoor), UL Typ 12 (NEMA12). Schraubenklemmen: IP20.

FRANÇAIS

Entrées nominales. Type de réseau: 1, 2 ou 3-phases. Type de courant: Isolation galvanisée par TC incorporé. Plage de courant (par CT) AV5 et AV6: 5(6)A. AV4 et AV7: 1(2)A. Tension direct ou par TT/TP AV4, AV5: 400/690VLL; AV6, AV7: 100/208VLL. **Précision** (Afficheur + RS485) (@25°C ±5°C, H.R. ≤60%, 48 à 62 Hz) In: voir ci-dessous, Un: voir ci-dessous, Modèle AV4 In: 1A, Imax: 2A; Un: 160 à 480VLN (277 à 830VLL). Modèle AV5 In: 5A, Imax: 6A; Un: 160 à 480VLN (277 à 830VLL). Modèle AV6 In: 5A, Imax: 6A; Un: 40 à 144VLN (70 à 250VLL). Modèle AV7 In: 1A, Imax: 2A; Un: 40 à 144VLN (70 à 250VLL). Courant modèles AV4, AV5, AV6, AV7. De 0,01In à 0,5In: ±(0,5% RDG +2DGT). De 0,05In à Imax: ±(0,2% RDG +2DGT). Tension phase-neutre, Dans l'intervalle Un: ±(0,2% RDG +1DGT). Tension phase-phase, Dans l'intervalle Un: ±(0,5% RDG +1DGT). Fréquence: ±0,1Hz (45 à 65Hz). Puissance active et apparente: 0,01In à 0,05In, PF 1: ±(1%RDG+1DGT). De 0,05In à Imax, PF 0,5L, PF1, PF0,8C: ±(0,5%RDG+1DGT). Facteur de puissance: ±[0,001+0,5%(1,000 - "PF RDG")]. Puissance réactive: 0,1In à Imax, senp 0,5L/C: ±(1%RDG+1DGT). 0,05In à 0,1In, senp 0,5L/C: ±(1,5%RDG+1DGT). 0,05In à Imax, senp 1: ±(1%RDG+1DGT). 0,02In à 0,05In, senp 1: ±(1,5%RDG+1DGT). Energie active: Classe 0,5 selon EN62053-22, ANSI C12.20. Classe C selon EN50470-3. Energie réactive: Classe 1 selon EN62053-23, ANSI C12.1. Courant de démarrage AV5, AV6: 5mA. Courant de démarrage AV4, AV7: 1mA. **Erreurs additionnelles énergie**: Selon EN62053-22, ANSI C12.20. Quantités influentes: Classe B ou C selon EN50470-3, EN62053-23, ANSI C12.1. **Distorsion harmonique totale (THD)**: ±1% PE (PE: 100%). AV4: Imin: 5mARMS; Imax: 3Ap; Umin: 30VRMS; Umax: 679Vp. AV5: Imin: 5mARMS; Imax: 15Ap; Umin: 30VRMS; Umax: 679Vp. AV6: Imin: 5mARMS; Imax: 15Ap; Umin: 30VRMS; Umax: 204Vp. AV7: Imin: 5mARMS; Imax: 3Ap; Umin: 30VRMS; Umax: 204Vp. **Dérive de température**: ≤200ppm/°C. **Taux d'échantillonnage**: 3200 échantillons/s @ 50Hz, 3840 échantillons/s @ 60Hz. **Mesures**, méthode: mesures TRMS de formes d'ondes déformées. Type de raccordement: au moyen d'un TC. **Facteur de crête**: AV5, AV6: ≤3 (15A pic max), AV4, AV7: ≤3 (3A pic max). **Surcharges de courant**: continu (AV5 et AV6) 6A, @ 50Hz, Continu (AV4) 2A, @ 50Hz. Pour 500ms (AV5 et AV6) 120A, @ 50Hz. Pour 500ms (AV4 et AV7) 40A, @ 50Hz. **Surcharges de tension**, continu (AV4 et AV5) 830 VLL, continu (AV6 et AV7) 250 VLL. Pour 500 ms (AV4 et AV5) 1380 VLL, pour 500 ms (AV6 et AV7) 415 VLL. **Impédance d'entrée**: 400VL-L (AV4 et AV5) > 1,6MΩ. 208VL-L (AV6 et AV7) > 1,6MΩ. 5(10)A (AV5 et AV6) < 0,2VA. 1(2)A (AV4 et AV7) < 0,2VA. **Fréquence**: 40 à 440 Hz. **Compteurs**: total 4 (9+1 digit). Partiel 4 (9+1 digit). **Sortie impulsions**: raccordement possible aux compteurs d'énergie totale et/ou partielle. **Enregistrement du comptage d'énergie**: enregistrement du comptage d'énergie totale et partielle. Enregistrement du comptage d'énergie (EEPROM). Min. -9.999,999,999 kWh/kvarh. Max. 9.999,999,999 kWh/kvarh. **Compteurs d'énergie**: compteurs d'énergie totale +kWh, +kvarh, -kWh, -kvarh. **Compteurs d'énergie partielle** +kWh, +kvarh, -kWh, -kvarh. **Principe d'analyse**: FFT. **Mesure des harmoniques**: courant, jusqu'à la 32^{ème} harmonique. Tension, jusqu'à la 32^{ème} harmonique. **Type d'harmoniques**: THD (VL1 et VL1-N) Identique pour les autres phases: L2, L3. THD (AL1) Identique pour les autres phases: L2, L3. **Réseau**: on peut mesurer la distorsion harmonique dans réseaux 3-phases ou 4-phases. Tw: 0.02 sec@50Hz sans filtres. **Versoin auto-alimentée**: H: 100-240 +/-10% (90 à 255) VCC/CA (50/60 Hz); L: 24-48 +/-15% (20 à 55) VCC/CA (50/60 Hz). Consommation d'énergie: AC: 6 VA; CC: 3,5 W. **Température de fonctionnement** -25°C à +55°C (-13°F à 131°F) (H.R. de 0 à 90% sans condensation @ 40°C) selon EN62053-21, EN50470-1 et EN62053-23. **Température de stockage** -30°C à +70°C (-22°F à 158°F) (H.R. < 90% sans condensation @ 40°C) selon EN62053-21, EN50470-1 et EN62053-23. **Catégorie d'installation** Cat. III (IEC60664, EN60664). **Tension diélectrique**: 4kVCA RMS pour 1 minute. **Émission de bruit** CMRR 100 dB, 48 à 62 Hz. **CEM**: selon EN62052-11. Décharges électrostatiques 15kV décharge atmosphérique. Immunité à l'irradiation: test avec courant: 10V/m de 80 à 2000MHz. Champs électromagnétiques: test sans aucun courant: 30V/m de 80 à 2000MHz. Transitoires: sur circuit d'entrées de mesure courant et tension: 4kV. Immunité aux bruits par conduction 10V/m de 150KHz à 80MHz. Surtension: sur circuit d'entrées de mesure courant et tension: 4kV; sur entrée d'alimentation auxiliaire « L » : 1kV; suppression fréquence radio, selon CISPR 22. **Conformité aux standards**: sécurité IEC60664, IEC61010-1 EN60664, EN61010-1 EN62052-11. Métrologie: EN62053-21, EN62053-23, EN50470-3. MID "annexe MI-003". Sortie impulsion DIN43864, IEC62053-31. **Approbations**: CE, cULus "Listed". **Connexions**: À vis, Section de câbles max. 2,5 mm². Min./Max. couple de serrage de vis: 0,4 Nm / 0,8 Nm. Couple de serrage de vis recommandé: 0,5Nm. **Boîtier DIN** Dimensions (LxHxD): 96x96x50mm. Profondeur max. derrière le panneau. Avec 3 modules (A+B+C): 81,7 mm Matériau ABS/Nylon PA66, autoextinguible: UL 94 V-0. Montage: montage sur panneau. **Indice de protection**: face avant IP65, type UL 4x indoor (NEMA4x indoor), type UL 12 (NEMA12). Terminaisons de vis IP20. **NOTES UL**: Utiliser avec un conducteur en cuivre 60 ou 75°C. Température maximum air ambient 40°C. Le dispositif doit être installé dans un environnement ayant un niveau de pollution 2. Dispositif de Type Ouvert. Les bornes L1,L2,L3 doivent être acquises par un circuit où les dispositifs ou le système, y compris les filtres ou les entrefers, sont utilisés pour contrôler les surtensions à une crête maximum de tension de tenue aux chocs de 6.0 kV. Les dispositifs ou le système doivent être évalués en fonction des exigences de la Norme pour les Suppresseurs de Surtensions Transitoires, de la UL 1449 et ils doivent aussi supporter le courant de court-circuit disponible conformément à la UL 1449. Couple de serrage bornes 7 Lb-In. La somme de la consommation d'énergie interne des modules assemblés ne doit pas dépasser 5.3W. À utiliser sur la surfaces plane d'un boîtier de Type 4X pour usage intérieur. À utiliser sur la surfaces plane d'un boîtier de Type 12. Visser pour l'utilisation sur une surface plane Couple de serrage de 4.5-9 Lb-In.

ESPAÑOL

Entradas de medida. Tipo de sistema: monofásico, bifásico, trifásico. Tipo de entr. de intensidad: aislamiento galvaníco mediante CT incorporado. Escala de intens. (mediante CT) AV5 y AV6: 5(6)A. AV4 y AV7: 1(2)A. Tensión (conex. directa o con VT/PT) AV4, AV5: 400/690VLL; AV6, AV7: 100/208VLL. **Precisión** (Display + RS485) (a 25°C ±5°C, H.R. ≤60%, 48 a 62 Hz) In: ver abajo, Vn: ver abajo. Modelo AV4 In: 1A, Imax: 2A; Vn: 160 a 480VLN (277 a 830VLL). Modelo AV5 In: 5A, Imax: 6A; Vn: 160 a 480VLN (277 a 830VLL). Modelo AV6 In: 5A, Imax: 6A; Vn: 40 a 144VLN (70 a 250VLL). Modelo AV7 In: 1A, Imax: 2A; Vn: 40 a 144VLN (70 a 250VLL). Intensidad modelos AV4, AV5, AV6, AV7 De 0,01In a 0,05In: ±(0,5% lec. +2dig) De 0,05In a Imax: ±(0,2% lec. +2dig). Tensión fase-neutro, en la escala Vn: ±(0,2% lec. +1dig). Tensión fase-fase En la escala Vn: ±(0,5% lec. +1dig). Frecuencia: ±0,1Hz (45 a 65Hz). Potencia activa y aparente: 0,01In a 0,05In, PF 1: ±(1%/lec.+1dig). De 0,05In a Imax PF 0,5L, PF1, PF0,8C: ±(0,5%/lec.+1dig). Factor de potencia (PF): ±[0,001+0,5%(1,000 - "PF lec.")]. Potencia reactiva: 0,1In a Imax, senp 0,5L/C: ±(1%/lec. +1dig). 0,05In a 0,1In, senp 0,5L/C: ±(1,5%/lec. +1dig). 0,05In a Imax, senp 1: ±(1%/lec. +1dig). 0,02In a 0,05In, senp 1: ±(1,5%/lec. +1dig). Energía activa: Clase 0,5 según norma EN62053-22, ANSI C12.20. Clase C según norma EN50470-3. Energía reactiva: Clase 1 según norma EN62053-23, ANSI C12.1. Intensidad de arranque: AV5, AV6 5mA. Intensidad de arranque: AV4, AV7 1mA. **Errores adicionales de energía**: según norma EN62053-22, ANSI C12.20. Influencia: Clase B o C según norma EN50470-3, EN62053-23, ANSI C12.1. **Distorsión armónica total (THD)**: ±1% f.e. (f