

# MULTIVERT® 630A 4P (3P+N)

Size 3, 690VAC

## IEC FUSE SWITCH DISCONNECTORS

### NH VERTICAL FUSE SWITCH DISCONNECTOR



MULTIVERT® NH 4P is the first vertical 4-pole switchable (3P + N) in-line fuse switch disconnecter for busbar systems 185mm with an overall width of 100mm.

It is the most innovative and cost-efficient market solution to realize grid disconnection on all poles.

MULTIVERT® 630A 4P is designed for NH fuse-links in accordance with IEC/EN 60269-2, VDE 0636-2, size 3: 630A.

The system is easy to install via bus bar mounting and is short-circuit proof.

## TECHNICAL DATA OVERVIEW

Voltage AC	690 VAC
Amper (A)	630 A
Size per Standard	3
SCCR	Ue = AC 400 V; Ie = 630 A 80kA Ue = AC 500 V; Ie = 630 A 80kA Ue = AC 690 V; Ie = 500 A 50kA
Mounting	bus bar system 185 mm
Switchability	4 poles switching
Number of Poles	4P (3P+N)

## FEATURES & BENEFITS

- Safe on load connection/disconnection in accordance with IEC 60947-3
- 4-poles switching (3P+N) according to DIN VDE 0100-444
- N-pole closing earlier and opening later than the outer conductors
- Compact design : 100mm overall width
- Easy installation on 185mm bus bar system  
Standard design with M 12 screws
- Varieties of cable termination: bolt, V-terminal, insert nut
- Touch protection IP 30 with central cover
- Lockable and sealable in normal service position
- Voltage measurement from the front

## APPLICATIONS

- Cable distribution cabinets
- Renewable energy
- Low voltage distribution boards
- Network systems : TT, TN-S, TN-C-S

## STANDARDS

- IEC/EN 60 947-3
- DIN VDE 0100-444
- For NH-fuse links size 3 in accordance with IEC/EN 60 269-2, VDE 0636-2



MERSEN reserves the right to change, update or correct, without notice, any information contained in this datasheet.

# MULTIVERT® 630A 4P (3P+N)

Size 3, 690VAC

## PRODUCT RANGE

### MULTIVERT® 630 A size 3 185 mm 4P (3P+N)

Catalog number	Item number	Cable termination components	Design	Package	Weight
4.350.000	G1056005	M12 bolts	4P (3P+N)	1 piece	8.9 kg
4.370.000	W1058272	V-terminal for V-clamps	4P (3P+N)	1 piece	8.9 kg
4.380.000	X1058273	M12 bus bar terminal V-terminal for N pole	4P (3P+N) MULTIVERT with lateral busbar terminals, busbar coupler switch	1 piece	6.5 kg

## TECHNICAL DATA IN ACCORDANCE WITH EN / IEC 60947

	<b>630 A 1x4 pole switching</b>
Number of poles/phases	4P (3P+N)
Size	3
Conventional free air thermal current with NH-fuse links $I_{th}$	630 A
Max. power dissipation of fuse links $P_n$	48 W
Conventional free air thermal current with solid links $I_{th}$	800 A
Max. power dissipation of solid links $P_n$	17 W
Utilization category to IEC/EN 60947-3 $U_e = AC 400 V; I_e = 630 A$ $U_e = AC 500 V; I_e = 630 A$ $U_e = AC 690 V; I_e = 630 A$	AC 23 B AC 22 B AC 21 B
Rated operational voltage $U_e$	690 V
Rated insulation voltage $U_i$	1000 V
Rated impulse withstand voltage $U_{imp}$	8 kV
Rated frequency	50 ... 60 Hz
Degree of protection	IP 30
Degree of pollution	3
Rated duty	uninterrupted duty
Rated conditional short-circuit current with fuse links $U_e = AC 400 V; I_e = 630 A$ $U_e = AC 500 V; I_e = 630 A$ $U_e = AC 690 V; I_e = 500 A$	80 kA 80 kA 50 kA
Rated short circuit making capacity with solid links $I_{cm}$	16 kA <sub>sw</sub>
Rated short-time withstand current $I_{cw}$	12 kA / 1 s
Power dissipation by $I_{th}$ without NH-fuse links	147 W
Power dissipation by $I_{th}$ without solid links	243 W
Installation mode	bus bar installation
<b>Cable terminal connection</b>	
Standard cable terminal	M12
for cable lugs Cu max.	240 mm <sup>2</sup>
for cable lugs Al max.	300 mm <sup>2</sup>
for copper bars with max. dimensions	40 x 10 mm
V-shaped lugs for V-terminal clamps	35 - 240 mm <sup>2</sup>
<b>Bus bar terminal connection</b>	
Standard bus bar terminal	M12
Bus bar system	185 mm

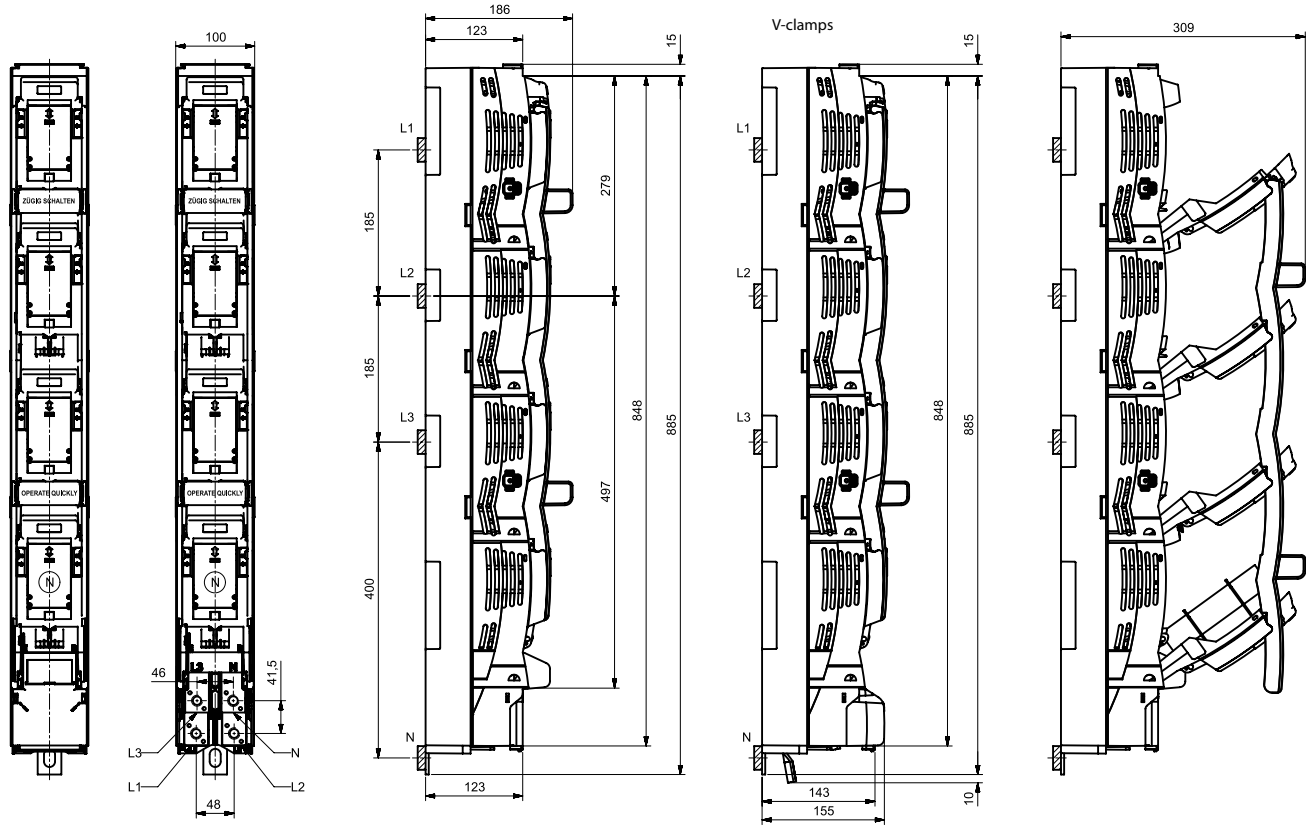
MERSEN reserves the right to change, update or correct, without notice, any information contained in this datasheet.

# MULTIVERT® 630A 4P (3P+N)

Size 3, 690VAC

## DIMENSIONS

**MULTIVERT® 630A NH-vertical fuse switch disconnecter, 4P (3P+N)**  
direct installation with screws on to 185mm bus bar system



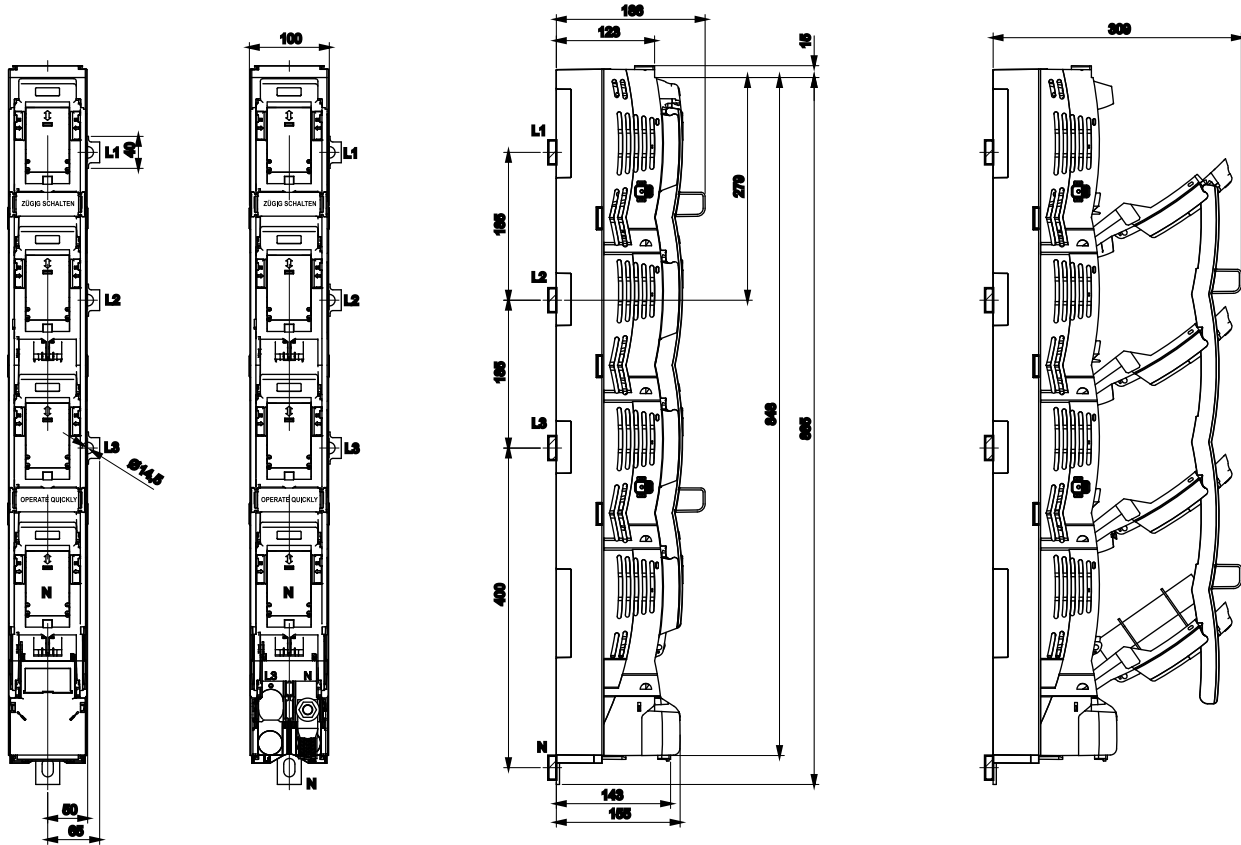
Dimensions in mm

# MULTIVERT® 630A 4P (3P+N)

Size 3, 690VAC

## DIMENSIONS

**MULTIVERT® 630A NH-vertical fuse switch disconnecter, 4P (3P+N)**  
direct installation with screws on to 185mm bus bar system



Dimensions in mm

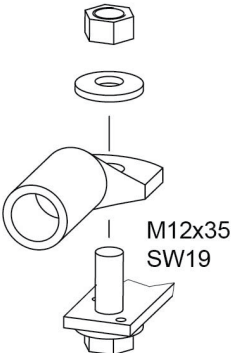
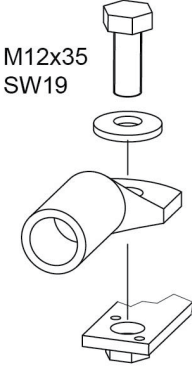
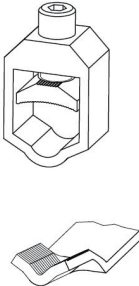
# MULTIVERT® 630A 4P (3P+N)

Size 3, 690VAC

## DIMENSIONS

### Cable termination MULTIVERT® 630A

#### Terminal connection

Type of terminal to use with	Bolt	Insert nut	V-terminal V-clamp
	Cable lug width max. 44mm	Cable lug width max. 44mm	
Cross section			max. 300mm <sup>2</sup> se
Al - DIN 46329	max. 300mm <sup>2</sup>	max. 300mm <sup>2</sup>	
Cu - DIN 46235	max. 240mm <sup>2</sup>	max. 240mm <sup>2</sup>	
Tightening torque	35 ± 3Nm	35 ± 3Nm	According printing on clamp
			

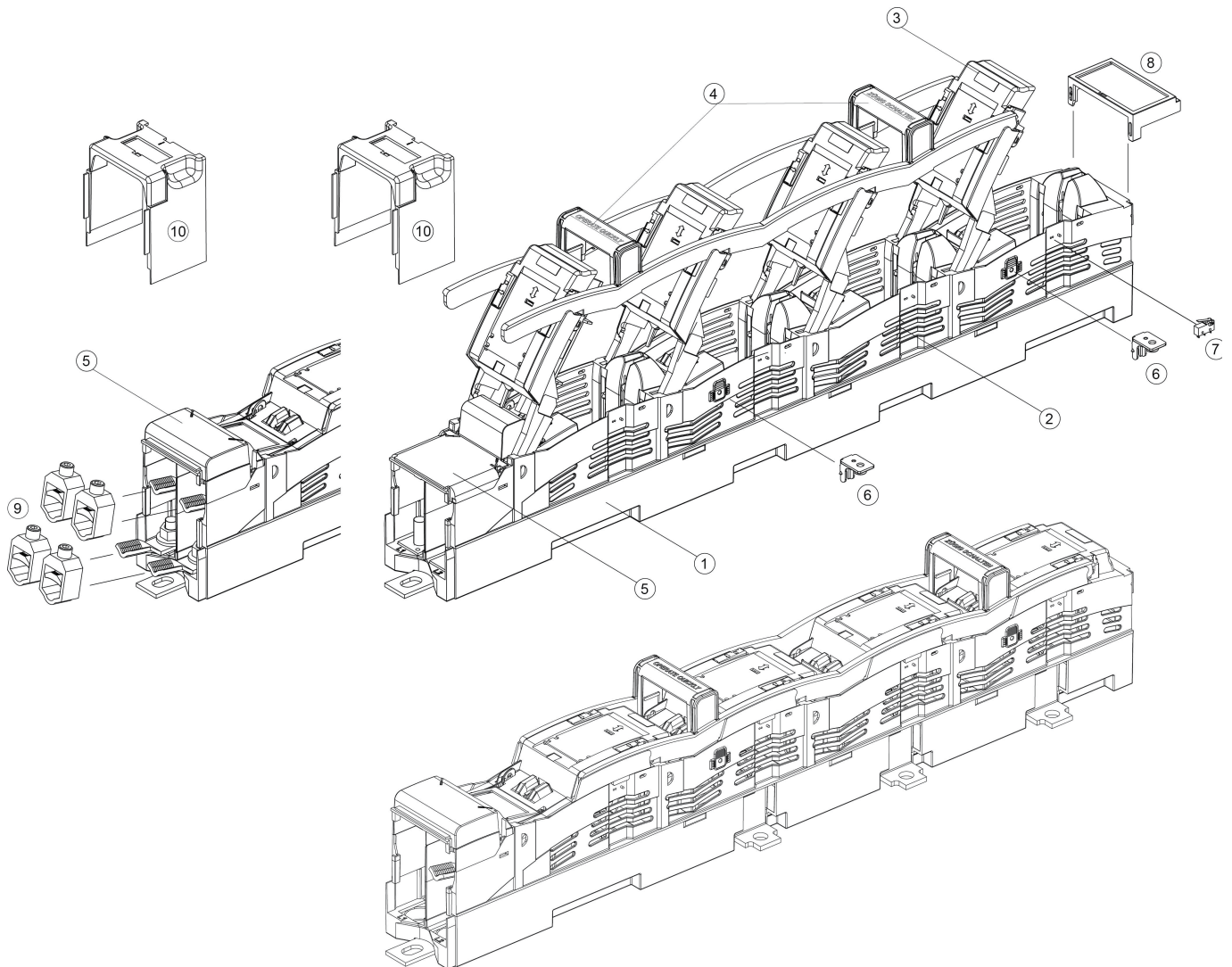
Dimensions in mm

# MULTIVERT® 630A 4P (3P+N)

Size 3, 690VAC

## EXPLODED SKETCH

### MULTIVERT® 630A 4 pole switching (3P+N)



no.	Reference	Short description
1		Main base
2		Protection cover
3		Switch operating cover
4		Handle
5		Integrated cover shroud
6	D218687	Support angle
7	Q1002285	Indicator for switch door position
8	B222181	Labelling facilities MZBT
9	G1058305	V-clamps, 1 set = 4 pieces
10	J1002279	Cover shroud, length 70mm

MERSEN reserves the right to change, update or correct, without notice, any information contained in this datasheet.

# MULTIVERT® 630A 4P (3P+N)

Size 3, 690VAC

## ACCESSORIES



1.002.095

### Cover/shrouds for cable termination

Catalog number	Item number	Design	Application	Package	Weight
1.002.095	J1002279	cover shroud for extended cover length 70 mm	bottom terminal	1 piece	0.12 kg



MZAW

### Covers/level & system adjustment covers

Catalog number	Item number	Design	Package	Weight
MZAW	D218687	support angle for support of cover plate 1 set = 4 pieces	1 set	27 g



1.000.852

### Indication facilities

Catalog number	Item number	Design	Package	Weight
1.000.852	Q1002285	indicator for switch door position micro switch, 1 change-over contact 5 A, 250 V	1 piece	90 g



MZBT

### Labelling facilities

Catalog number	Item number	Design	Package	Weight
MZBT	B222181	label holder size 1, 2, 3	1 piece	30 g



1.004.402



1.004.403

### Varieties of cable termination

Catalog number	Item number	Design	Package	Weight
1.004.402	G1058305	V-terminal clamp size 1,2,3, 95-240 mm <sup>2</sup> single solid, 70-240 mm <sup>2</sup> single stranded, 50-185 mm <sup>2</sup> round stranded, 70-240 mm <sup>2</sup> round solid, M = 23 -27 Nm 1 set = 4 pieces	1 set	0.3 kg
1.004.403	H1058306	V-terminal clamp size 1,2,3, 95-300 mm <sup>2</sup> single solid, 70-240 mm <sup>2</sup> single stranded, 50-185 mm <sup>2</sup> round stranded, 70-240 mm <sup>2</sup> round solid, M = 23 -27 Nm 1 set = 4 pieces	1 set	0.3 kg

MERSEN reserves the right to change, update or correct, without notice, any information contained in this datasheet.