

# Fuse-bases for cylindrical fuse-links

diameters 20 and 36mm

## FUSE HOLDERS, FUSE BASES AND SUPPORTS

## SEMICONDUCTOR & SPECIAL PURPOSE FUSE BASES & ACCESSORIES



Fuse holders for ferrule-type fuses

- 20.6 x 190
- 36 x 127
- 36 x 190
- 36 x 250
- 36 x 400

Vibration withstand:

These semiconductor AC/DC ferrule fuse holders are tested with sine vibrations carried out at ambient, scanning each of the 3 main axes.

Spectrum: 1st segment (2 to 16 Hz) constant displacement  $x = 5$  mm peak.

2nd segment (16 to 250 Hz) constant acceleration  $\gamma = 5$  g peak.

Exponential scanning speed: 1 octave per minute.

Duration: 2 hours per axis

## FEATURES & BENEFITS

- Sturdy assembly with very high collision withstand
- Mounting as base with or without microswitch
- Polyester isolators for all applications

## APPLICATIONS

- SI 36x127 BS fuse holder may be used for rolling stock
- "TRAC" for SI 36x190 and SI 36x400 means that fuse holder may be used for rolling stock with reinforced fixing of clips on isolators

# Fuse-bases for cylindrical fuse-links

diameters 20 and 36mm

## PRODUCT RANGE

### Fuse-bases SI, size 20.6x190

Catalog number	Item number	Size	Rated voltage AC (IEC)	Rated voltage DC (IEC)	Rated current I <sub>n</sub>	Rated impulse withstand voltage U <sub>imp</sub>	Design	Package	Weight
SI85-20190TRACM	B220525	20.6x190	7200 V	7200 V	50 A	60 kV	M8 screws	1	1.2 kg
SI85-20-190	Y092665	20.6x190	7200 V	7200 V	50 A	60 kV	M8 screws	1	60 g

### Fuse-bases SI, size 36x127

Catalog number	Item number	Size	Rated voltage AC (IEC)	Rated voltage DC (IEC)	Rated current I <sub>n</sub>	Design	Package	Weight
SI36127BSMCR	E091935	36x127	2500 V	2500 V	200 A	M5 screws	1	0.57 kg
SI36127BS	N091920	36x127	2500 V	2500 V	200 A	M5 screws	1	0.54 kg

### Fuse-bases SI, size 36x190

Catalog number	Item number	Size	Rated voltage AC (IEC)	Rated voltage DC (IEC)	Rated current I <sub>n</sub>	Rated impulse withstand voltage U <sub>imp</sub>	Design	Package	Weight
SI85-36-190TRA	C092738	36x190	7200 V	7200 V	100 A	60 kV	M8 screws	1	1.30 kg
SI85-36190TRACM	B220617	36x190	7200 V	7200 V	100 A	60 kV	M8 screws	1	1.36 kg

### Fuse-bases SI, size 36x250

Catalog number	Item number	Size	Rated voltage AC (IEC)	Rated voltage DC (IEC)	Rated current I <sub>n</sub>	Rated impulse withstand voltage U <sub>imp</sub>	Design	Package	Weight
SI85-36-250	P092864	36x250	7200 V	7200 V	50 A	60 kV	M8 screws	1	1.32 kg

### Fuse-bases SI, size 36x400

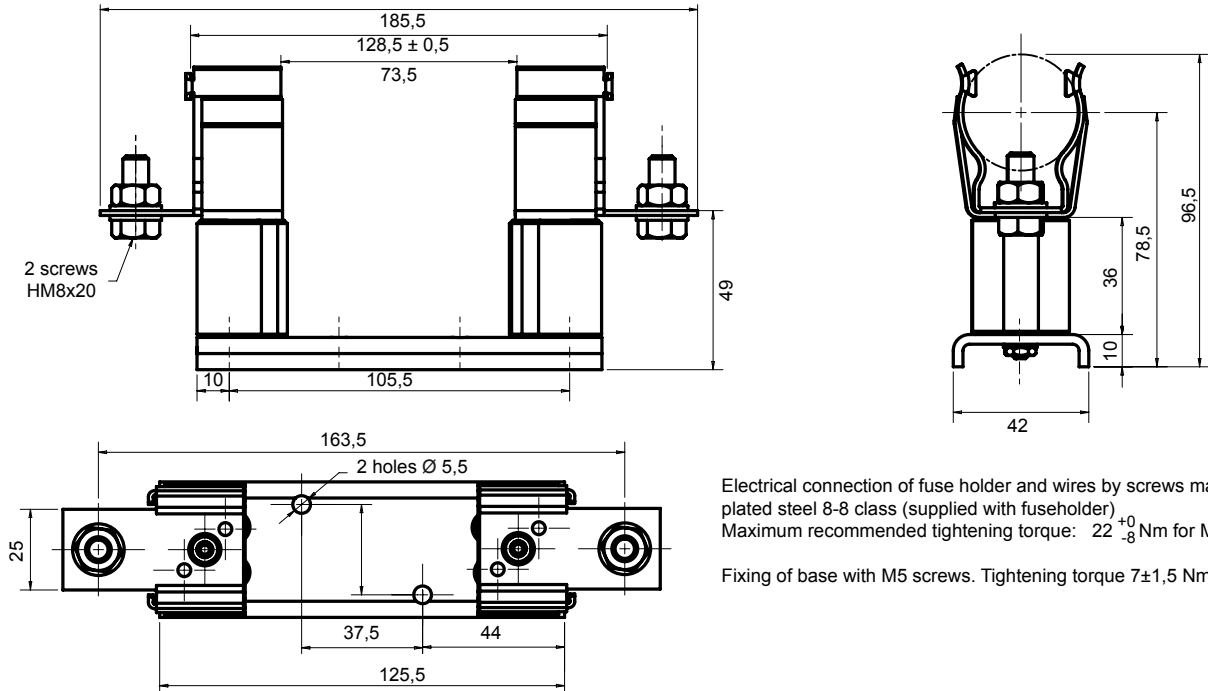
Catalog number	Item number	Size	Rated voltage AC (IEC)	Rated voltage DC (IEC)	Rated current I <sub>n</sub>	Rated impulse withstand voltage U <sub>imp</sub>	Design	Package	Weight
SI85-36400TRAC	D092831	36x400	7200 V	7200 V	20 A	60 kV	M8 screws	1	1.4 kg

# Fuse-bases for cylindrical fuse-links

diameters 20 and 36mm

## DIMENSIONS

### SI 36x127 without microswitch



Electrical connection of fuse holder and wires by screws made in plated steel 8-8 class (supplied with fuseholder)  
Maximum recommended tightening torque:  $22^{+0}_{-8}$  Nm for M8 screw

Fixing of base with M5 screws. Tightening torque  $7 \pm 1,5$  Nm

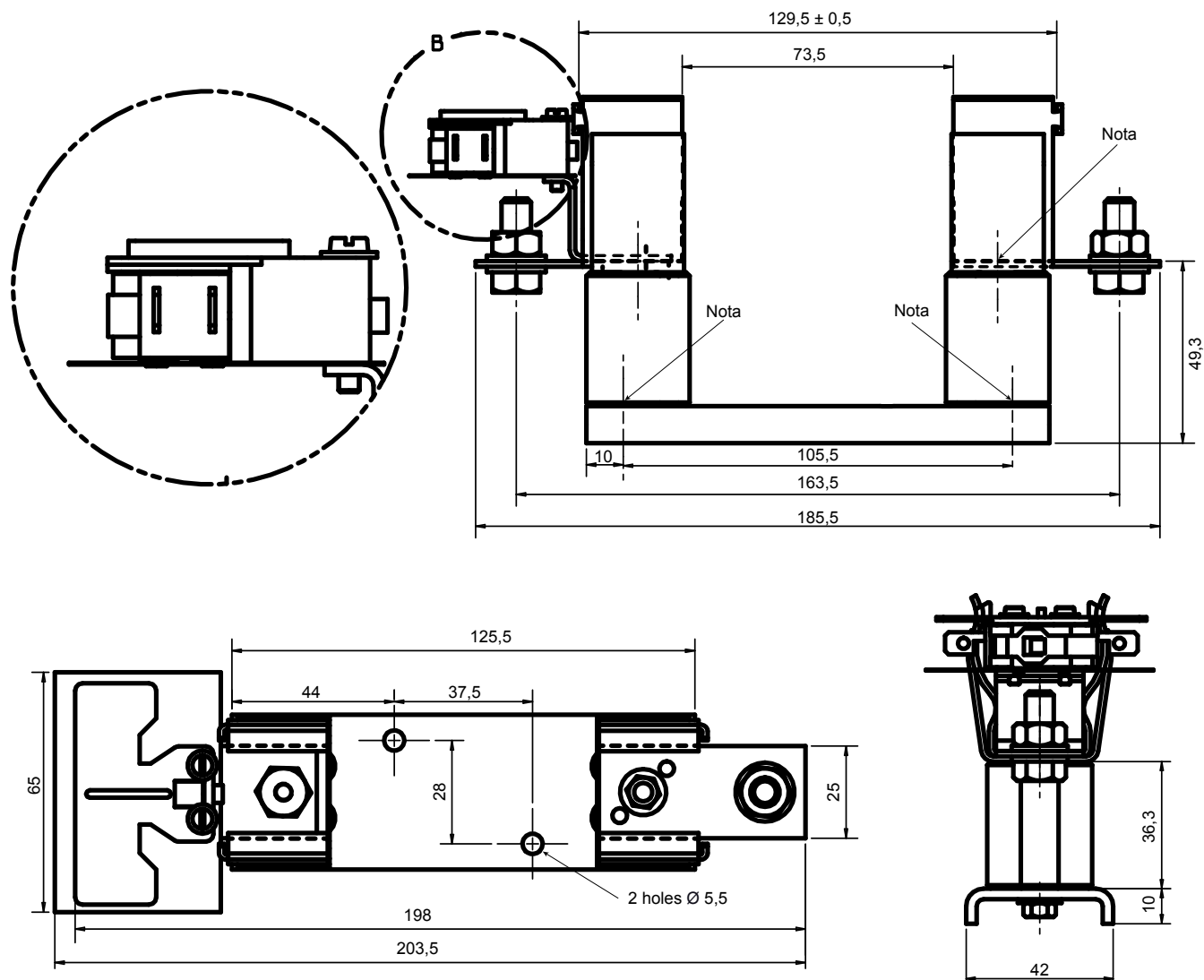
Dimensions in mm

# Fuse-bases for cylindrical fuse-links

diameters 20 and 36mm

## DIMENSIONS

### SI 36x127 with microswitch



Dimensions in mm

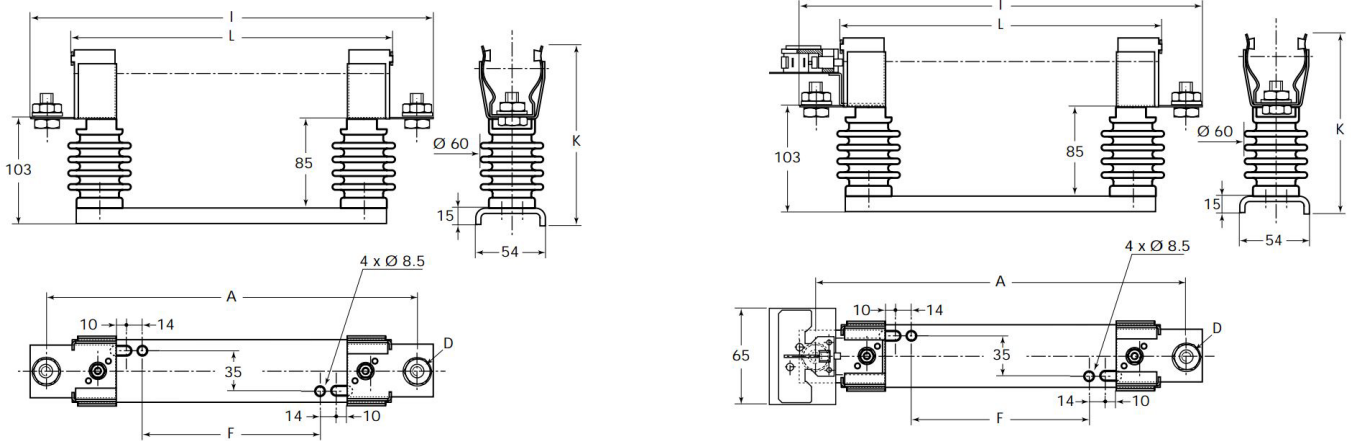
MERSEN reserves the right to change, update or correct, without notice, any information contained in this datasheet.

# Fuse-bases for cylindrical fuse-links

diameters 20 and 36mm

## DIMENSIONS

### SI 20x190, 36x190, 36x250, 36x400 with & without microswitch



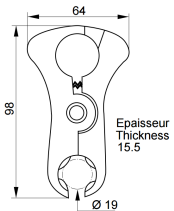
Designation	Catalog number	I	L	A	F	D	K
SI 85 20x190	SI85-20-190	241	192	223	73	6.5	131
SI 85 20 x 190 + MC 1-5	SI85-20190TRACM	288	192	223	73	6.5	
SI 85 36 x 190 TRAC	SI85-36-190TRA	250	194	228	73	8.5	150.5
SI 85 36 x 190 + MC 2R1-5	SI85-36190TRACM	250	194	228	73	8.5	
SI 85 36 x 250	SI85-36-250	316	260	294	139	8.5	
SI 85 36 x 400 TRAC	SI85-36400TRAC	455	399	433	266	8.5	

Electrical connection of fuse holder and wires by screws made in plated steel 8-8 class (supplied with fuseholder)  
 Maximum recommended tightening torque:  $22^{+0}_{-8}$  Nm for M8 screw (SI 85 20x...)

Fixing of base with M8 screws. Tightening torque  $10 \pm 2$  Nm

Dimensions in mm

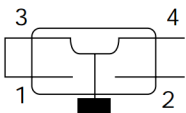
### SI 20x190 only



Cat. Number: PMCP 20 + 22  
 Ref. Number: K 100036  
 Weight: 40 g  
 Packaging: 1

Dimensions in mm

### Microswitch characteristics



With hand reset reversing-type microswitch 10A - 250V AC with  $\cos \phi = 0.3$   
 #1 and 3 terminals must always be connected  
 Each microswitch weighs less than 100g, therefore no fume and smoke grade required  
 Positive operating voltage/current : 20 V - 100 mA  
 6.35 mm slip on connector tags

Microswitch current rating	Interrupting rating
10A - 50Hz	7A - 250V
10A - DC	10A - 30V
	2.2A - 110V

Positive operating voltage/current : 20 V - 100 mA  
 6.35 mm slip on connector tags