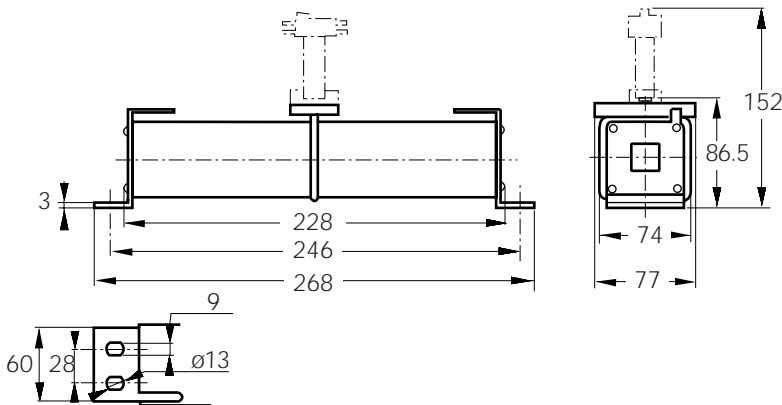


DC Square-body Fuses Sizes 300 - 302 - 2x302 SR Brackets size 302 - 2400V DC

SRD - SRF from 160 to 400 A

Dimensions



Weight: 1830 g

Main Characteristics

Size	Current rating I_N (A)	Breaking Capacity	Watts loss		Max. I^2t @ 2000 V		Designation	Ref. Number	Catalog Number
			$0.8 I_N$ (W)	I_N (W)	L/R = 15 ms (A ² S)	L/R = 45 ms (A ² S)			
302	160	@ 2400 V DC	71	142	18,500	32,000	CC 24 SRD 302 QF 0160	J 076644	D302SD24C160QF
	200	100 kA	76	149	38,000	66,000	CC 24 SRD 302 QF 0200	R079480	D302SD24C200QF
	250	L/R = 15 ms	90	179	68,000	120,000	CC 24 SRD 302 QF 0250	S079481	D302SD24C250QF
	315		94	186	150,000	250,000	CC 24 SRD 302 QF 0315	T079482	D302SD24C315QF
	350	@ 2000 V DC	95	187	230,000	400,000	CC 24 SRD 302 QF 0350	V079483	D302SD24C350QF
	400	100 kA	96	188	195,000	325,000	CC 24 SRF 302 QF 0400	V075297	D302SF24C400QF
		L/R = 45 ms							

Microswitch MC 2R 3E 1-5N BS Ref. Number: J310025

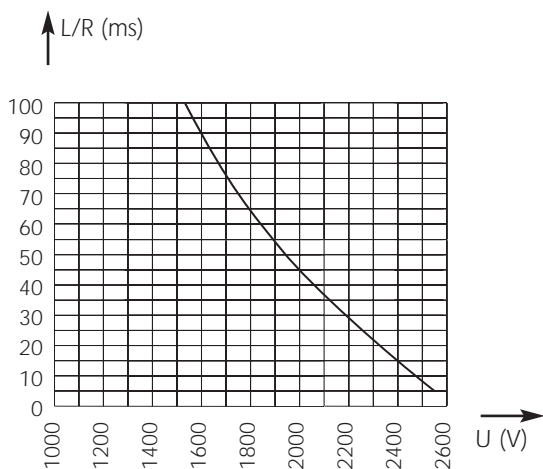
Pack: 1 piece

DC Square-body Fuses Sizes 300 - 302 - 2x302 SR Brackets size 302 - 2400V DC

SRD - SRF from 160 to 400 A

Electrical characteristics

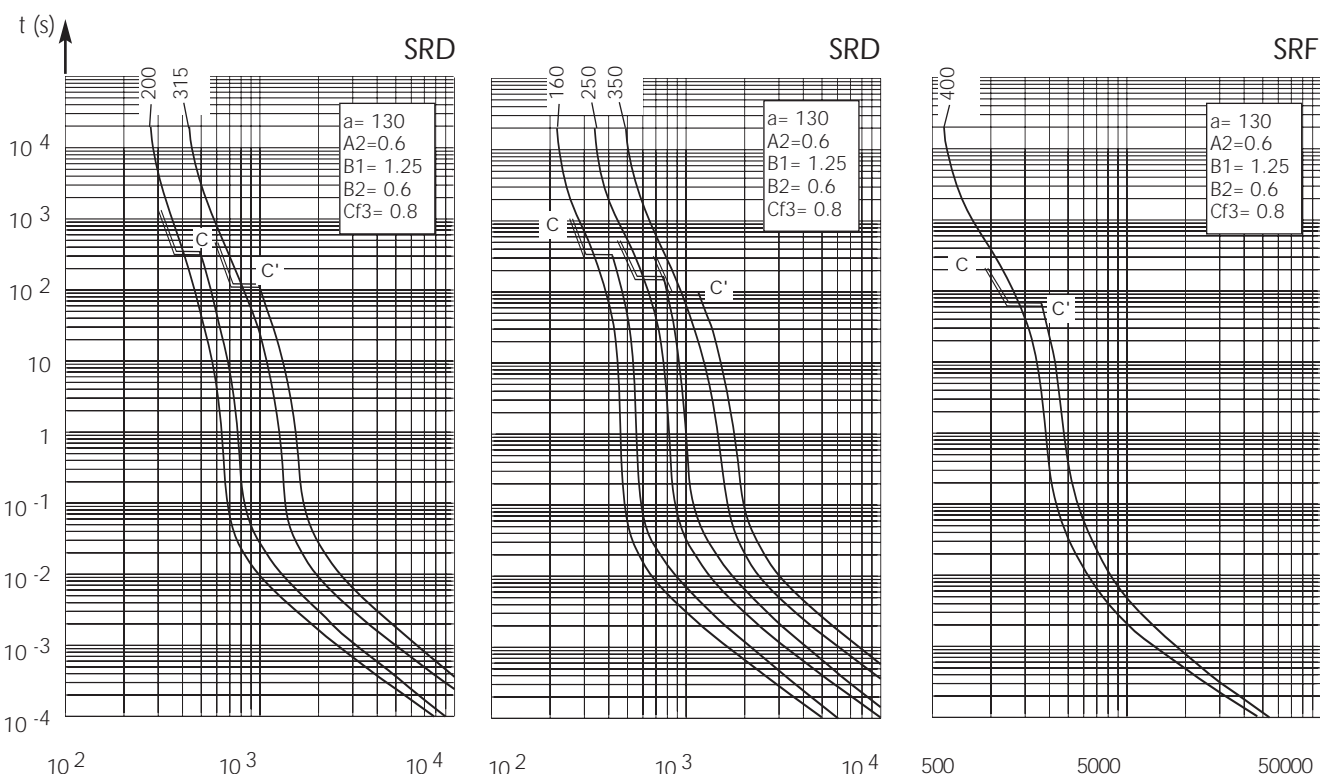
DC applications data



Above: Curve indicates maximum permissible value of time constant L/R as a function of DC working voltage

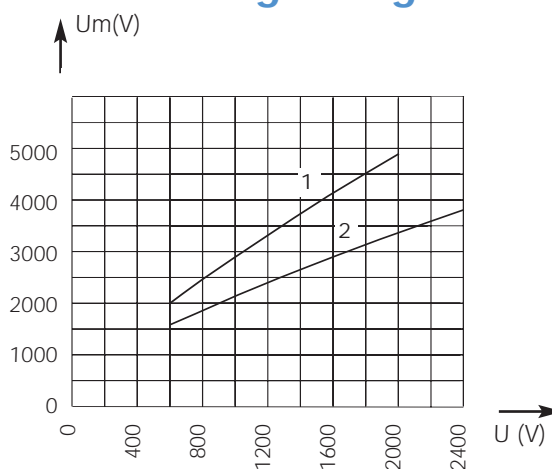
Max. AC voltage (50/60 Hz):
 2000 V with breaking capacity of 80 kA

Time vs. current characteristics



Above: Curves indicate, for each rated current, pre-arcing time vs. R.M.S. pre-arcing current.

Peak arc voltage vs. working voltage



1 : $L/R = 45$ ms
 2 : $L/R = 15$ ms

Above: Curves indicate for various time constants L/R the peak arc voltage which may appear across fuse terminals, vs. DC working voltage