

Class J

600 Volt Fuse Blocks

FUSE BLOCKS & HOLDERS


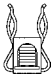



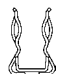








MERSEN CLASS J FUSE BLOCKS ACCOMMODATE ALL CLASS J FUSES



FB

A choice of screw, pressure plate, box and special order stud connectors fit a wide range of stranded or solid copper or aluminum conductors. Insulators are either molded glass-filled polycarbonate (GFPC) or phenolic with verified dielectric strength in excess of 2500V. 30A, 60A and the new 100A SJ fuse blocks feature a unique adder block configuration which can be snapped onto 1-, 2-, or 3-pole blocks to form multi-pole segmented blocks of as many poles as desired. All fuse clips are made of high conductivity tin-plated copper, with a choice of spring-reinforced or non-spring reinforced clips. Space saving options are now available in the 30A and 100A configurations which are noted in the product selection tables.

CLIP & CONNECTOR TYPES:

| 30A & 60A Clips | Connectors | Connectors | Connectors | Connectors |
|--|--|--|--|---|
| Spring Reinforced  | Non-spring Reinforced 30A & 60A Box  | Spring Reinforced 30A & 60A Box  | Spring Reinforced 100A Box  | Spring Reinforced 400A Box Side Clip  |
| Non-spring Reinforced  | Non-spring Reinforced 30A Screw  | Spring Reinforced 30A Screw  | Spring Reinforced 100A Box Side Clip  | Spring Reinforced 400A Box In-line Clip  |
| | Non-spring Reinforced 30A Pressure Plate  | Spring Reinforced 30A Pressure Plate  | Spring Reinforced 200A Box Side Clip  | Spring Reinforced 600A Box In-line Clip  |

RATINGS:

- **Volts:** 600VAC/DC
- **Amps:** 30A, 60A, 100A; 200A, 400A, 600A
- **SCCR:** 200kA

RECOMMENDED FUSE USAGE:

- Class J Blocks (600V) use with AJT, A4J, HSJ

APPROVALS:

- All class J fuse blocks meet the requirements of UL4248 (formerly UL512)
- UL listed Guide IZLT, File E52283
- CSA certified class 6225, File 32169



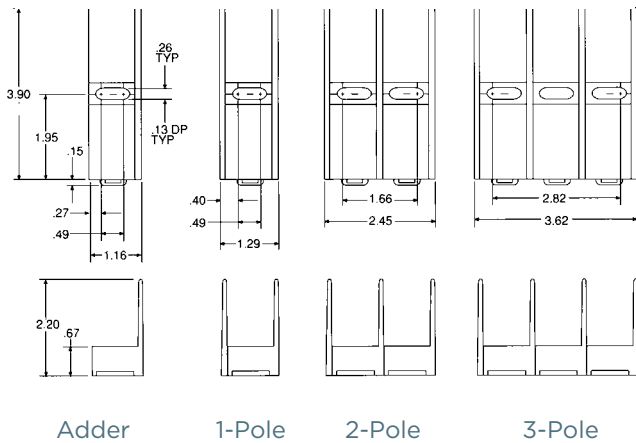
600 VOLT, 30 & 60 AMPERE CLASS J FUSE BLOCKS

| Ampere Rating | Poles | Connectors | | Catalog Number | | Connector Torque In - lb |
|-------------------|-------|----------------|-------------|-----------------------|-------------------|--------------------------|
| | | Types | Wire Range | Non-Spring Reinforced | Spring Reinforced | |
| 30 GFPC Insulator | ADDER | BOX | Al/Cu #2-14 | 60300J | 60305SJ | 35 |
| | 1 | | | 60301J | 60306SJ | |
| | 2 | | | 60302J | 60307SJ | |
| | 3 | | | 60303J | 60308SJ | |
| | ADDER | SCREW | Cu* #4-14 | 60310J | 60315SJ | 20 |
| | 1 | | | 60311J | 60316SJ | |
| | 2 | | | 60312J | 60317SJ | |
| | 3 | | | 60313J | 60318SJ | |
| | ADDER | PRESSURE PLATE | Cu* #4-14 | 60320J | 60325SJ | 20 |
| | 1 | | | 60321J | 60326SJ | |
| | 2 | | | 60322J | 60327SJ | |
| | ADDER | BOX | Cu* #4-14 | - | 60355SJ | 35 |
| | 1 | | | - | 60356SJ | |
| | 2 | | | - | 60357SJ | |
| | 3 | | | - | 60358SJ | |
| 60 GFPC Insulator | ADDER | BOX | Al/Cu #2-14 | 60600J | 60605J | 45 |
| | 1 | | | 60601J | 60606J | |
| | 2 | | | 60602J | 60607J | |
| | 3 | | | 60603J | 60608J | |
| | ADDER | BOX | Cu* #4-14 | - | 60655J | 45 |
| | 1 | | | - | 60656J | |
| | 2 | | | - | 60657J | |
| | 3 | | | - | 60658J | |

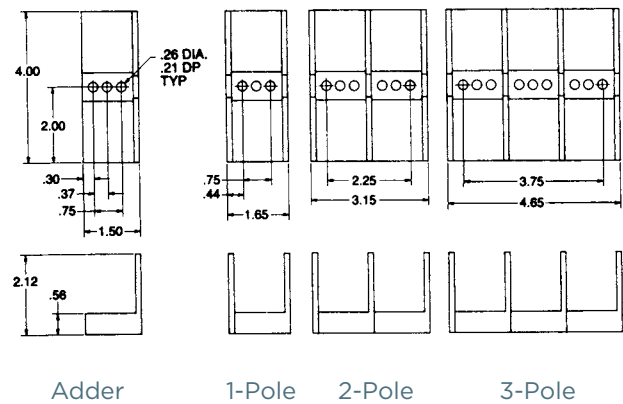
Note: To convert 30A "SJ" adder pole to single pole use end barrier cat # U09372. To convert 30A or 60A standard J adder pole to single use pole use end barrier cat # U09617. Recommended mounting screws for all 30A and 60A fuse blocks: 1/4" (0.250" dia).

*Fuses have copper box connectors and clips and are for copper wires only. These are specifically designed with the same coefficient of expansion as copper wire for improved heat cycling and meet or exceed OEM "no aluminum" specifications.

DIMENSIONS FOR 30A SPACE SAVING "SJ" STYLE FUSE BLOCKS



DIMENSIONS FOR 30A AND 60A STANDARD CLASS J STYLE FUSE BLOCKS

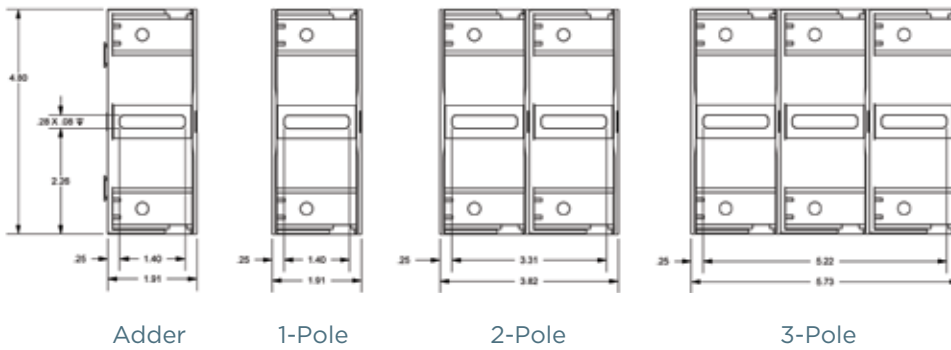


FB

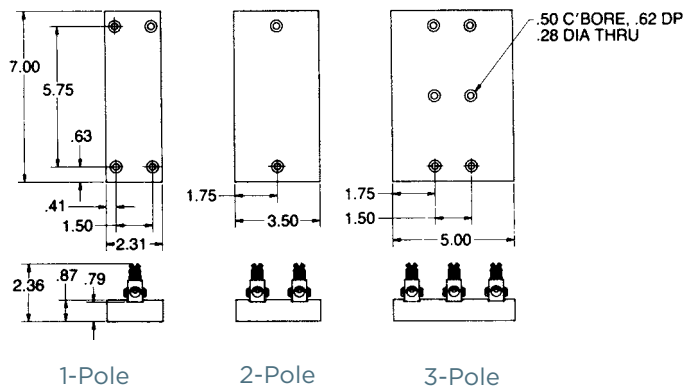
600 VOLT, 100 AMPERE CLASS J FUSE BLOCKS

| Ampere Rating | Poles | Connectors | | Catalog Number | Connector Torque In - lb |
|--------------------------|----------------------|------------------|-----------------|--------------------|--------------------------|
| | | Type | Wire Range | Spring Reinforced | |
| 100 GFCP Insulator | Adder 1 2 3 | Box Side Clip | Al/Cu 2/0-#6 | 61005SJ | 100 (Al) 60 (Cu) |
| | | | | 61006SJ | |
| | | | | 61007SJ 61008SJ | |
| | 1 2 3 | Box | Al/Cu 2/0-#6 | 61036J | 120 |
| | | | | 61037J | |
| | | | | 61038J | |
| | 1 2 3 | Box | Cu* 2/0-#12 | 61006J | 50 |
| | | | | 61007J | |
| | | | | 61008J | |

DIMENSIONS FOR 100A SPACE SAVING "SJ" STYLE FUSE BLOCKS



DIMENSIONS FOR 100A STANDARD CLASS J STYLE FUSE BLOCKS



FB

600 VOLT, 200, 400 & 600 AMPERE CLASS J FUSE BLOCKS

| Ampere Rating | Poles | Connector | | Catalog No. | Fig. | Connector Torque In - lb |
|------------------------------|-------|--------------|-----------------|-------------|------|-----------------------------|
| | | Type | Wire Range | | | |
| 200 Phenolic Insulator | 1 | Box | Al/Cu | 62001J | 1 | 375 |
| | 3 | Side-Clip | 350kcmil-#6 | 62003J | 2 | |
| | 1 | Box | Cu** | 62051J | 1 | 275 |
| | 3 | Side-Clip | 350kcmil-#6 | 62053J | 2 | |
| 400 Phenolic Insulator | 1 | Box* | AL/Cu | 64001J | 3 | 375 |
| | 3 | Side-Clip | 1000-250kcmil | 64003J | 4 | |
| | 1 | Box | AL/Cu | 64031J | 5 | 275 |
| | 3 | In-Line Clip | {2} 350kcmil-#4 | 64033J | 6 | |
| | 1 | Box* | Cu** | 64051J | 3 | 375 |
| | 3 | Side-Clip | 1000-250kcmil | 64053J | 4 | |
| | 1 | Box | Cu** | 64061J | 5 | 275 |
| | 3 | In-Line Clip | {2} 350kcmil-#6 | 64063J | 6 | |
| 600 Phenolic Insulator | 1 | Box | Al/Cu | 6631J | 7 | 500 |
| | 3 | In-Line Clip | {2} 500kcmil-#4 | 6633J | 8 | |
| | 1 | Box | Cu** | 6661J | 7 | 375 |
| | 3 | In-Line Clip | {2} 500kcmil-#4 | 6663J | 8 | |

* Not UL Listed or CSA Certified

** Fuse blocks have copper box connectors and clips and are for copper wires only. These are specifically designed with the same coefficient of expansion as copper wire for improved heat cycling and meet or exceed OEM "no aluminum" specifications.

Recommended mounting screws:
All 200A, 400A & 600A - 5/16" (.313" dia.)

DIMENSIONS

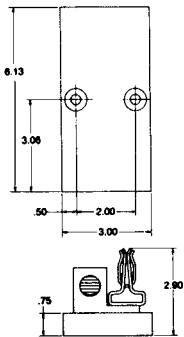


Figure 1

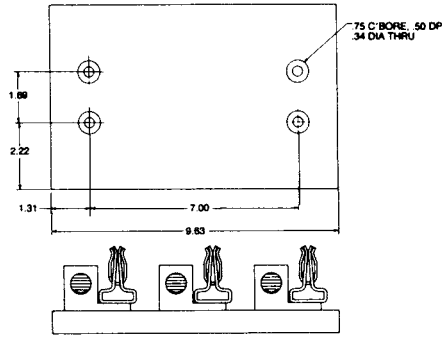


Figure 2

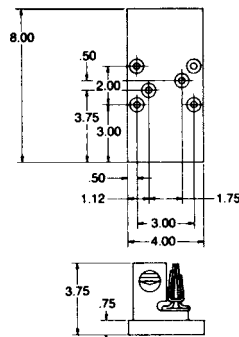


Figure 3

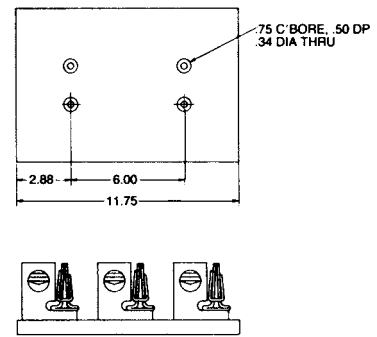


Figure 4

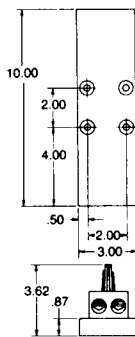


Figure 5

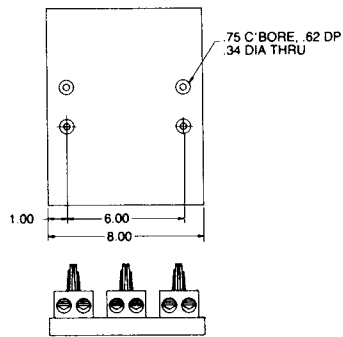


Figure 6

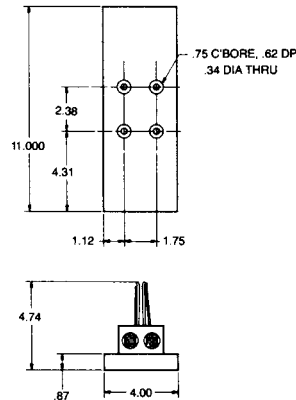


Figure 7

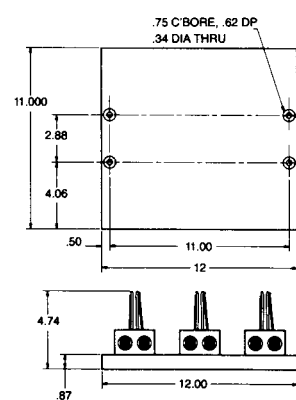


Figure 8

