

Protistor® size 70 gR

350 to 600VDC

SEMICONDUCTOR PROTECTION FUSES

SQUARE BODY HIGH-SPEED FUSE-LINKS DC PROTECTION



These Protistor® fuse-links provide maximum flexibility in equipment design and ultimate protection for today's power conversion equipment. These square body fuse-links are available in different body sizes, each size having multiple worldwide acceptable mounting styles.

The Protistor® have been engineered to provide state-of-the-art protection for semiconductors: diodes, thyristors, GTO's and IGBT devices. Fuses are assembled with pure silver, die-cut elements embedded in solidified sand, which helps control arcing characteristics for a lower I^2t and high interrupting rating level. All contact surfaces are silver plated and all hardware is non-magnetic.

All fuse-links can be equipped with a low voltage trip-indicator which can operate a field mountable microswitch.

TECHNICAL DATA OVERVIEW

Voltage Range DC	350 ... 600 VDC
Ampere Range (A)	50 ... 350 A
Speed/Characteristic	gR
Product Size	70

FEATURES & BENEFITS

- Multiple body sizes and terminals or blades combination
- gR Class according to IEC 60269-4 and VDE 636-23
- Low I^2t for improved semiconductor protection
- Extremely fast acting
- Eliminate all overloads
- Excellent cycling capability

APPLICATIONS

- Protection of inverters, motor drives, UPS systems and similar 600V or less equipments.

STANDARDS

- IEC 60269-4 Compliance
- UL/CSA Recognized E76491
- CCC GB 1359.4



PRODUCT RANGE

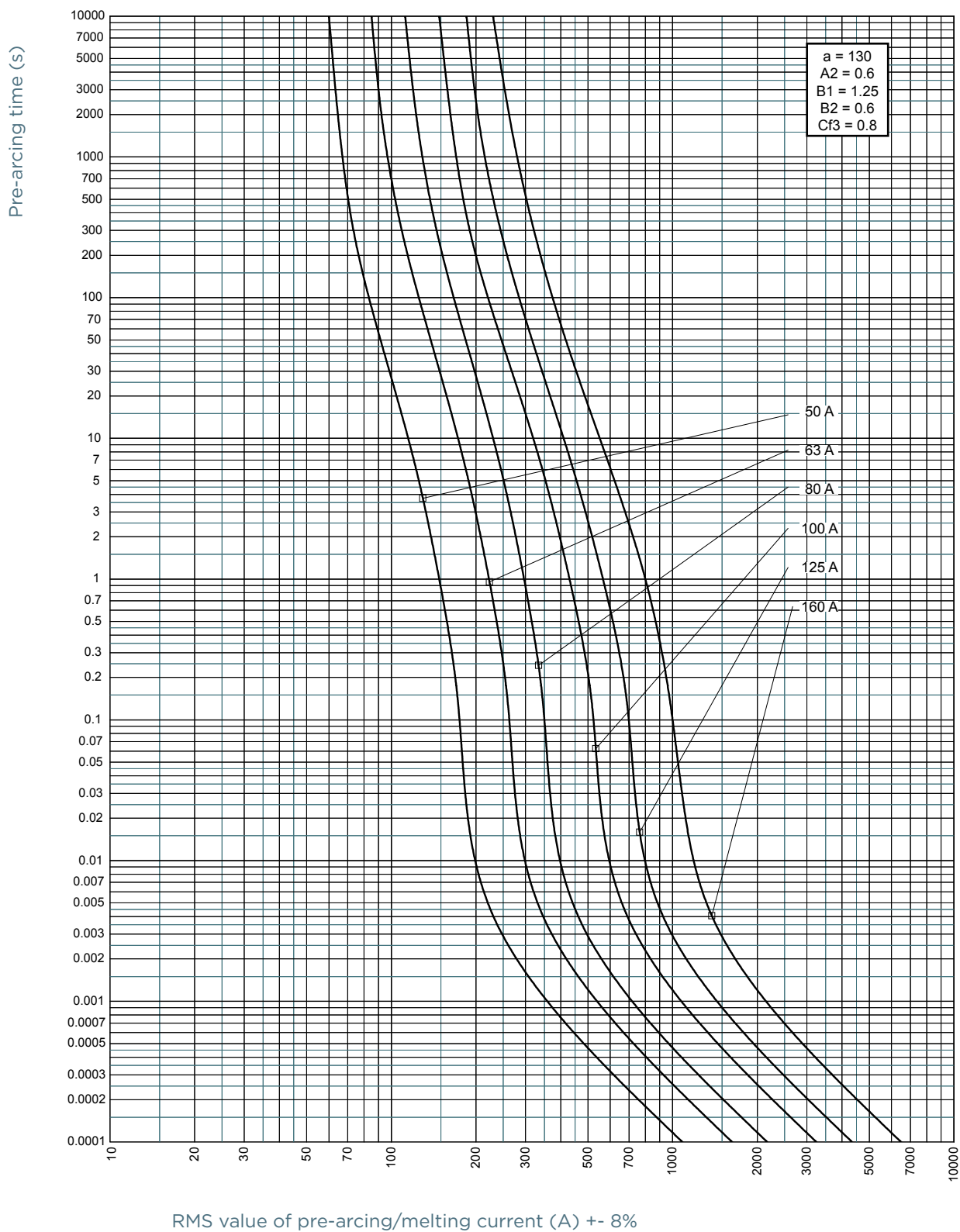
Size 70 type TTF-with one ISO metric threaded hole

Catalog number	Item number	Rated voltage DC (IEC)	Rated voltage DC (UL)	Rated current I _n	Pre-arcing I ² t	Power dissipation at I _n	Package	Weight
D70GB60V50TF	Q302073	600 V	650 V	50 A	118 A ² s	17 W	3	0.34 kg
D70GB60V63TF	R302074	600 V	650 V	63 A	266 A ² s	18 W	3	0.34 kg
D70GB60V80TF	S302075	600 V	650 V	80 A	473 A ² s	22 W	3	0.34 kg
D70GB60V100TF	T302076	600 V	650 V	100 A	1058 A ² s	23 W	3	0.34 kg
D70GB60V125TF	V302077	600 V	650 V	125 A	1897 A ² s	26 W	3	0.34 kg
D70GB60V160TF	W302078	600 V	650 V	160 A	4232 A ² s	29 W	3	0.34 kg
D70GB55V200TF	X302079	550 V	600 V	200 A	7540 A ² s	33 W	3	0.34 kg
D70GB55V250TF	Y302080	550 V	600 V	250 A	13448 A ² s	39 W	3	0.34 kg
D70GB45V315TF	K302666	450 V	500 V	315 A	24112 A ² s	46 W	3	0.34 kg
D70GB35V350TF	-	350 V	400 V	350 A	40780 A ² s	46 W	3	0.34 kg

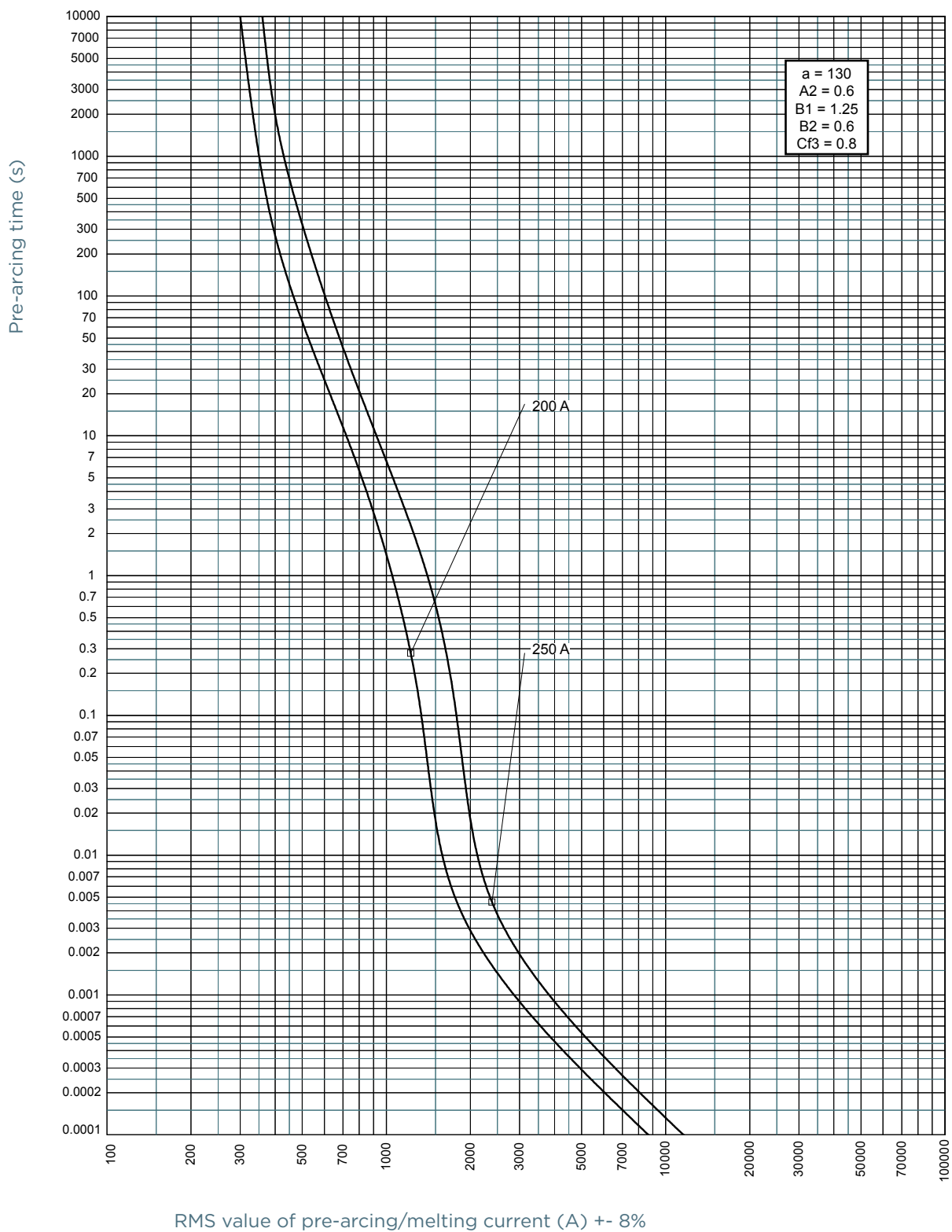
Size 70 type ESF style notched blade connections

Catalog number	Item number	Rated voltage DC (IEC)	Rated voltage DC (UL)	Rated current I _n	Pre-arcing I ² t	Power dissipation at I _n	Package	Weight
D70GB60V50ESFB	B1003031	600 V	650 V	50 A	118 A ² s	17 W	3	0.4 kg
D70GB60V63ESF	Q232475	600 V	650 V	63 A	266 A ² s	18 W	3	0.4 kg
D70GB60V80ESF	C232601	600 V	650 V	80 A	473 A ² s	22 W	3	0.4 kg
D70GB60V100ESF	J302665	600 V	650 V	100 A	1058 A ² s	23 W	3	0.4 kg
D70GB60V125ESF	Q235488	600 V	650 V	125 A	1897 A ² s	26 W	3	0.4 kg
D70GB60V160ESF	T302490	600 V	650 V	160 A	4232 A ² s	29 W	3	0.4 kg
D70GB55V200ESF	R302488	550 V	600 V	200 A	7540 A ² s	34 W	3	0.4 kg
D70GB55V250ESF	J302688	550 V	600 V	250 A	13448 A ² s	40 W	3	0.4 kg
D70GB45V315ESF	V229236	450 V	500 V	315 A	24112 A ² s	47 W	3	0.4 kg
D70GB35V350ESF	S1022458	350 V	400 V	350 A	40780 A ² s	47 W	3	0.4 kg

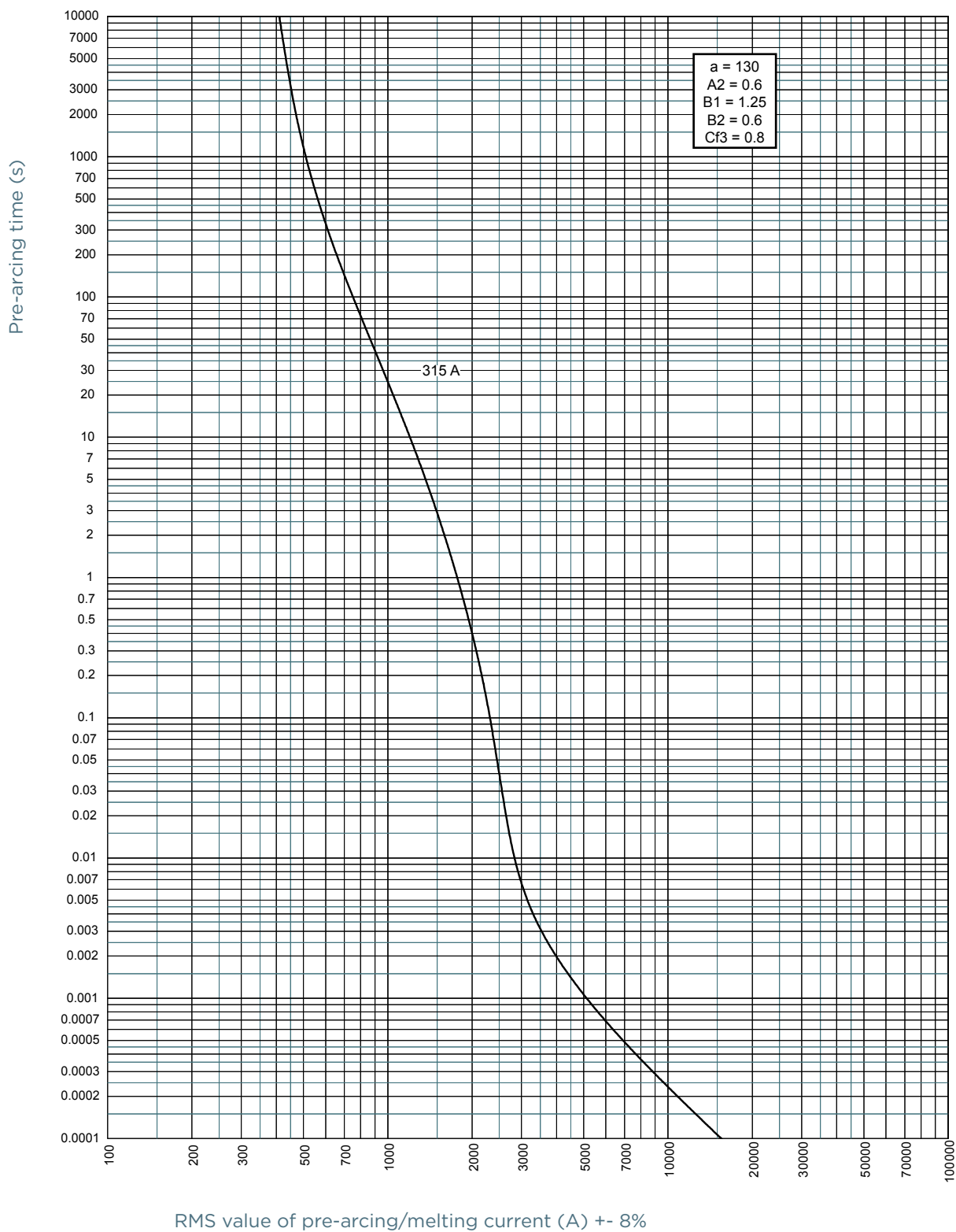
TIME CURRENT CHARACTERISTIC CURVES



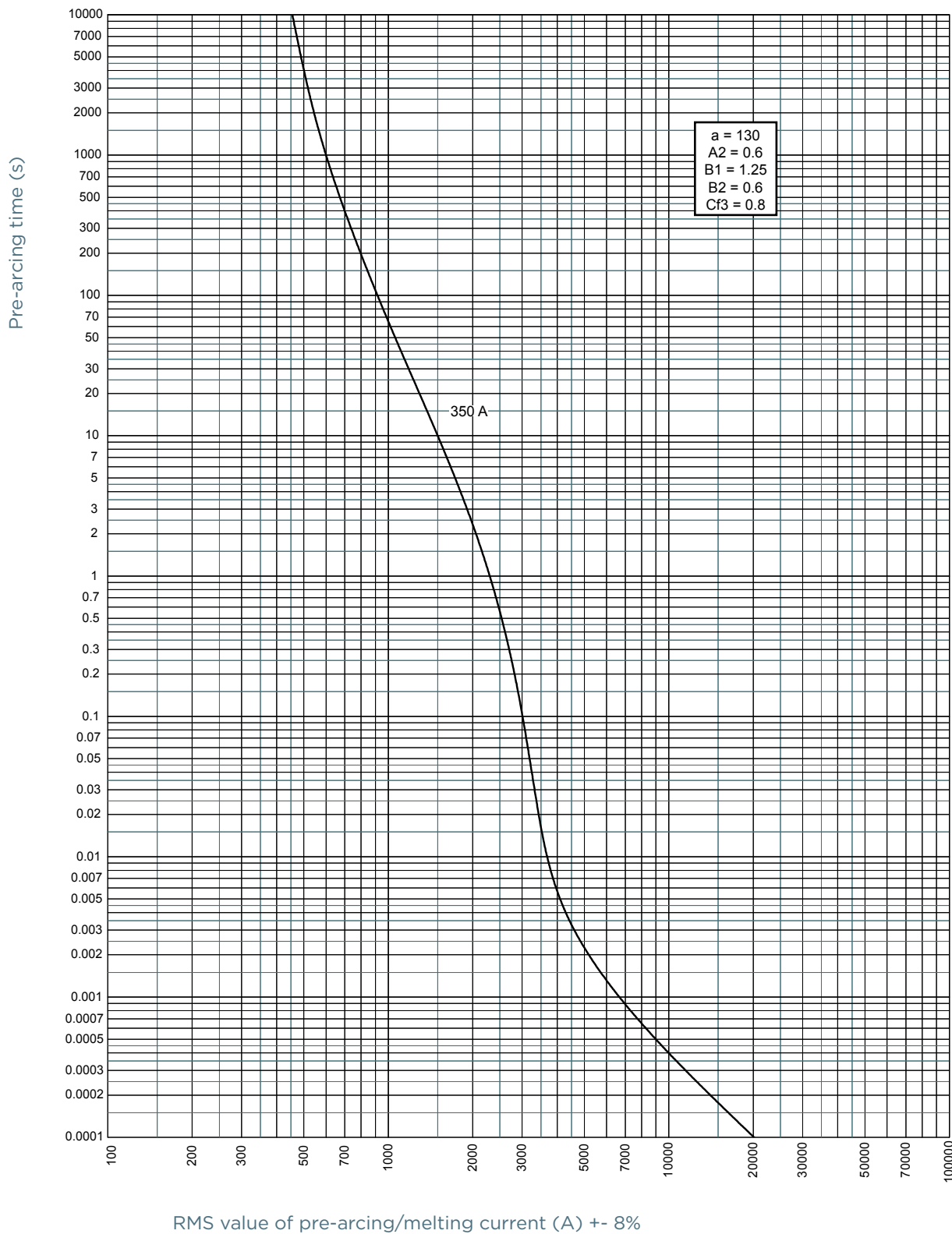
TIME CURRENT CHARACTERISTIC CURVES



TIME CURRENT CHARACTERISTIC CURVES

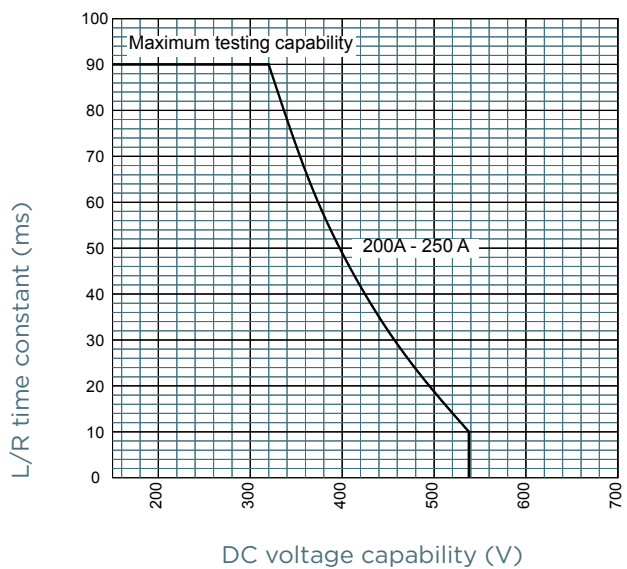
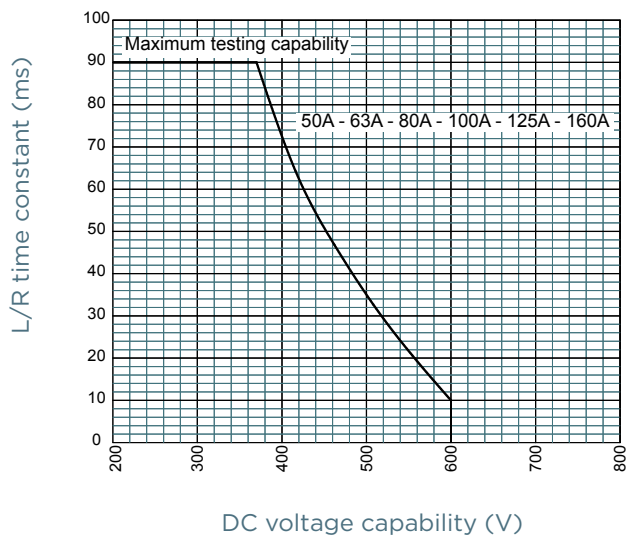


TIME CURRENT CHARACTERISTIC CURVES

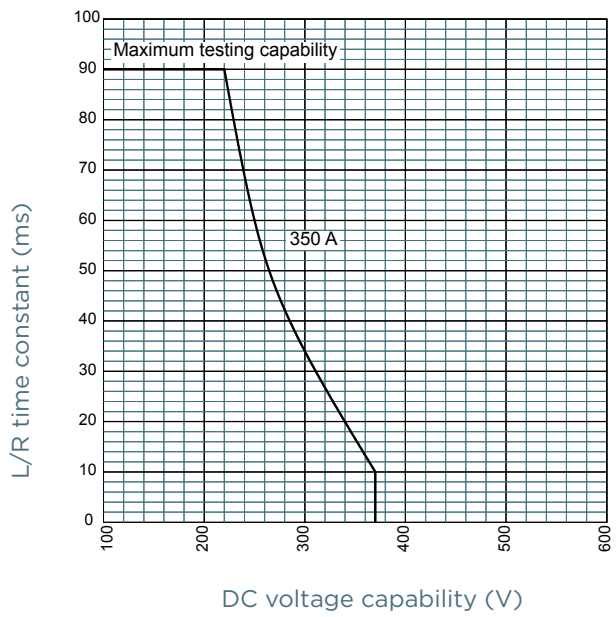
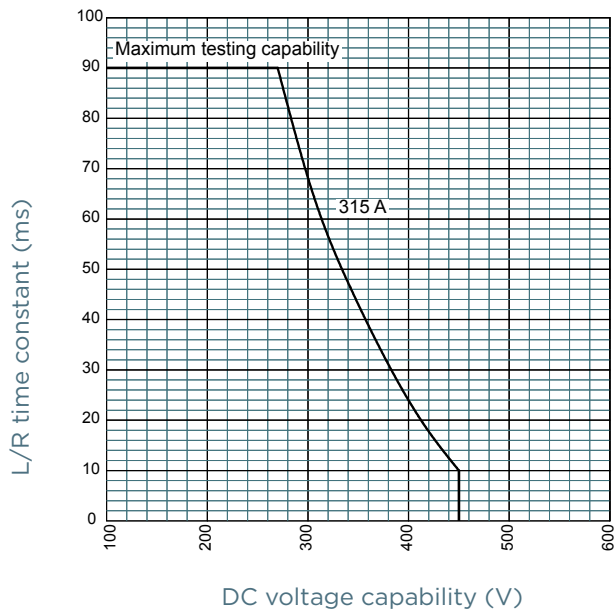


MERSEN reserves the right to change, update or correct, without notice, any information contained in this datasheet.

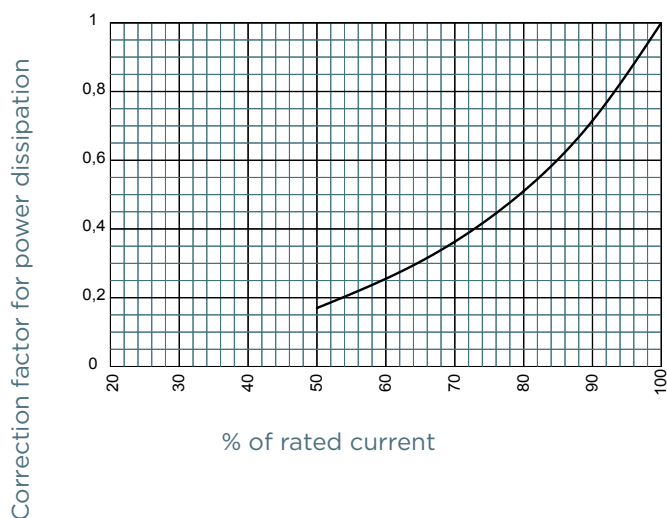
L/R TIME CONSTANT VS DC VOLTAGE CAPABILITY



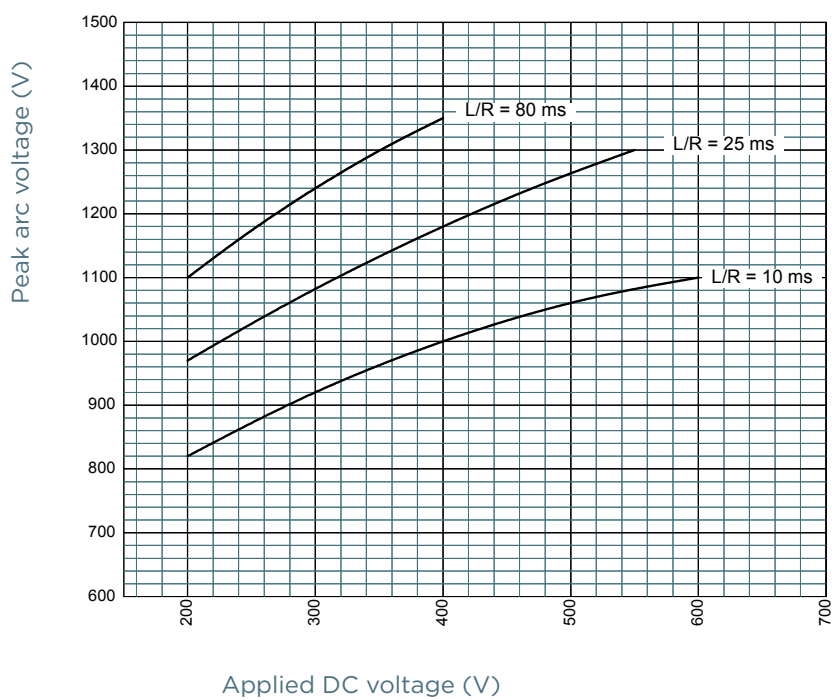
L/R TIME CONSTANT VS DC VOLTAGE CAPABILITY



POWER DISSIPATION



PEAK ARC VOLTAGE

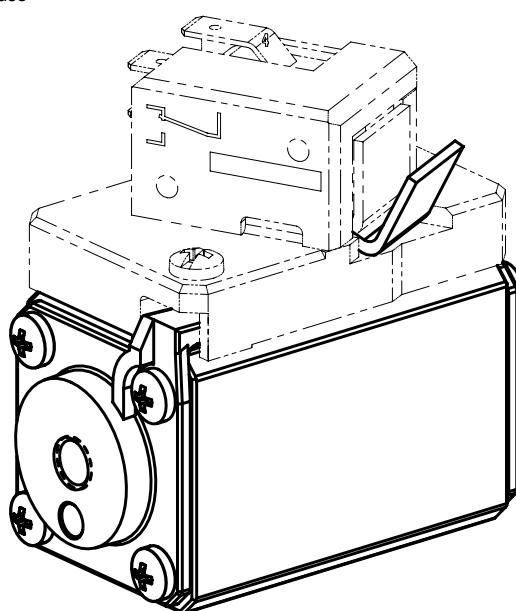
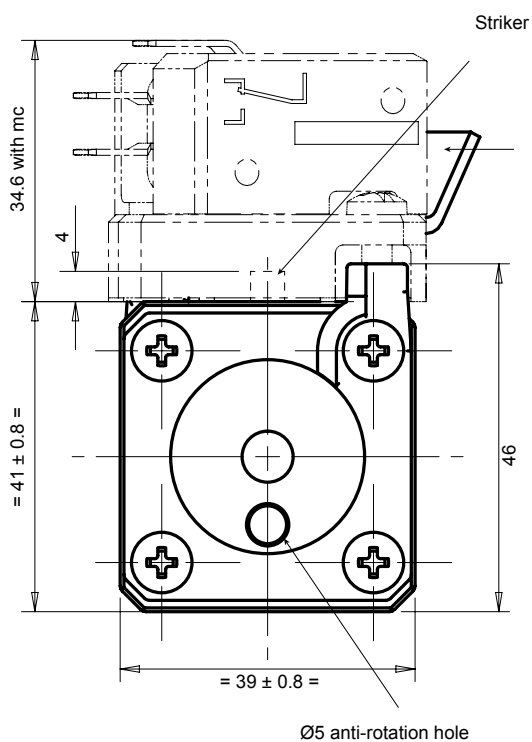
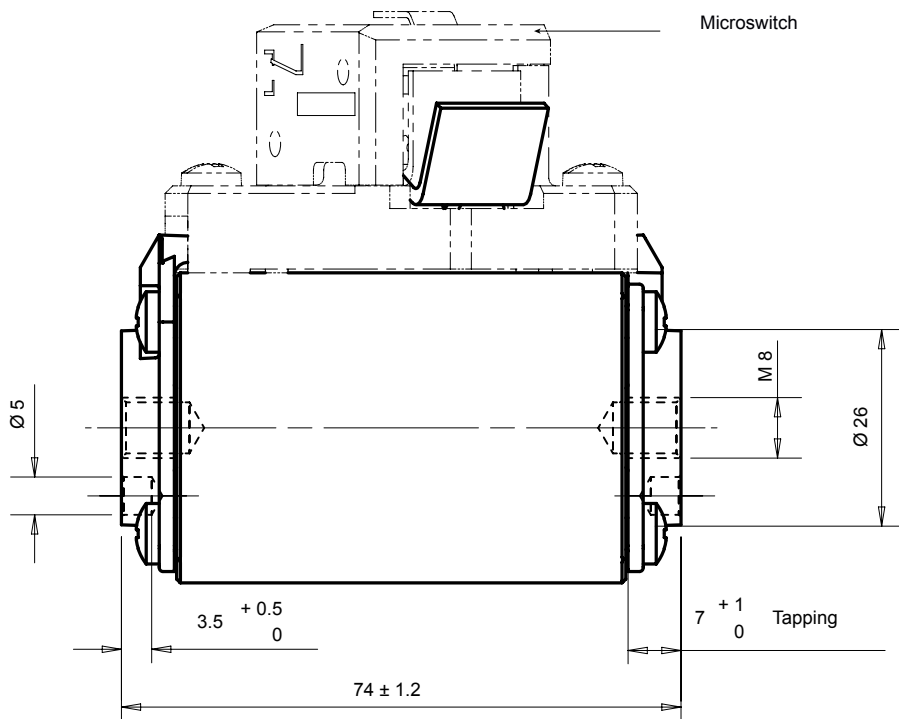


Protistor® size 70 gR

350 to 600VDC

DIMENSIONS

Size 70 gR TTF



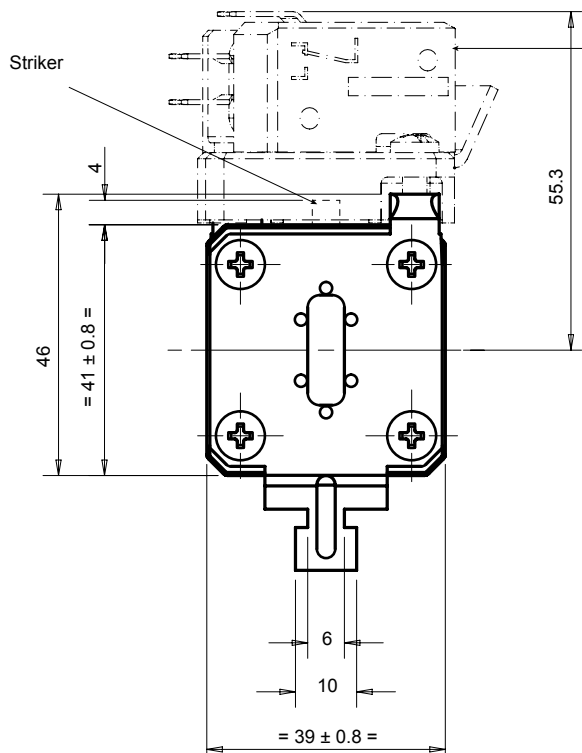
Dimensions in mm

Protistor® size 70 gR

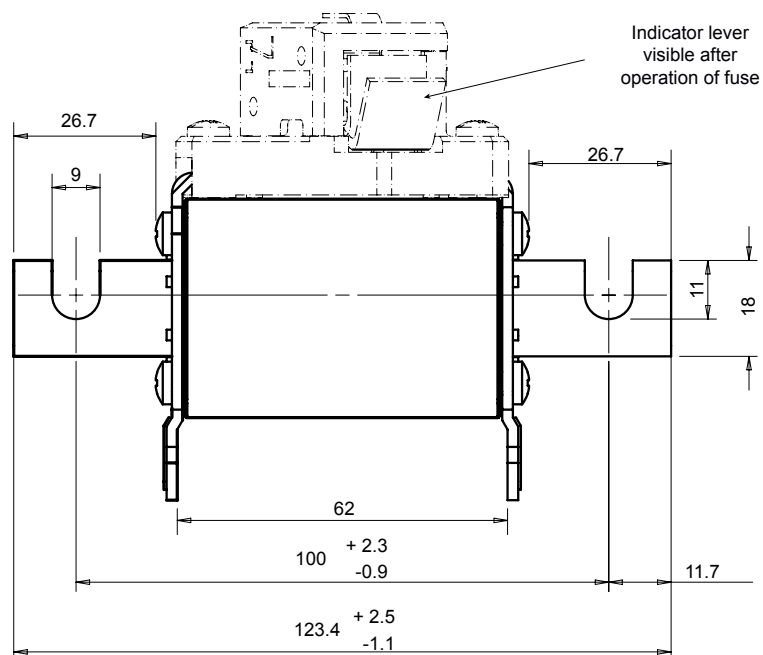
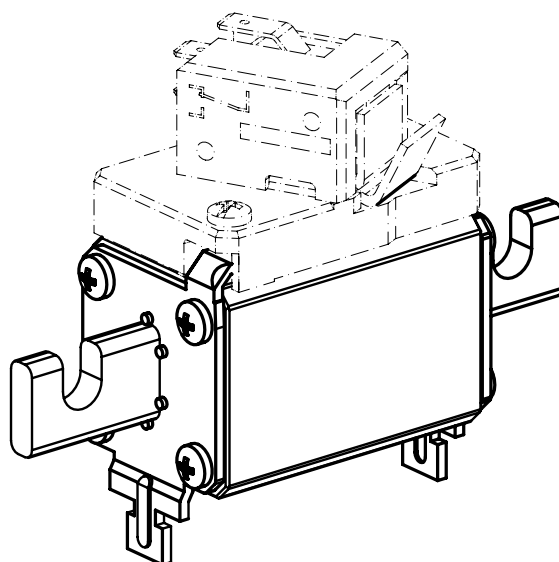
350 to 600VDC

DIMENSIONS

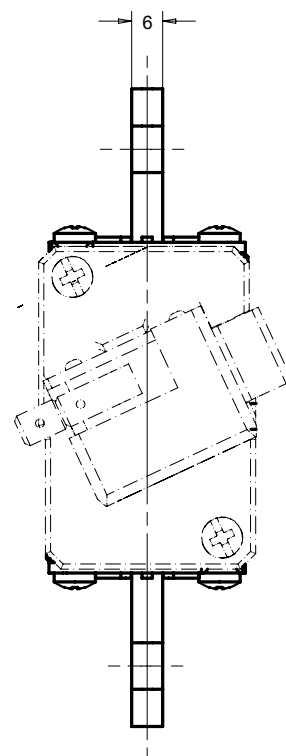
Size 70 gR EF



Microswitch



Indicator lever visible after operation of fuse



Dimensions in mm