

Modulostar® CMS27 - Ultrasafe™ US27

Modular fuse-holders

FUSE HOLDERS, FUSE BASES AND SUPPORTS

UL/CSA FUSE HOLDERS



The innovative and comprehensive Modulostar® range of Mersen fuse-holders.

Modular fuse-holders are finger-safe as per IEC standards to an IP20 grade of protection. Including fuse changing, with the flick of a finger. Modular fuse-holders are available in 1, 2 or 3 poles, with or without visual blown fuse indicators, in IEC + UL version.

Multi-pole units can also be field assembled by ordering pin-ties assembly kit. The range offers the possibility to use microswitches (supplied with the holders or ordered separately) to allow remote indication. Modulostar® range is made of tough and durable thermoplastic or thermoset material.

TECHNICAL DATA OVERVIEW

UL ratings AC / DC	800 V, 150 A, 200 kA
Rated insulation voltage U_i	800 V
SCCR	200 kA
Mounting	Installation on to DIN rails to EN 60715
Product Size	For cylindrical fuse links 27x60 or J60
Number of poles	1 to 4 poles

FEATURES & BENEFITS

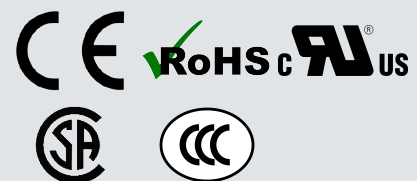
- Finger safe
- Degree of protection: IP20
- Optional visual blown fuse indicator & microswitch
- Designs available for DIN rail mounting and direct mounting on board
- Modular design
- Multi-pole assembly kit available
- Plastic material UL94V2 mini
- Flame retardant materials with glow wire flammability index to 960°C

APPLICATIONS

- All circuits up to 800V using semi-conductor fuses for protection of small inverters, UPS systems, motor drives, etc.
- Non-load operation

STANDARDS

- IEC 60269-2 and IEC 60947-3 Compliance
- UL4248-1 Compliant
- RoHS Compliant
- Plastic material: NF 16101 & 16102 Requirement 2 Compliant
- Vibration tested for marine and railway applications
- CCC (screw terminal connection only)



PRODUCT RANGE



CMS27I

Modulostar® fuse holders for 27x60 fuse-links, without indicator

Catalog number	Item number	Number of poles/phases	Design	Package	Weight
CMS27I	R210580	1	single pole	3	0.30 kg
CMS271N	S210581	1 + N	single pole + neutral conductor	1	0.72 kg
CMS272	T210582	2	double pole	1	0.67 kg
CMS273	V210583	3	triple pole	1	0.91 kg
CMS273N	W210584	3 + N	triple pole + neutral conductor	1	1.25 kg
CMS27N	B210152	N	neutral conductor	3	0.37 kg



US27II

UltraSafe™ fuse holders for 27x60 fuse-links, with indicator

Catalog number	Item number	Number of poles/phases	Design	Package	Weight
US27II	J226420	1	single pole	3	0.30 kg
US271NI	K226421	1+N	single pole + neutral conductor	1	0.73 kg
US272I	L226422	2	double pole	1	0.67 kg
US273I	M226423	3	triple pole	3	1 kg
US273NI	N226424	3+N	triple pole + neutral conductor	1	1.27 kg

UltraSafe™ fuse holders for 27x60 fuse-links, without indicator



US273

Catalog number	Item number	Number of poles/phases	Design	Package	Weight
US27I	G320005	1	single pole	3	0.30 kg
US272	H320006	2	double pole	1	0.66 kg
US273	J320007	3	triple pole	3	0.9 kg
US27N	R232729	N	neutral conductor	3	0.37 kg



US271MI

UltraSafe™ fuse holders for 27x60 fuse-links, with auxiliary microswitch and indicator

Catalog number	Item number	Number of poles/phases	Design	Package	Weight
US271MI	R227600	1	single pole	1	0.32 kg
US272M2I	T227602	2	double pole, 2 microswitches	1	0.7 kg
US272MI	S227601	2	double pole, 1 microswitch	1	0.68 kg

UltraSafe™ fuse holders for 27x60 fuse-links, with auxiliary microswitch, indicator and ring lug connection

Catalog number	Item number	Number of poles/phases	Design	Package	Weight
US271MIRING	Z227607	1	single pole	1	0.54 kg
US272M2IRING	B227609	2	double pole, 2 microswitches	1	1.00 kg

PRODUCT RANGE

UltraSafe™ fuse holders for 27x60 fuse-links, with indicator and ring lug connection

Catalog number	Item number	Number of poles/phases	Design	Package	Weight
US271NIRING	E223518	1+N	single pole + neutral conductor	1	0.8 kg
US27IRING	B223515	1	single pole	3	0.47 kg
US272IRING	C223516	2	double pole	1	1.00 kg
US273IRING	D223517	3	triple pole	3	1.39 kg
US27NIRING	F223519	N	neutral conductor	3	0.34 kg

Modulostar® CMS27 - Ultrasafe™ US27

Modular fuse-holders

TECHNICAL DATA

	CMS27	US27I	US27	US27M	US27MIRING	US27IRING
Size	27x60	27x60	27x60	27x60	27x60	27x60
Installation mode	direct mounting on board: 2xM4 screw with tightening torque 1-1.2Nm (8 to 10.6lbs-in)	direct mounting on board: 2xM4 screw with tightening torque 1-1.2Nm (8 to 10.6lbs-in)	direct mounting on board: 2xM4 screw with tightening torque 1-1.2Nm (8 to 10.6lbs-in)	direct mounting on board: 2xM4 screw with tightening torque 1-1.2Nm (8 to 10.6lbs-in)	direct mounting on board: 2xM4 screw with tightening torque 1-1.2Nm (8 to 10.6lbs-in)	direct mounting on board: 2xM4 screw with tightening torque 1-1.2Nm (8 to 10.6lbs-in)
Number of poles/phases	1, 1+N, 2, 3, 3+N	1, 1+N, 2, 3, 3+N	1, 1+N, 2, 3	1, 2	1, 2	1, 1+N, 2, 3
Conventional free air thermal current with fuse links I_{th}	140 A	140 A	140 A	140 A	140 A	140 A
Max. power dissipation of fuse links P_n	11 W	11 W	11 W	11 W	11 W	11 W
Utilisation category	AC20B/DC20B	AC20B/DC20B	AC20B/DC20B	AC20B/DC20B	AC20B/DC20B	AC20B/DC20B
Rated insulation voltage U_i	800 V	800 V	800 V	800 V	800 V	800 V
Rated impulse withstand voltage U_{imp}	8 kV	8 kV	8 kV	8 kV	8 kV	8 kV
Degree of protection	IP 20	IP 20	IP 20	IP 20	IP 20	IP 20
Voltage limit for blown fuse indicator	-	230 to 690V AC/DC	-	-	-	230 to 690V AC/DC
Indication System	-	with indicator	-	with auxiliary microswitch	with auxiliary microswitch and special connection	with indicator and special connection
Operating temperature	-25°C to 60°C	-25°C to 60°C	-25°C to 60°C	-25°C to 60°C	-25°C to 60°C	-25°C to 60°C
Storage temperature	-25°C to 80°C	-25°C to 80°C	-25°C to 80°C	-25°C to 80°C	-25°C to 80°C	-25°C to 80°C
Connection	rigid wire = 1.5-50mm ² (16-1/0AWG) multistrand wire = 1.5-16mm ² (16-6AWG) recommended tightening torque: 3.5Nm (30lbs-in) PZ3 or flat 8x1.2mm screw drivers recommended	rigid wire = 1.5-50mm ² (16-1/0AWG) multistrand wire = 1.5-16mm ² (16-6AWG) recommended tightening torque: 3.5Nm (30lbs-in) PZ3 or flat 8x1.2mm screw drivers recommended	rigid wire = 1.5-50mm ² (16-1/0AWG) multistrand wire = 1.5-16mm ² (16-6AWG) recommended tightening torque: 3.5Nm (30lbs-in) PZ3 or flat 8x1.2mm screw drivers recommended	rigid wire = 1.5-50mm ² (16-1/0AWG) multistrand wire = 1.5-16mm ² (16-6AWG) recommended tightening torque: 3.5Nm (30lbs-in) PZ3 or flat 8x1.2mm screw drivers recommended	-	-
Auxiliary switches						
Rated insulation voltage AC	250 V	250 V	250 V	250 V	250 V	250 V
Rated operational current to IEC 60947-5-1/AC15	4A/24V, 4A/48V, 3A/127V, 2,5A/240V	4A/24V, 4A/48V, 3A/127V, 2,5A/240V	4A/24V, 4A/48V, 3A/127V, 2,5A/240V	4A/24V, 4A/48V, 3A/127V, 2,5A/240V	4A/24V, 4A/48V, 3A/127V, 2,5A/240V	4A/24V, 4A/48V, 3A/127V, 2,5A/240V
Rated operational current to IEC 60947-5-1/AC13	3A/24V, 1A/48V, 0,2A/127V, 0,1A/240V	3A/24V, 1A/48V, 0,2A/127V, 0,1A/240V	3A/24V, 1A/48V, 0,2A/127V, 0,1A/240V	3A/24V, 1A/48V, 0,2A/127V, 0,1A/240V	3A/24V, 1A/48V, 0,2A/127V, 0,1A/240V	3A/24V, 1A/48V, 0,2A/127V, 0,1A/240V
Min. operational current AC/DC	100 mA	100 mA	100 mA	100 mA	100 mA	100 mA
Min_operational_voltage AC/DC	20 V	20 V	20 V	20 V	20 V	20 V
Connection	Faston lugs	Faston lugs	Faston lugs	Faston lugs	Faston lugs	Faston lugs

MERSEN reserves the right to change, update or correct, without notice, any information contained in this datasheet.

Modulostar[®] CMS27 - Ultrasafe[™] US27

Modular fuse-holders

SPECIFIC USAGE CONDITIONS

Ambient temperature	> 20°C	30°C	40°C	50°C	60°C
Derating factor (I _e)	1	0.95	0.9	0.8	0.7

No of poles (side by side)	1 to 3	4 to 6	>= 7
Derating factor of current (I _{th})	1	0.95	0.9

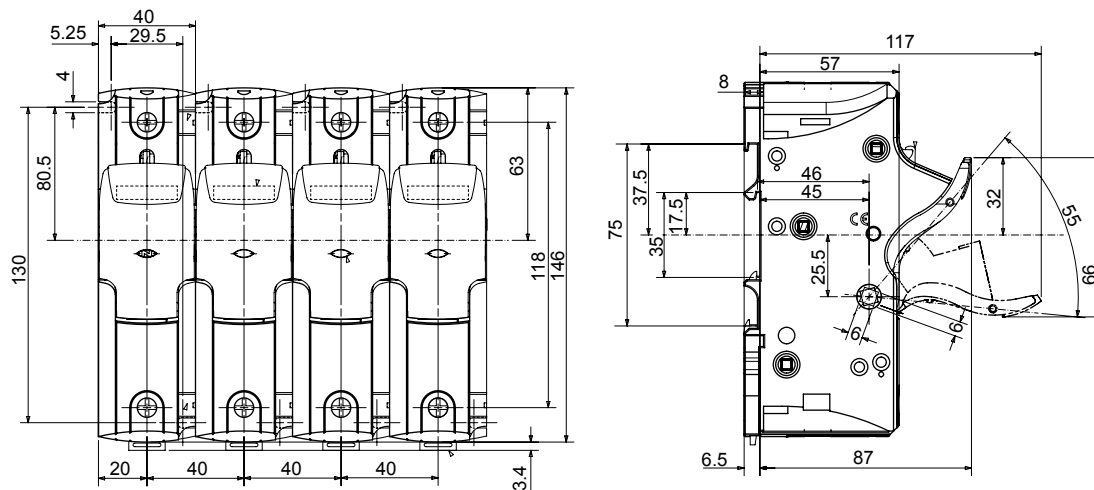
Nominal current of fuse-link gR	100 A	110 A
Max. operational current in fuse-holder	96 A	102 A
Cable wire section	25 mm ²	35 mm ²

DIMENSIONS

Modulostar[®] CMS27 Ultrasafe[™] US27 fuse-holders for cylindrical fuse-links class 27x60mm

Terminal connection: screw, U bolt or connector

(0114931)



Dimensions in mm

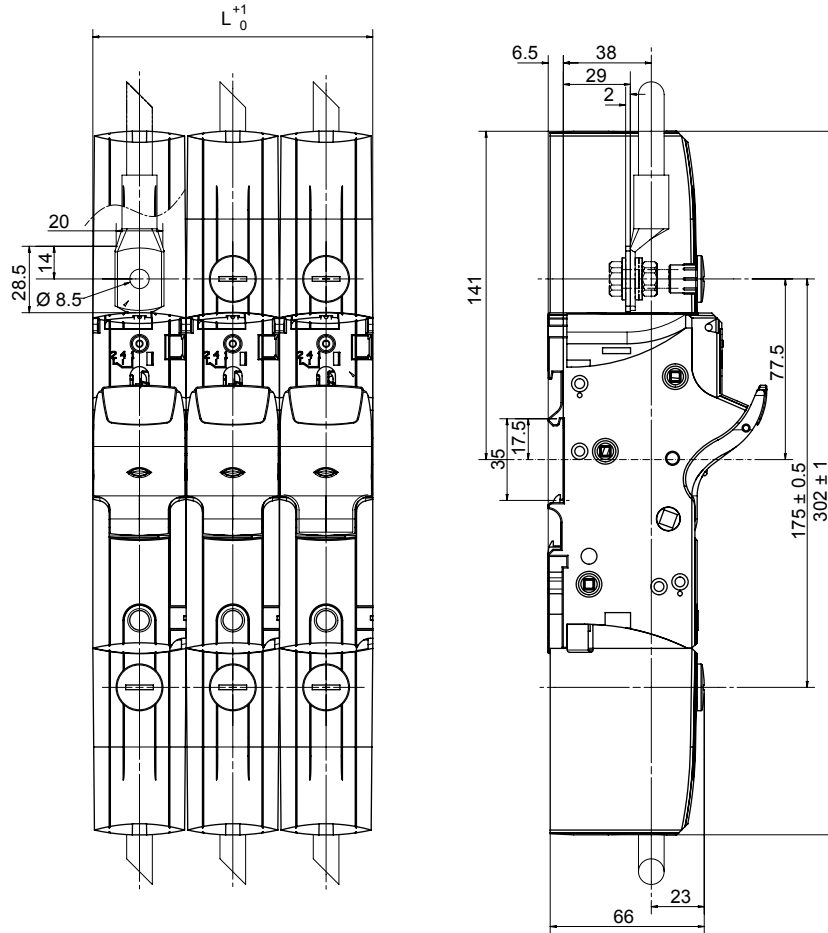
Modulostar® CMS27 - Ultrasafe™ US27

Modular fuse-holders

DIMENSIONS

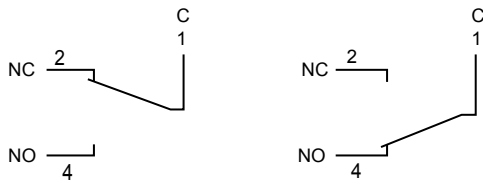
Modulostar® CMS27 Ultrasafe™ US27 fuse-holders for cylindrical fuse-links class 27x60mm
terminal connection: ring lug

(C118276)



Dimensions in mm

Auxiliary Microswitch



ACCESSORIES

Kit for multi phase connection

Catalog number	Item number	Design	Package	Weight
US27PAK	US27PAK	links for connection of multipole units	10	3 g

ACCESSORIES

Auxiliary Switches

Catalog number	Item number	Design	Package	Weight
US27W1	US27W1	Microswitch kit	1	20 g

Wiring bars / Insulated bus bars

Catalog number	Item number	Design	Package	Weight
Wiring bars / Insulated Busbars				
RAILDINSY	J213172	35mm Mounting rail symmetric perçage symétrique	40	0.36 kg
RAILDINSYPERF	C213672	35mm Mounting rail symmetric drilled 1 pôle	40	0.33 kg
RAILDINSYRENFZ	R215203	35mm Mounting rail symmetric reinforced montage rail symétrique	40	0.67 kg