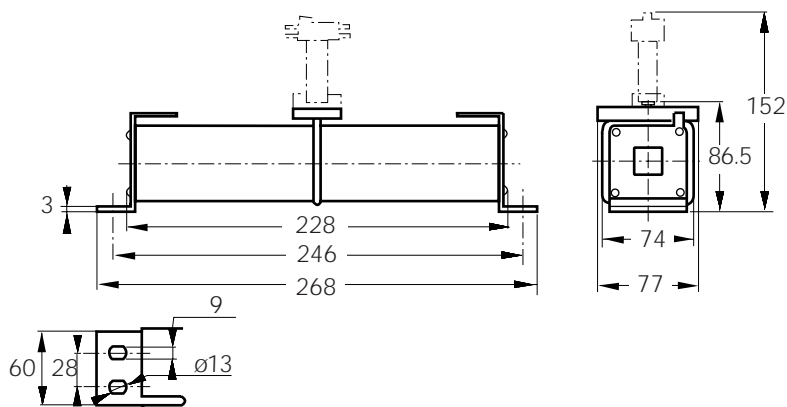


Protistor DC fuses

DC Square-body Fuses Sizes 300 - 302 - 2x302 gR Brackets size 302 - 2000V DC

gRC-gRE from 100 to 280 A

Dimensions



Weight: 2200 g



Main Characteristics

Size	Current rating I_N (A)	Breaking Capacity	Watts loss		Designation	Ref. Number	Catalog Number
			$0.8 I_N$ (W)	I_N (W)			
	100	@ 2000 V DC	30	58.5	CC 20 gRC 302 QF 0100	N086929	D302GC20C100QF
	125	30 kA	37	72	CC 20 gRC 302 QF 0125	P086930	D302GC20C125QF
	160	L/R = 30 ms	47.5	93	CC 20 gRC 302 QF 0160	Q086931	D302GC20C160QF
302	160	@ 2000 V DC	42	70	CC 20 gRE 302 QF 0160	S075755	D302GE20C160QF
	200	30 kA	48	80	CC 20 gRE 302 QF 0200	T075756	D302GE20C200QF
	250	L/R = 14 ms	57	95	CC 20 gRE 302 QF 0250	V075757	D302GE20C250QF
	280	@ 1800 V DC 100 kA L/R = 20 ms	60	100	CC 20 gRE 302 QF 0280	W075758	D302GE20C280QF

Microswitch MC 2R 3E 1-5N BS Reference number: J310025

Protistor DC fuses

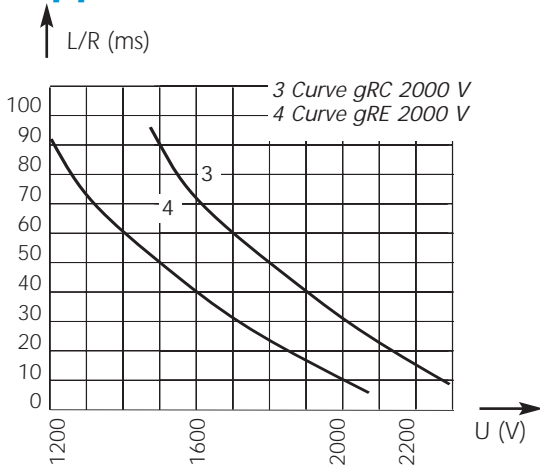
DC Square-body Fuses
 Sizes 300 - 302 - 2x302
 gR Brackets size 302 - 2000V DC



gRC-gRE from 100 to 280 A

Electrical characteristics

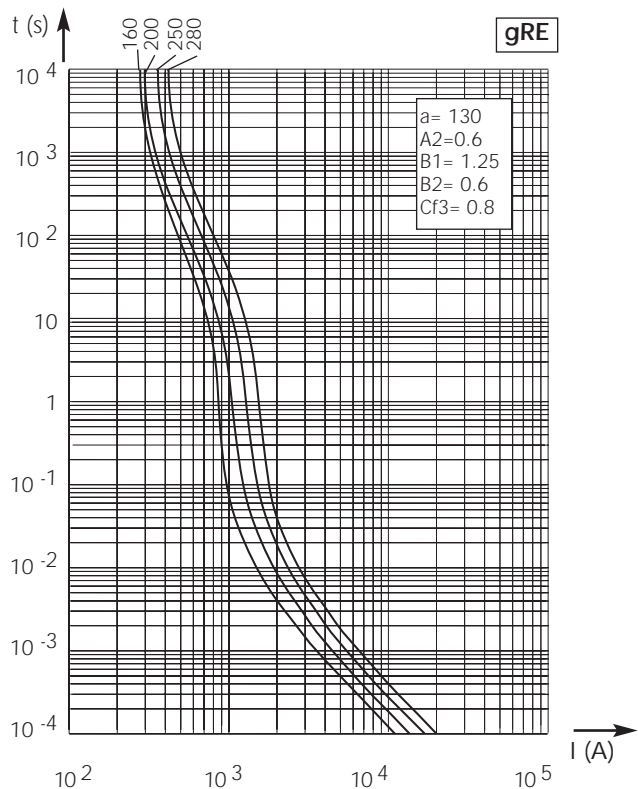
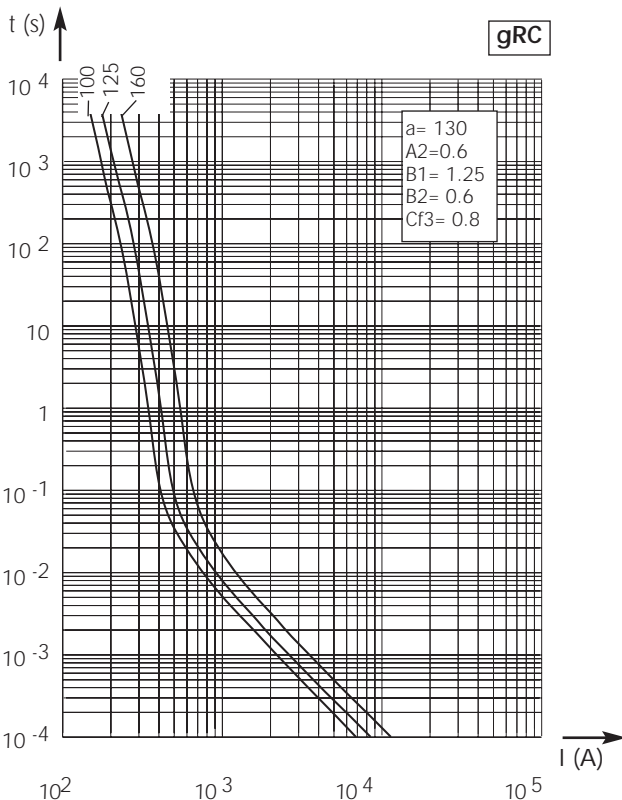
DC applications data



Above: Curves indicate maximum permissible value of time constant L/R as a function of DC working voltage

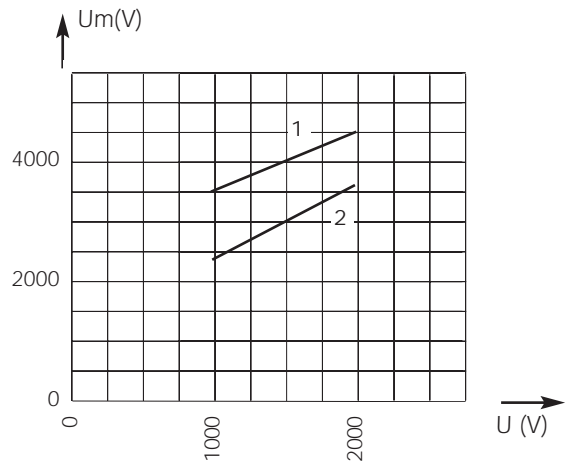
Max. AC voltage (50/60 Hz):
 1700 V with breaking capacity of 80 kA

Time vs. current characteristics



±10% tolerance for mean pre-arcing current

Peak arc voltage vs. working voltage



1 Curve gRC : L/R = 30 ms
 2 Curve gRE : L/R = 15 ms

Above: Curves indicate for various time constants L/R the peak arc voltage which may appear across the fuse terminals, vs. DC working voltage