

Protistor® size 121 gR

750VDC (IEC)

SEMICONDUCTOR PROTECTION FUSES

SQUARE BODY HIGH-SPEED FUSE-LINKS DC PROTECTION



Mersen DC offers provide a very high performant protection for railway power and auxiliary circuits. Mersen DC Semiconductor fuse-links were developed to provide improved performance required by today's new DC equipment. These fuse-links are typically operated at more elevated temperature than other fuse type, have lower I^2t to minimize damage to protected components on short circuits, lower watts loss and longer life.

TECHNICAL DATA OVERVIEW

Ampere Range (A)	200 ... 250 A
Speed/Characteristic	gR
Product Size	121
Rated Voltage DC (IEC)	750 VDC

FEATURES & BENEFITS

- Multiple body sizes and terminals or blades combination
- Very low I^2t
- Extremely fast acting
- Eliminate all overloads
- Excellent cycling capability

APPLICATIONS

- Protection of inverters
- Protection of motor drives
- Protection of UPS systems
- Railway power and auxiliary circuits
- Similar 750VDC or less equipments

STANDARDS

- IEC 60269-4 Compliance

MERSEN reserves the right to change, update or correct, without notice, any information contained in this datasheet.

Protistor® size 121 gR

750VDC (IEC)

PRODUCT RANGE



D121GC75V250EF

Size 121 gR 750VDC type EF, blade contacts with striker

Catalog number	Item number	Rated voltage DC (IEC)	Rated current I _n	Pre-arcing I ² t	Rated breaking capacity DC	Max. I ² t @900V, L/R=40ms, IP=50I _n	Max. I ² t @900V, L/R=40ms, IP=10I _n	Power dissipation at I _n	Power dissipation at 0.8 I _n	Weight
D121GC75V200EF	A086710	750 V	200 A	11.85 kA ² s	100 kA	150 kA ² s	755 kA ² s	37.5 W	20.5 W	1.02 kg
D121GC75V250EF	M085203	750 V	250 A	18.05 kA ² s	100 kA	250 kA ² s	1250 kA ² s	46.7 W	25.5 W	1.02 kg

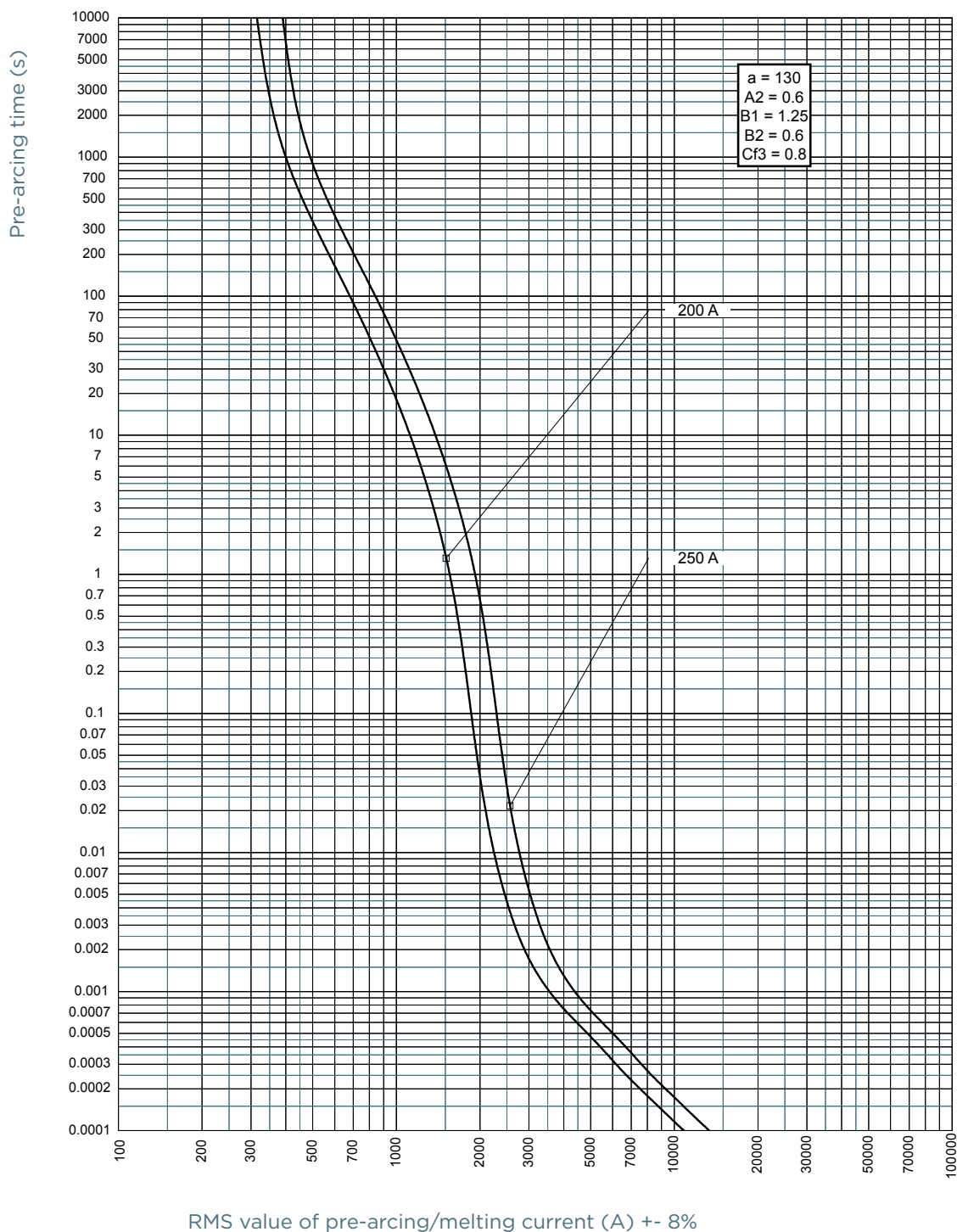


D121GC75V200TF

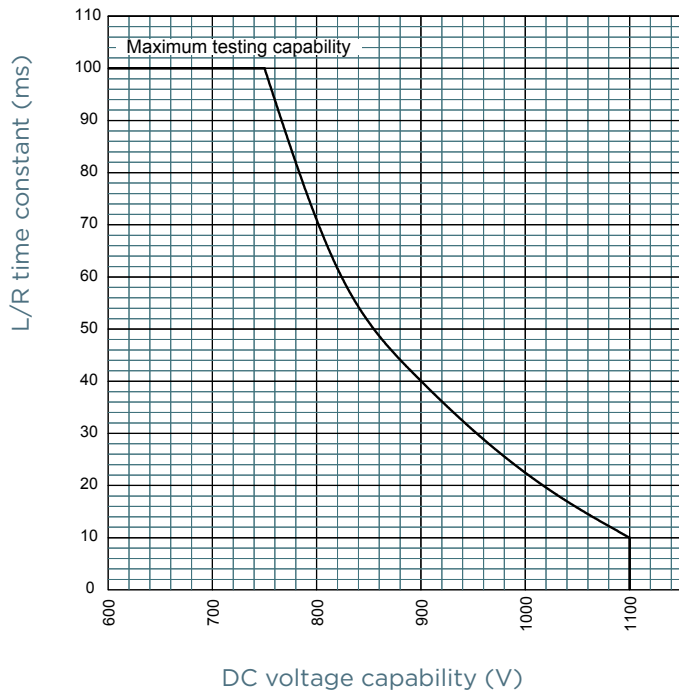
Size 121 gR 750VDC type TTF, threads terminals with striker

Catalog number	Item number	Rated voltage DC (IEC)	Rated current I _n	Pre-arcing I ² t	Rated breaking capacity DC	Max. I ² t @900V, L/R=40ms, IP=50I _n	Max. I ² t @900V, L/R=40ms, IP=10I _n	Power dissipation at I _n	Power dissipation at 0.8 I _n	Weight
D121GC75V200TF	N085250	750 V	200 A	11.85 kA ² s	100 kA	150 kA ² s	755 kA ² s	37.5 W	20.5 W	0.88 kg
D121GC75V250TF	Q085252	750 V	250 A	18.05 kA ² s	100 kA	250 kA ² s	1250 kA ² s	46.7 W	25.5 W	0.88 kg

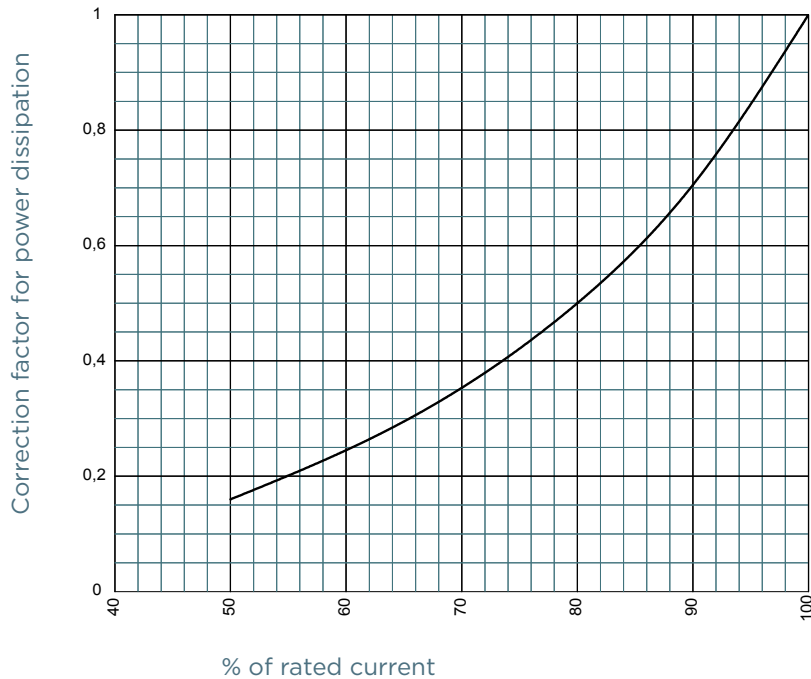
TIME CURRENT CHARACTERISTIC CURVES



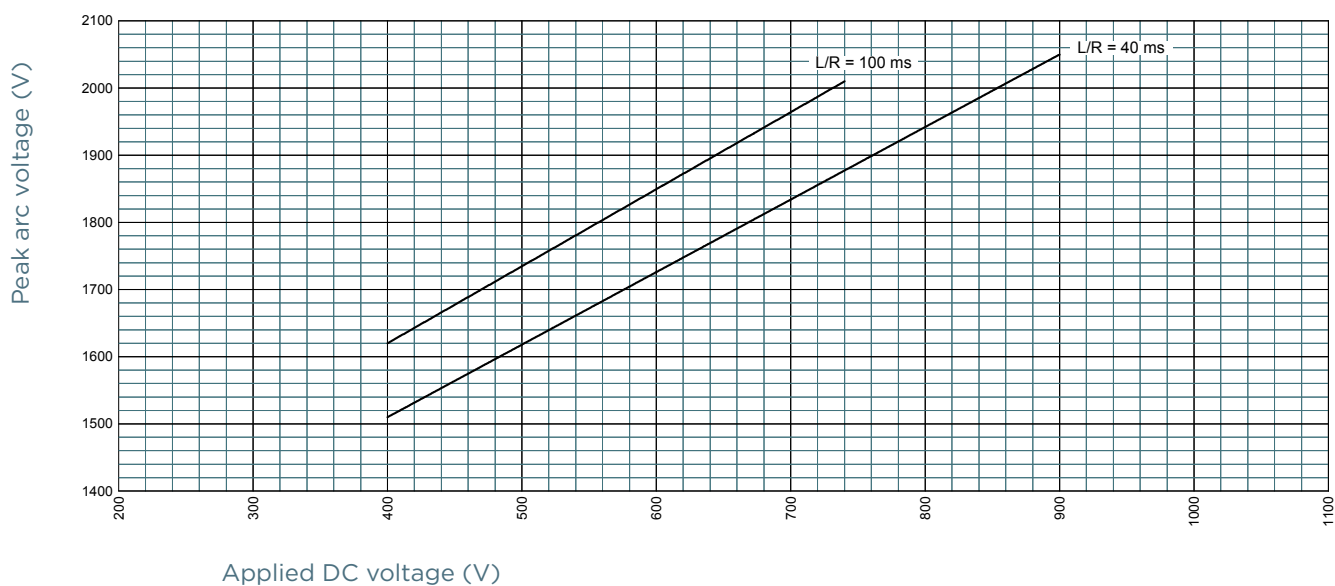
L/R TIME CONSTANT VS DC VOLTAGE CAPABILITY



POWER DISSIPATION



PEAK ARC VOLTAGE

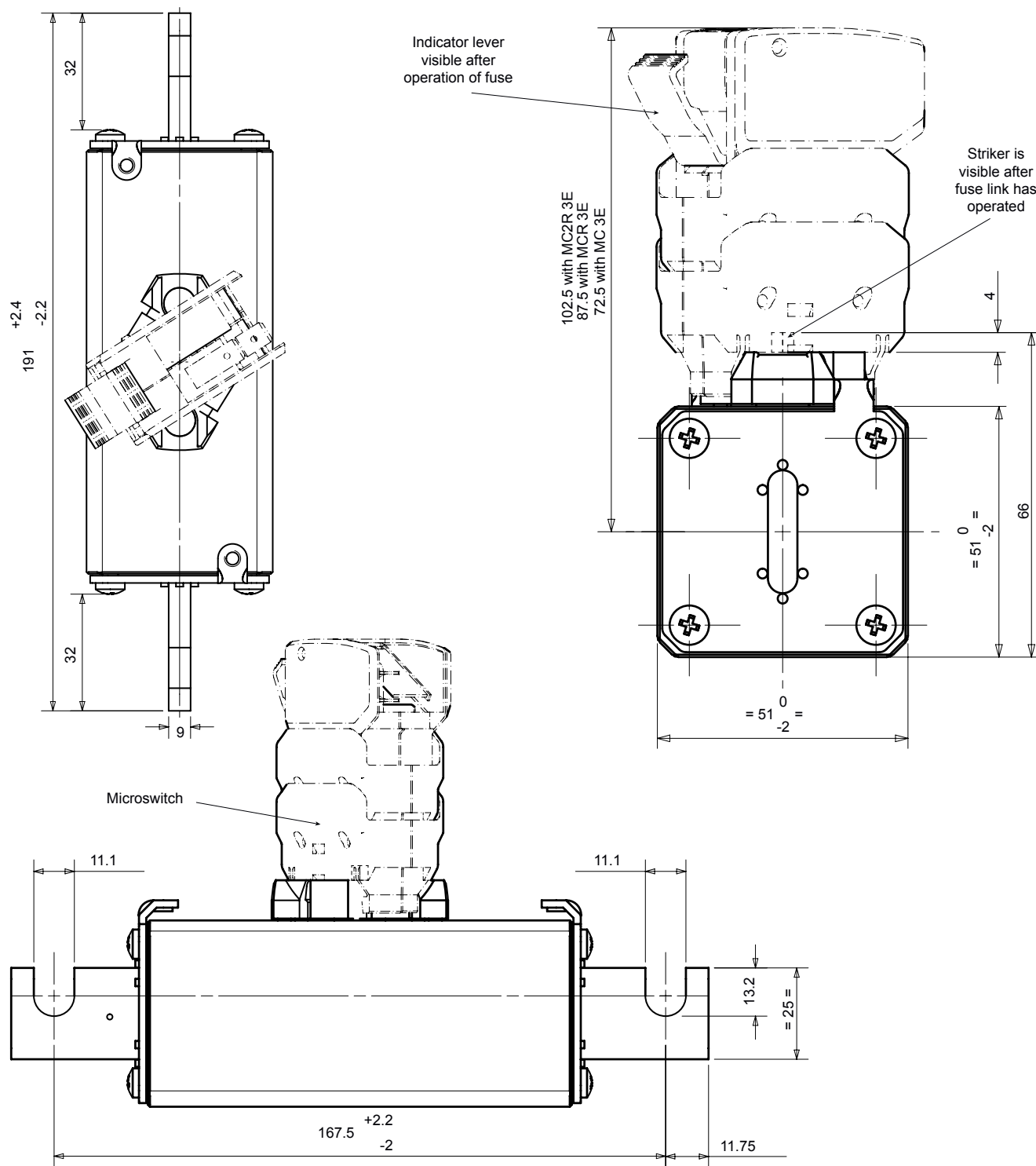


Protistor® size 121 gR

750VDC (IEC)

DIMENSIONS

Size 121 gR blade contacts (EF)



Dimensions in mm

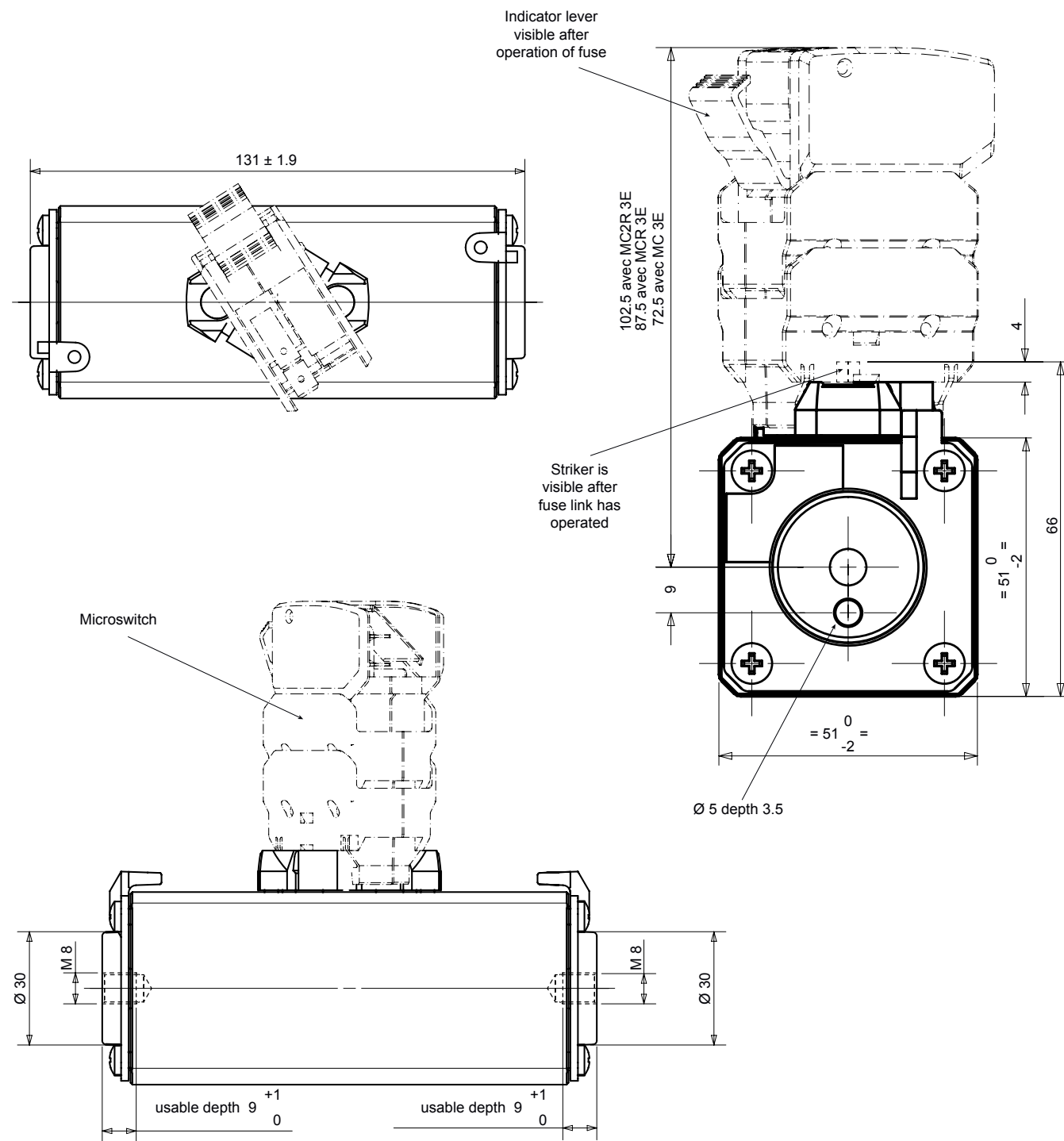
MERSEN reserves the right to change, update or correct, without notice, any information contained in this datasheet.

Protistor® size 121 gR

750VDC (IEC)

DIMENSIONS

Size 121 gR threads terminals (TTF)



Dimensions in mm

MERSEN reserves the right to change, update or correct, without notice, any information contained in this datasheet.