

Protistor® size 70 gR

690VAC (IEC)

SEMICONDUCTOR PROTECTION FUSES

SQUARE BODY HIGH-SPEED FUSE-LINKS AC PROTECTION



The 690V Protistor® fuse-links provide maximum flexibility in equipment design and ultimate protection for today’s power conversion equipment. These square body fuse-links are available in different body sizes, each size having multiple worldwide acceptable mounting styles.

The Protistor® gR have been engineered to provide full range protection to eliminate all overloads and short circuit fault. Each fuse is assembled with pure silver, die-cut elements embedded in solidified sand, which helps control arcing characteristics for a lower I^2t and high interrupting rating level. All contact surfaces are silver plated and all hardware is non-magnetic. All fuse-links can be equipped with a low voltage trip-indicator which can operate a field mountable microswitch.

TECHNICAL DATA OVERVIEW

Voltage AC	690 VAC
Ampere Range (A)	50 ... 350 A
Speed/Characteristic	gR
I.R. AC (IEC)	150 kA
Product Size	70

FEATURES & BENEFITS

- Excellent cycling capability
- Multiple body sizes and terminals or blades combination
- Extremely fast acting
- Eliminate all overloads
- Low I^2t for improved semiconductor protection
- gR Class according to IEC 60269-4 and VDE 636-23

APPLICATIONS

- Protection of inverters, motor drives, UPS systems and similar 690V or less equipment.

STANDARDS

- IEC 60269-4 Compliance



MERSEN reserves the right to change, update or correct, without notice, any information contained in this datasheet.

Protistor® size 70 gR

690VAC (IEC)

PRODUCT RANGE



PC70GB69V250TF

Size 70 type TTF-with one ISO metric threaded hole

Catalog number	Item number	Rated voltage AC (IEC)	Rated current I _n	Pre-arcing I ² t	Clearing I ² t at Rated Voltage	Rated breaking capacity AC	Power dissipation at I _n	Weight	Package
PC70GB69V50TF	C301279	690 V	50 A	118 A ² s	700 A ² s	150 kA	17 W	0.339 kg	3
PC70GB69V63TF	D301280	690 V	63 A	266 A ² s	1600 A ² s	150 kA	18 W	0.339 kg	3
PC70GB69V80TF	E301281	690 V	80 A	473 A ² s	2800 A ² s	150 kA	22 W	0.339 kg	3
PC70GB69V100TF	F301282	690 V	100 A	1058 A ² s	6200 A ² s	150 kA	23 W	0.339 kg	3
PC70GB69V125TF	G301283	690 V	125 A	1897 A ² s	11200 A ² s	150 kA	26 W	0.339 kg	3
PC70GB69V160TF	L301310	690 V	160 A	4232 A ² s	25000 A ² s	150 kA	29 W	0.339 kg	3
PC70GB69V200TF	M301311	690 V	200 A	7540 A ² s	44000 A ² s	150 kA	34 W	0.339 kg	3
PC70GB69V250TF	N301312	690 V	250 A	13450 A ² s	79000 A ² s	150 kA	40 W	0.339 kg	3
PC70GB69V315TF	P301313	690 V	315 A	24110 A ² s	142000 A ² s	150 kA	47 W	0.339 kg	3



PC70GB69V250ESF

Size 70 type EF for bolted connections

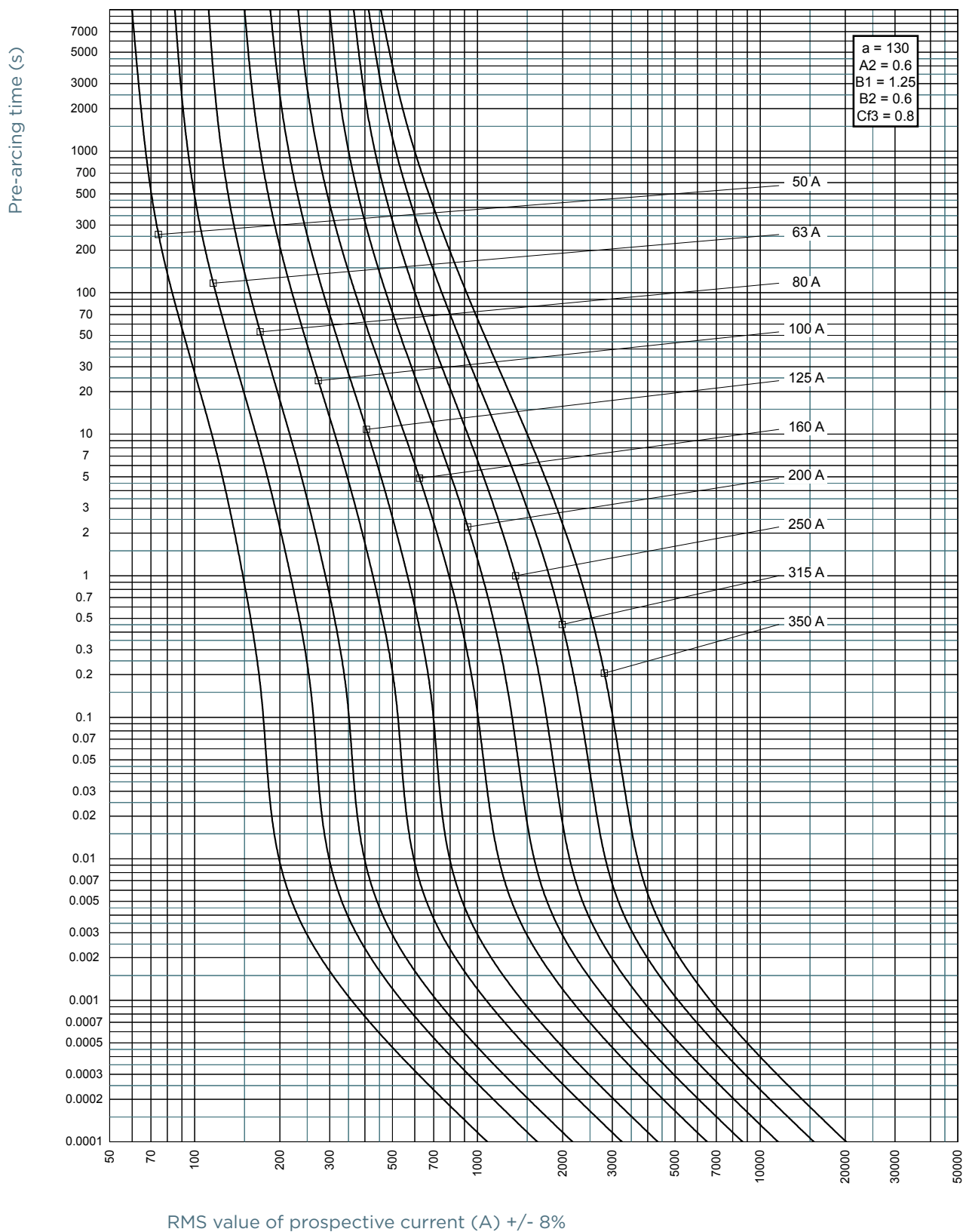
Catalog number	Item number	Rated voltage AC (IEC)	Rated current I _n	Pre-arcing I ² t	Clearing I ² t at Rated Voltage	Rated breaking capacity AC	Power dissipation at I _n	Weight	Package
PC70GB69V50ESF	P301290	690 V	50 A	118 A ² s	700 A ² s	150 kA	17 W	400 g	3
PC70GB69V63ESF	Q301291	690 V	63 A	266 A ² s	1600 A ² s	150 kA	18 W	400 g	3
PC70GB69V80ESF	E301304	690 V	80 A	473 A ² s	2800 A ² s	150 kA	22 W	400 g	3
PC70GB69V100ESF	S301293	690 V	100 A	1058 A ² s	6200 A ² s	150 kA	23 W	0.4 kg	3
PC70GB69V125ESF	F301305	690 V	125 A	1897 A ² s	11200 A ² s	150 kA	26 W	0.4 kg	3
PC70GB69V160ESF	G301306	690 V	160 A	4232 A ² s	25000 A ² s	150 kA	29 W	0.4 kg	3
PC70GB69V200ESF	H301307	690 V	200 A	7540 A ² s	44000 A ² s	150 kA	34 W	0.4 kg	3
PC70GB69V250ESF	J301308	690 V	250 A	13448 A ² s	79000 A ² s	150 kA	40 W	400 g	3

Size 70 type DIN10

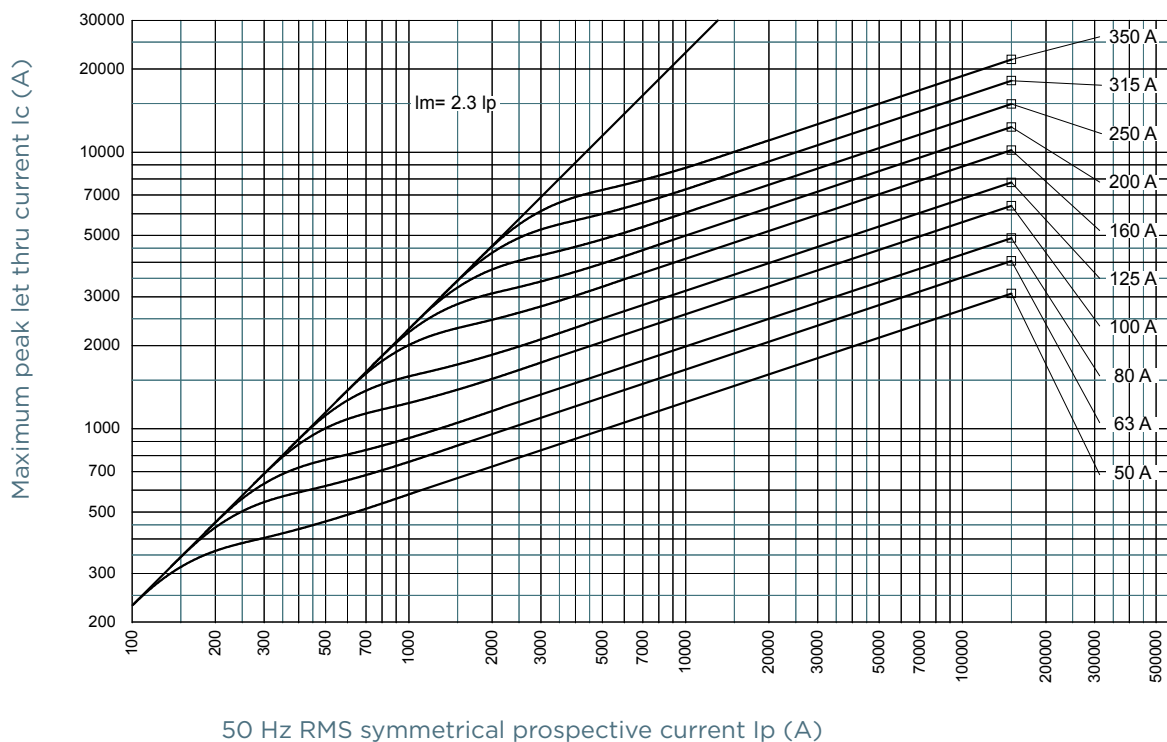
Catalog number	Item number	Rated voltage AC (IEC)	Rated current I _n	Pre-arcing I ² t	Clearing I ² t at Rated Voltage	Rated breaking capacity AC	Power dissipation at I _n	Weight	Package
PC70GB69V100D1A	Q302027	690 V	100 A	1058 A ² s	6200 A ² s	150 kA	23 W	0.3633 kg	3
PC70GB69V125D1A	S302742	690 V	125 A	1897 A ² s	11200 A ² s	150 kA	26 W	365 g	3
PC70GB69V160D1A	R301591	690 V	160 A	4232 A ² s	25000 A ² s	150 kA	29 W	0.3633 kg	3
PC70GB69V200D1A	S301592	690 V	200 A	7540 A ² s	44000 A ² s	150 kA	34 W	0.3633 kg	3
PC70GB69V250D1A	Z301943	690 V	250 A	13448 A ² s	79000 A ² s	150 kA	40 W	0.3633 kg	3
PC70GB69V315D1A	J301584	690 V	315 A	24112 A ² s	142000 A ² s	150 kA	47 W	0.3633 kg	3
PC70GB69V350D1A	W302124	690 V	350 A	40780 A ² s	240000 A ² s	150 kA	47 W	365 g	3

MERSEN reserves the right to change, update or correct, without notice, any information contained in this datasheet.

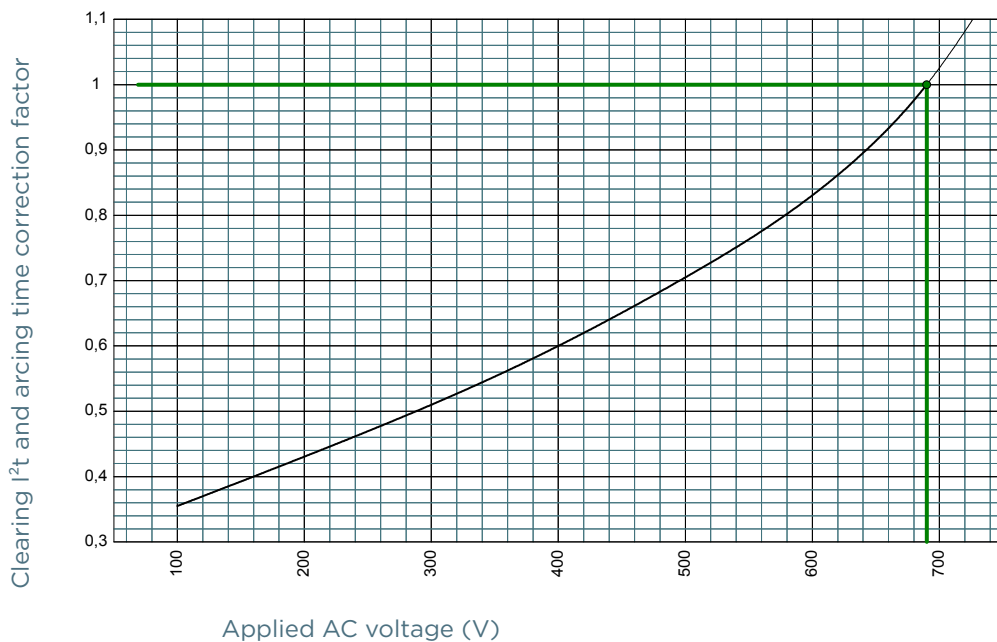
TIME CURRENT CHARACTERISTIC CURVES



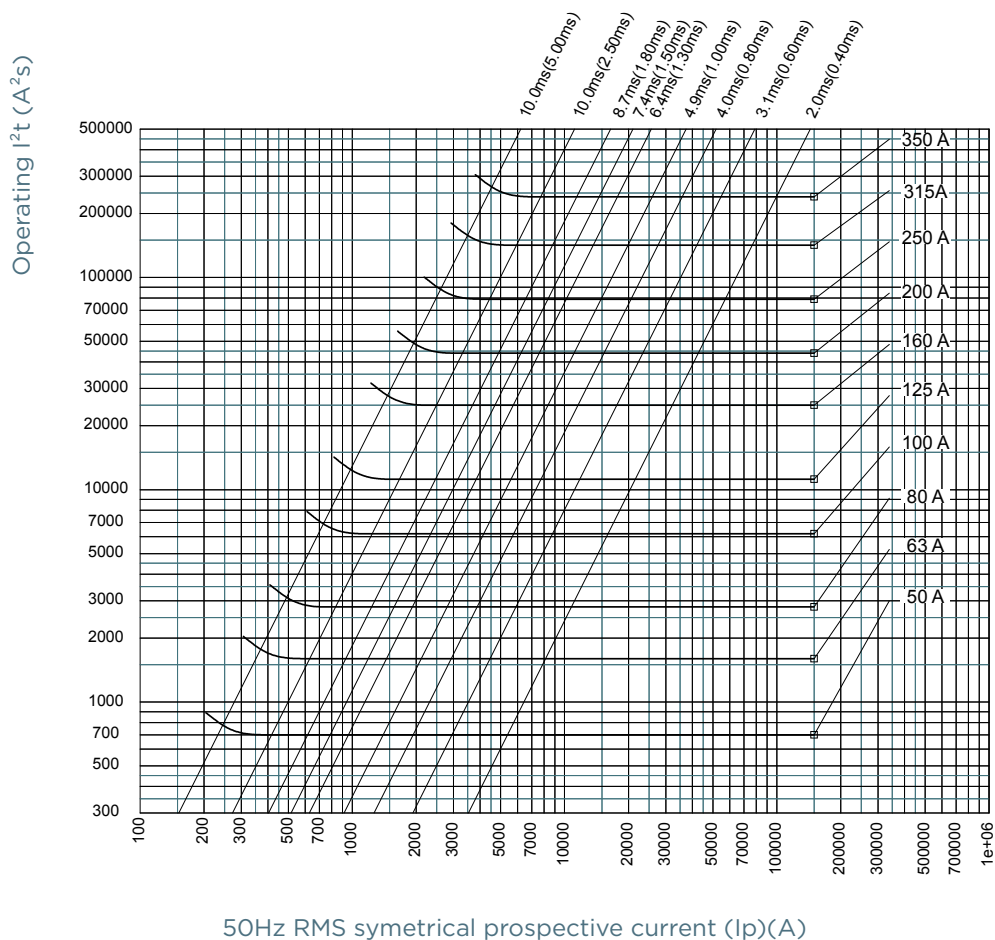
CUT-OFF CURRENT CHARACTERISTIC



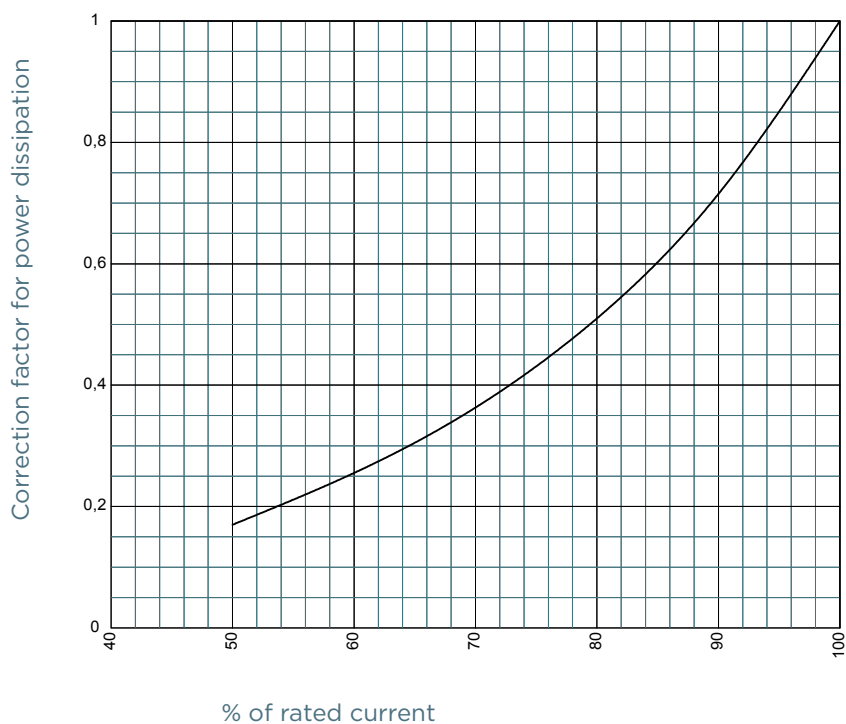
I²T MULTIPLIER COEFFICIENT



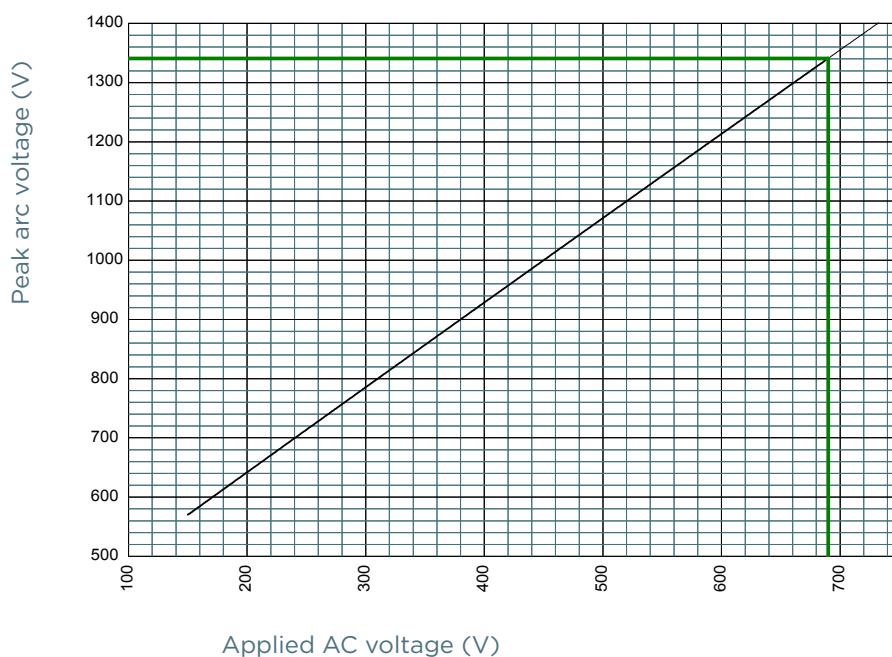
CHARACTERISTICS TOTAL I²T CURVE



POWER DISSIPATION



PEAK ARC VOLTAGE

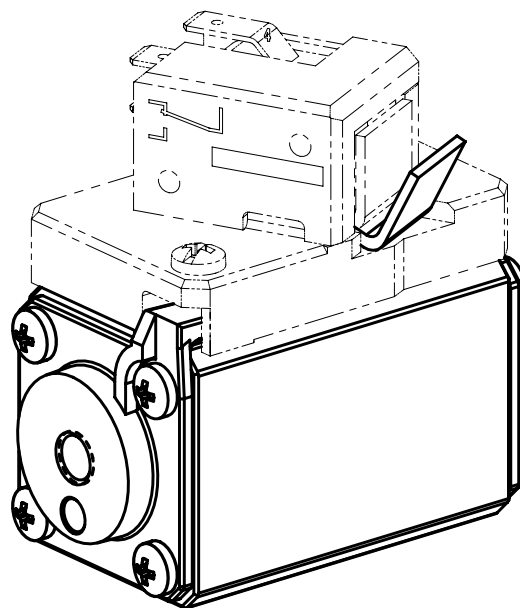
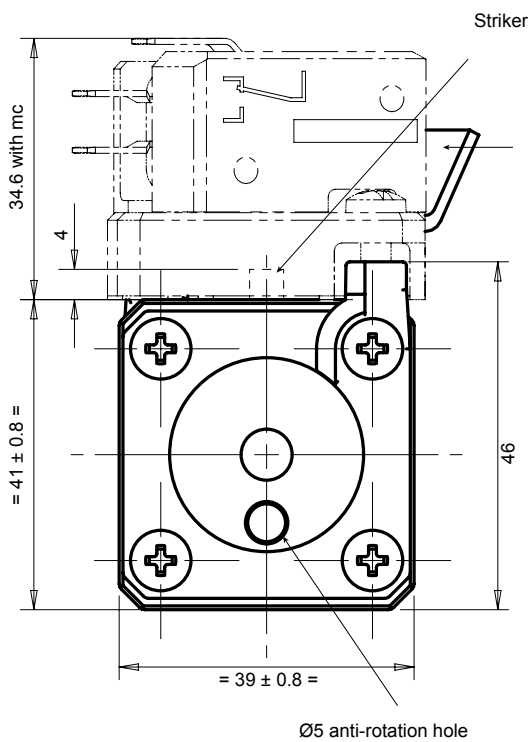
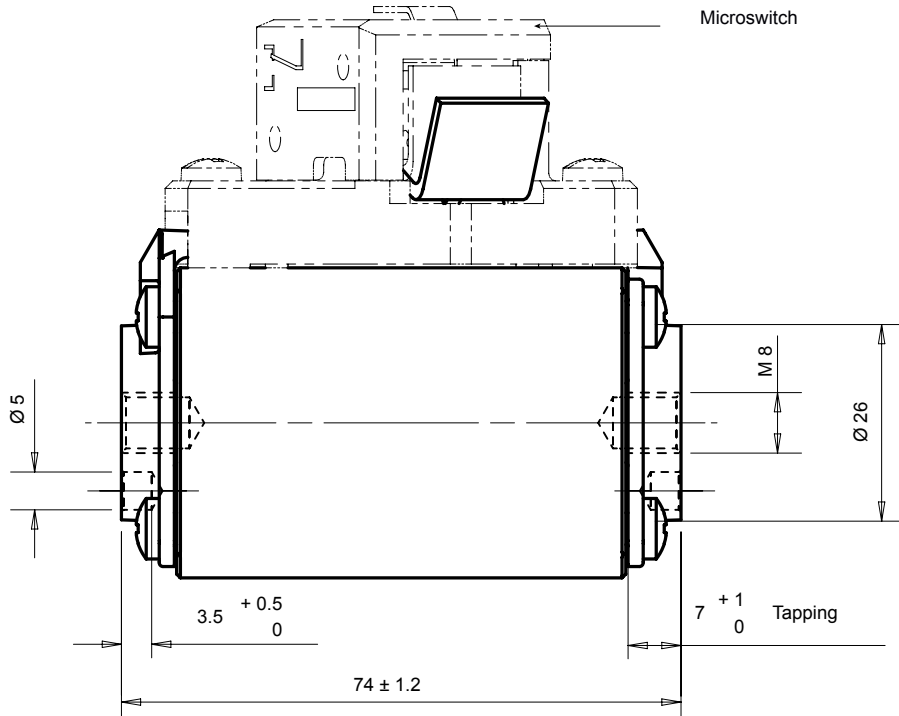


Protistor® size 70 gR

690VAC (IEC)

DIMENSIONS

Size 70 gR TTF



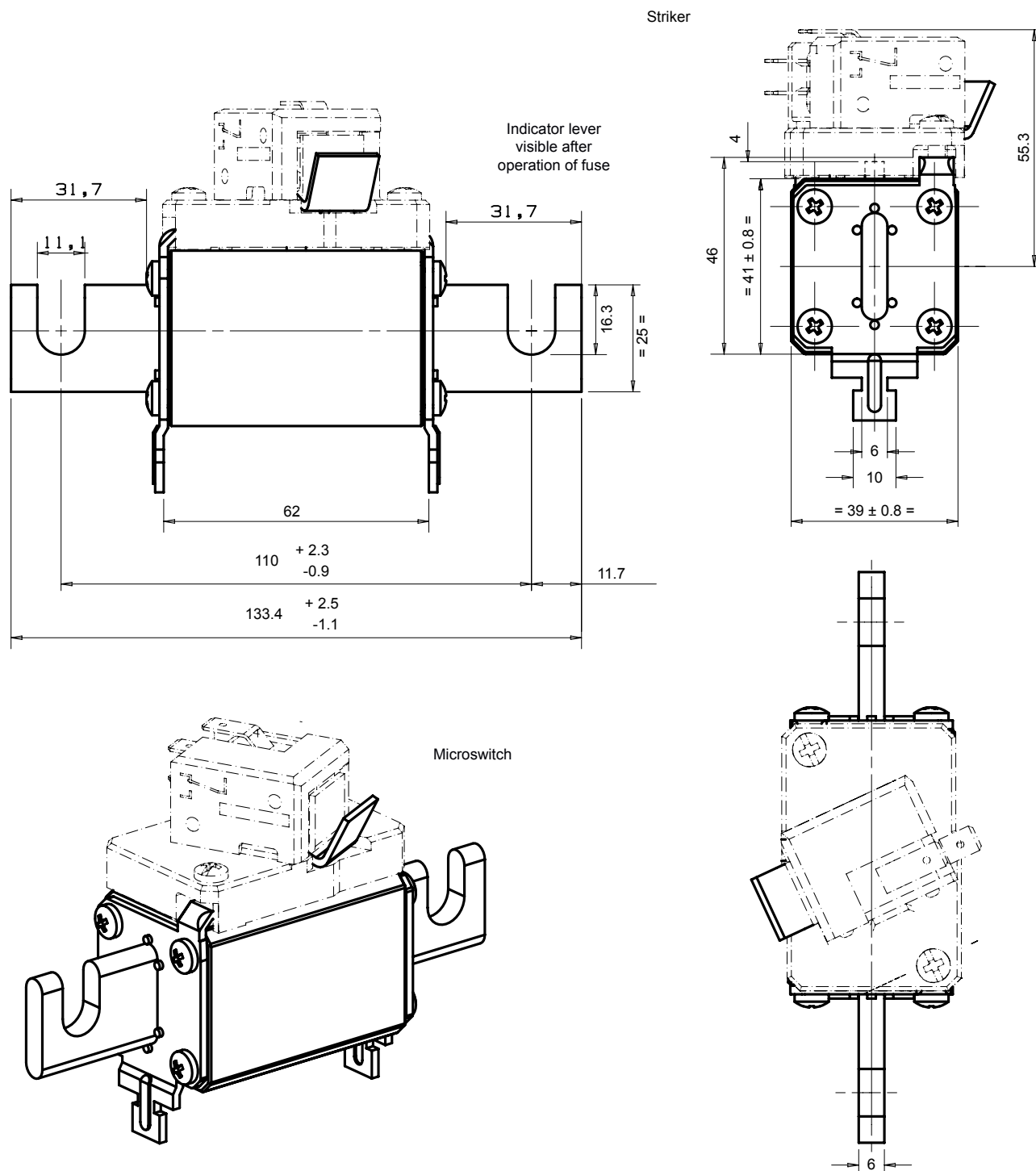
Dimensions in mm

Protistor® size 70 gR

690VAC (IEC)

DIMENSIONS

Size 70 gR type EF for bolted connections



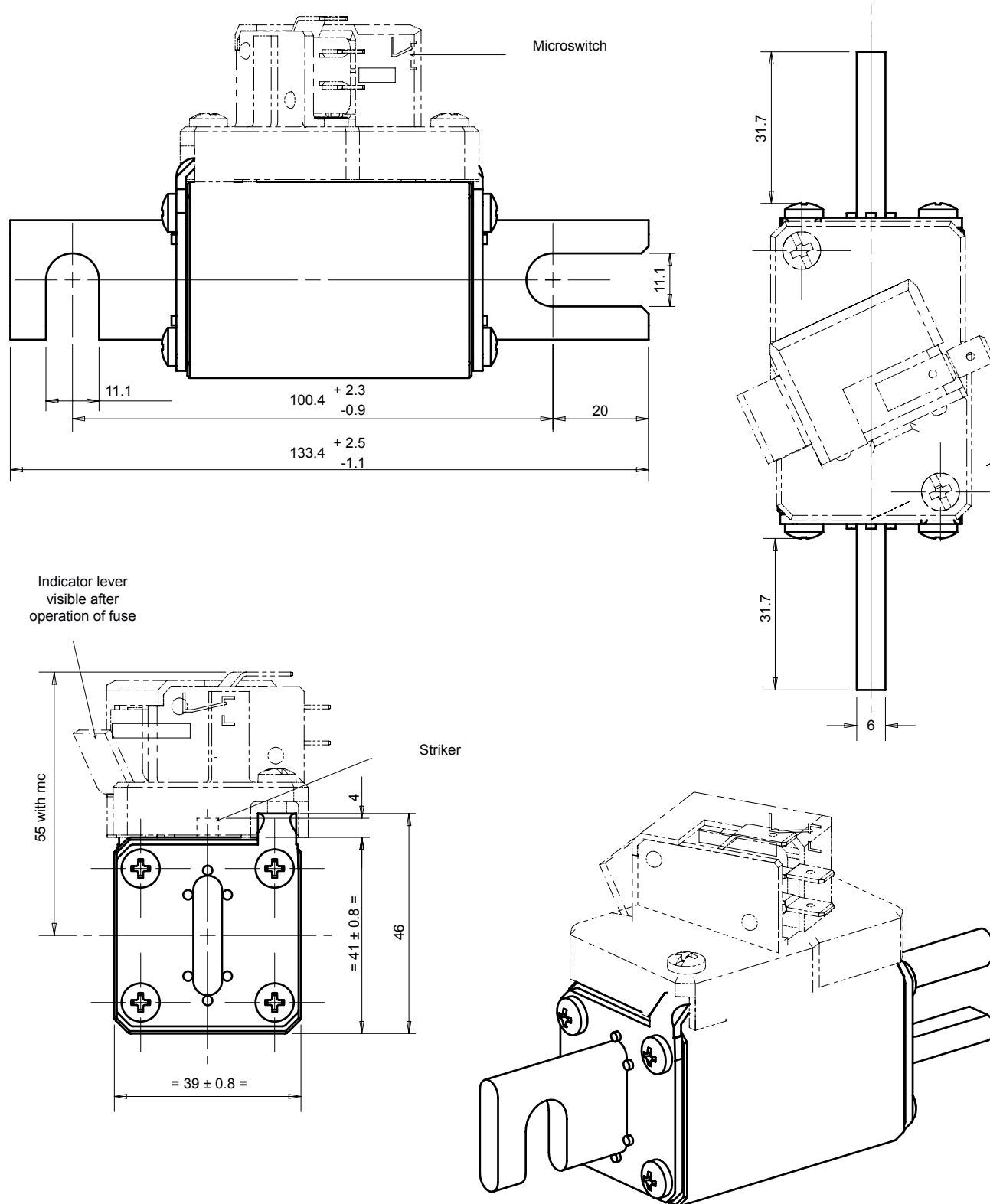
Dimensions in mm

Protistor® size 70 gR

690VAC (IEC)

DIMENSIONS

Size 70 gR DIN 110



Dimensions in mm

MERSEN reserves the right to change, update or correct, without notice, any information contained in this datasheet.