

# MULTIBLOC® 4a.ST8

Size 4a, 400VAC, 1250A, Design for Bottom Fitting, 1-, 3-pole

## IEC FUSE SWITCH DISCONNECTORS

## NH FUSE SWITCH DISCONNECTOR



The production programme of MULTIBLOC® series 4a.ST8 - 1250 A comprises NH fuse switch disconnectors for 1250A.

They are designed for bottom fitting/panel installation and are available in single pole and triple pole units.

MULTIBLOC® size 4a are designed for NH fuse-links in accordance with IEC/EN 60269-2, VDE 0636-2, size 4a, 1250A.

MULTIBLOC® offers the user the possibility of fast and easy installation as well as a high degree of security during installation and maintenance.

## TECHNICAL DATA OVERVIEW

Voltage AC	400 VAC
Amper (A)	1250 A
Size per Standard	4a
Mounting	bottom fitting/panel
Switchability	1-,3-pole switching

## FEATURES & BENEFITS

- Touch protection IP 20
- Safe on load connection/disconnection in accordance with IEC 60947-3

## APPLICATIONS

- Panel boards for industrial use
- Feeder pillars for industrial use
- Meter distribution units
- Measuring transformer cabinets
- Transmitting stations for telecommunications

## STANDARDS

- IEC/EN 60 947-3  
For NH-fuse links size 4a in accordance with IEC/EN 60 269-2, VDE 0636-2



# MULTIBLOC® 4a.ST8

Size 4a, 400VAC, 1250A, Design for Bottom Fitting, 1-, 3-pole

## PRODUCT RANGE



1.000.083

### MULTIBLOC® 4a.ST8 size 4a 1250A, 400VAC bottom fitting, single pole

Catalog number	Item number	Poles	Cable termination components	Package	Weight
1.000.083	T1023080	1	M16 terminal screws	1 piece	4.1 kg



1.000.089

### MULTIBLOC® 4a.ST8 size 4a 1250A, 400VAC bottom fitting, triple pole

Catalog number	Item number	Poles	Cable termination components	Design	Package	Weight
1.000.089	V1023081	3	M16 terminal screws	single pole switching	1 piece	12.5 kg
1.000.090	W1023082	3	M16 terminal screws	triple pole switching	1 piece	12.5 kg



1.000.090

## TECHNICAL DATA IN ACCORDANCE WITH EN / IEC 60947

	4a.ST8 single pole	4a.ST8 triple pole
Number of poles/phases	1	3
Size	4a	4a
Conventional free air thermal current with NH-fuse links $I_{th}$	1250 A	1250 A
Max. power dissipation of fuse links $P_n$	115 W	115 W
Conventional free air thermal current with solid links $I_{th}$	1500 A	1500 A
Max. power dissipation of solid links $P_n$	42 W	42 W
Utilization category to IEC/EN 60947-3 $U_e = AC 400 V; I_e = 1250 A$ $U_e = DC 1000 V; I_e = 1250 A$ (with solid links)	AC 22 B DC 20 B	AC 22 B DC 20 B
Rated operational voltage $U_e$	400 V	400 V
Rated insulation voltage $U_i$	800 V	800 V
Rated impulse withstand voltage $U_{imp}$	8 kV	8 kV
Rated frequency	50 ... 60 Hz	50 ... 60 Hz
Degree of protection	IP 20	IP 20
Degree of pollution	3	3
Rated duty	uninterrupted duty	uninterrupted duty
Rated conditional short-circuit current with fuse links $U_e = AC 400 V; I_e = 1250 A$	50 kA	50 kA
Rated short circuit making capacity with solid links $I_{cm}$	100 kA <sub>sw</sub>	100 kA <sub>sw</sub>
Rated short-time withstand current $I_{cw}$	50 kA / 1 s	50 kA / 1 s
Power dissipation by $I_{th}$ without NH-fuse links	55 W	180 W
Power dissipation by $I_{th}$ without solid links	55 W	180 W
Installation mode	bottom fitting	bottom fitting
<b>Cable terminal connection</b>		
Standard cable terminal	M16	M16
for copper bars with max. dimensions	50 x 10 mm	50 x 10 mm

MERSEN reserves the right to change, update or correct, without notice, any information contained in this datasheet.

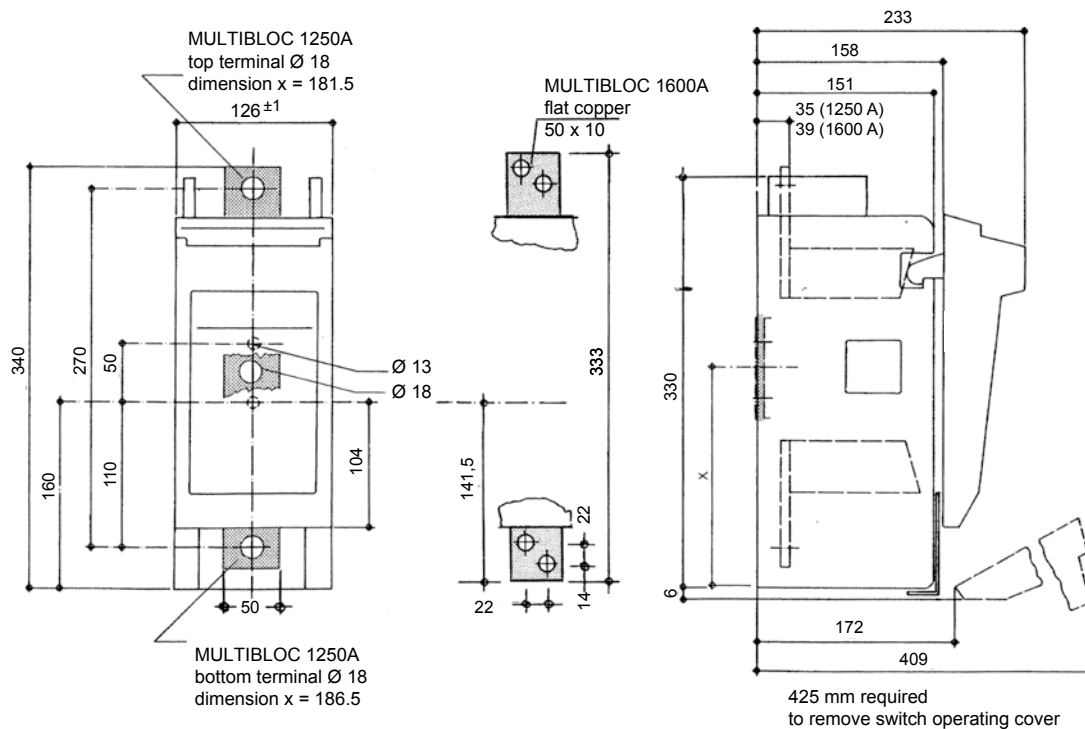
# MULTIBLOC® 4a.ST8

Size 4a, 400VAC, 1250A, Design for Bottom Fitting, 1-, 3-pole

## DIMENSIONS

**MULTIBLOC® 4a.ST8 NH-fuse switch disconnecter**  
**single pole design for bottom fitting**

(M02002)



Dimensions in mm

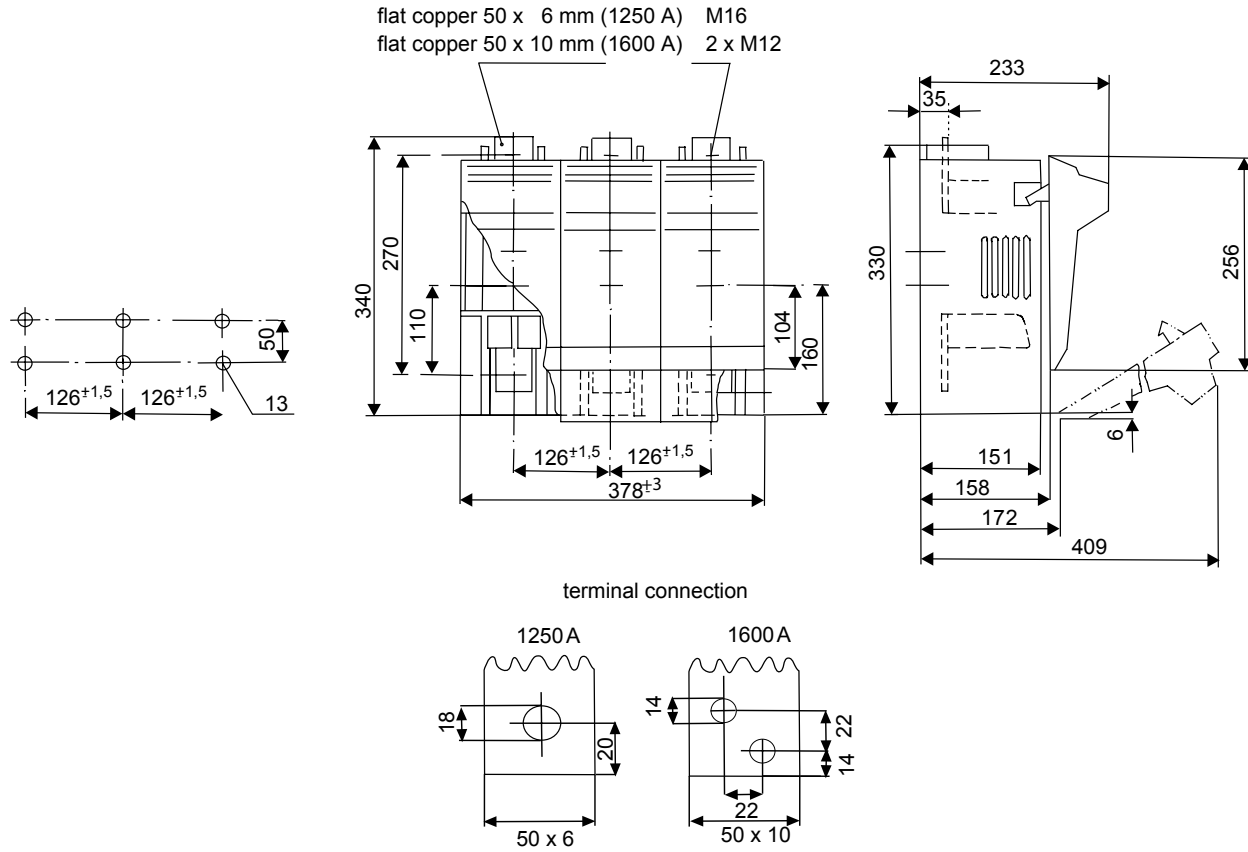
# MULTIBLOC® 4a.ST8

Size 4a, 400VAC, 1250A, Design for Bottom Fitting, 1-, 3-pole

## DIMENSIONS

**MULTIBLOC® 4a.ST8 NH-fuse switch disconnecter**  
**triple pole design for bottom fitting**

(M02003a)



Dimensions in mm