

Protistor® size 72 aR

1200VDC (IEC)

SEMICONDUCTOR PROTECTION FUSES

SQUARE BODY HIGH-SPEED FUSE-LINKS DC PROTECTION



Mersen DC offers provide a very high performant protection for railway power and auxiliary circuits. Mersen DC Semiconductor fuse-links were developed to provide improved performance required by today's new DC equipment. These fuse-links are typically operated at more elevated temperature than other fuse type, have lower I^2t to minimize damage to protected components on short circuits, lower watt loss and longer life.

TECHNICAL DATA OVERVIEW

Voltage DC	1200 VDC
Ampere Range (A)	160 ... 420 A
Speed/Characteristic	aR
Product Size	72
Package	1
Weight	1.15 kg

FEATURES & BENEFITS

- Extremely fast acting
- Excellent cycling capability
- Very low I^2t
- Worldwide acceptability
- Current Limiting
- Superior Cycling Ability

APPLICATIONS

- Protection of inverters
- Protection of motor drives
- Protection of UPS systems
- Railway power and auxiliary circuits
- ESS Battery Rack protection up to 1500VDC

STANDARDS

- IEC 60269-1 and IEC 60269-4 Compliance
- DC UL recognized component
UL file E76491
 - 160A-420A, @1200VDC, L/R
10ms, 100KA
 - 160A-420A, @1500VDC, L/R
1-3ms, 100KA
- GB/T 13539.4-2016



Protistor® size 72 aR

1200VDC (IEC)

PRODUCT RANGE

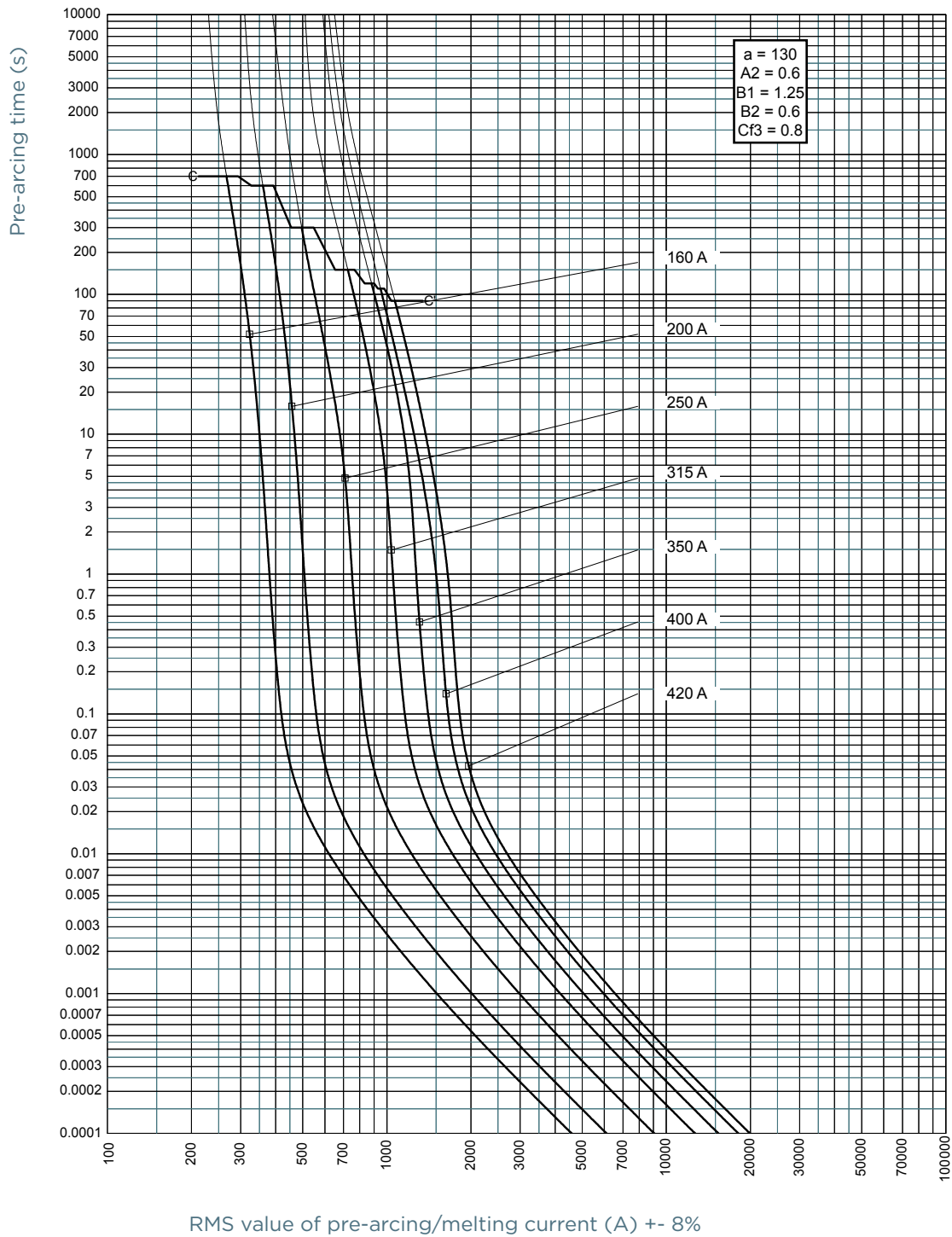


D72SG120V315QF

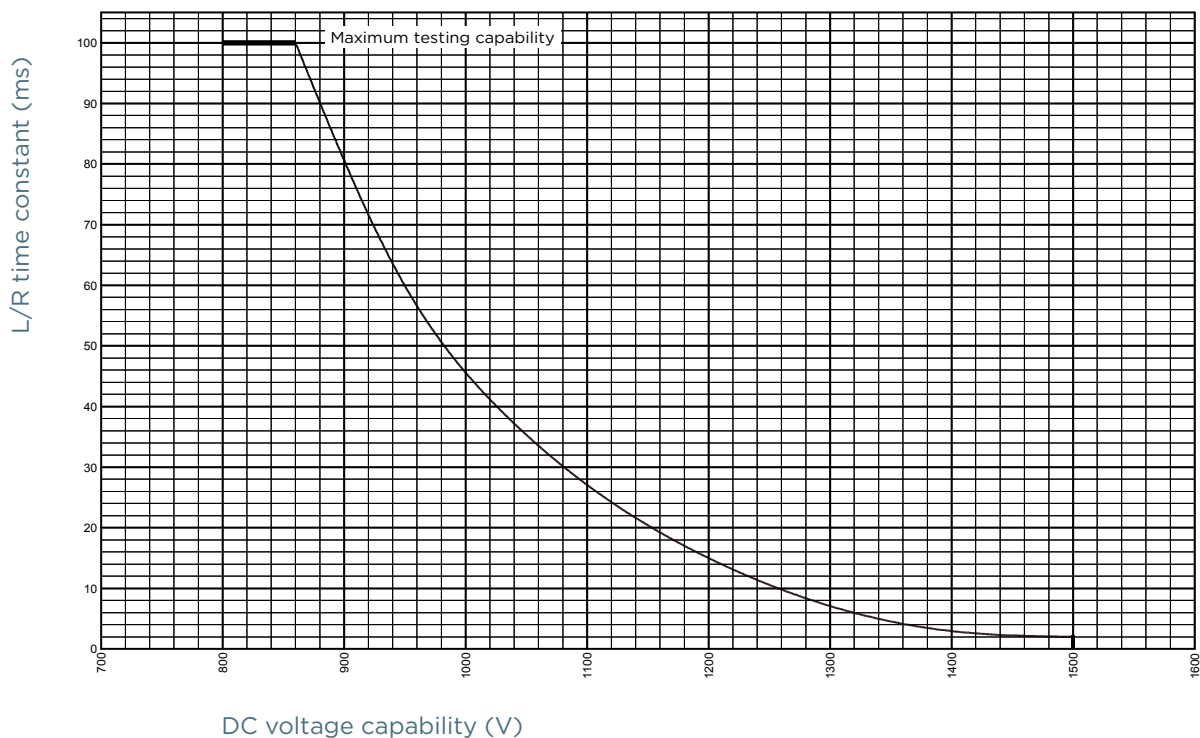
Size 72 aR 1200VDC(IEC), with striker

Catalog number	Item number	Rated voltage DC (IEC)	Rated current I_n	Rated breaking capacity DC	Max. total I^2t @1000V for L/R=15ms	Max. total I^2t @1000V for L/R=45ms	Power dissipation at I_n	Power dissipation at 0.8 I_n
D72SG120V160QF	K079428	1200 V	160 A	100 kA	12 kA ² s	20 kA ² s	77.5 W	41 W
D72SG120V200QF	L079429	1200 V	200 A	100 kA	21 kA ² s	36 kA ² s	88 W	48 W
D72SG120V250QF	M079430	1200 V	250 A	100 kA	45.5 kA ² s	78.5 kA ² s	96 W	57 W
D72SG120V315QF	N079431	1200 V	315 A	100 kA	90 kA ² s	154 kA ² s	110 W	60 W
D72SG120V350QF	Q085574	1200 V	350 A	100 kA	131 kA ² s	227 kA ² s	118 W	63 W
D72SG120V400QF	P079432	1200 V	400 A	100 kA	182 kA ² s	314 kA ² s	129 W	66 W
D72SG120V420QF	Q079433	1200 V	420 A	100 kA	220 kA ² s	380 kA ² s	131 W	67 W

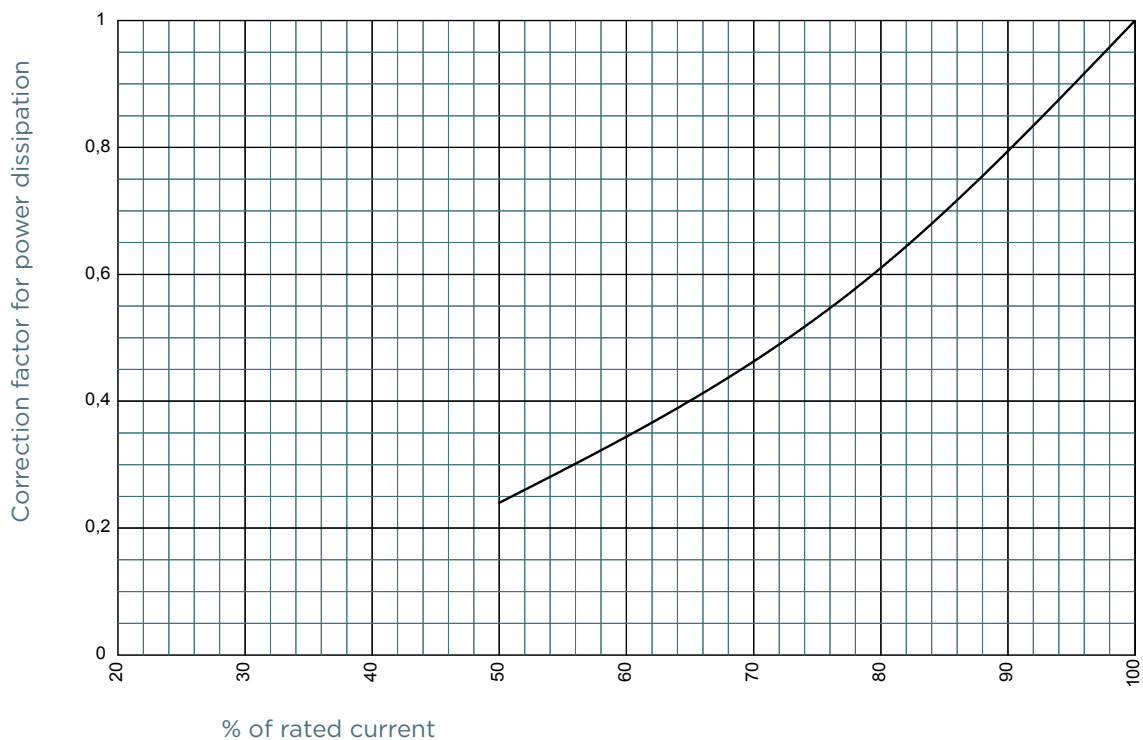
TIME CURRENT CHARACTERISTIC CURVES



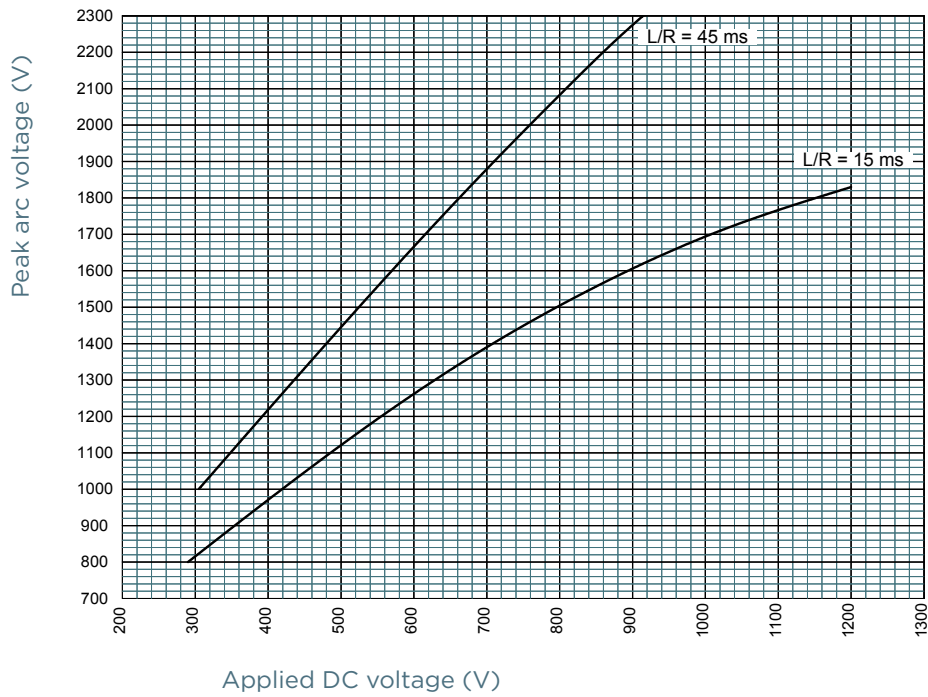
L/R TIME CONSTANT VS DC VOLTAGE CAPABILITY



POWER DISSIPATION



PEAK ARC VOLTAGE

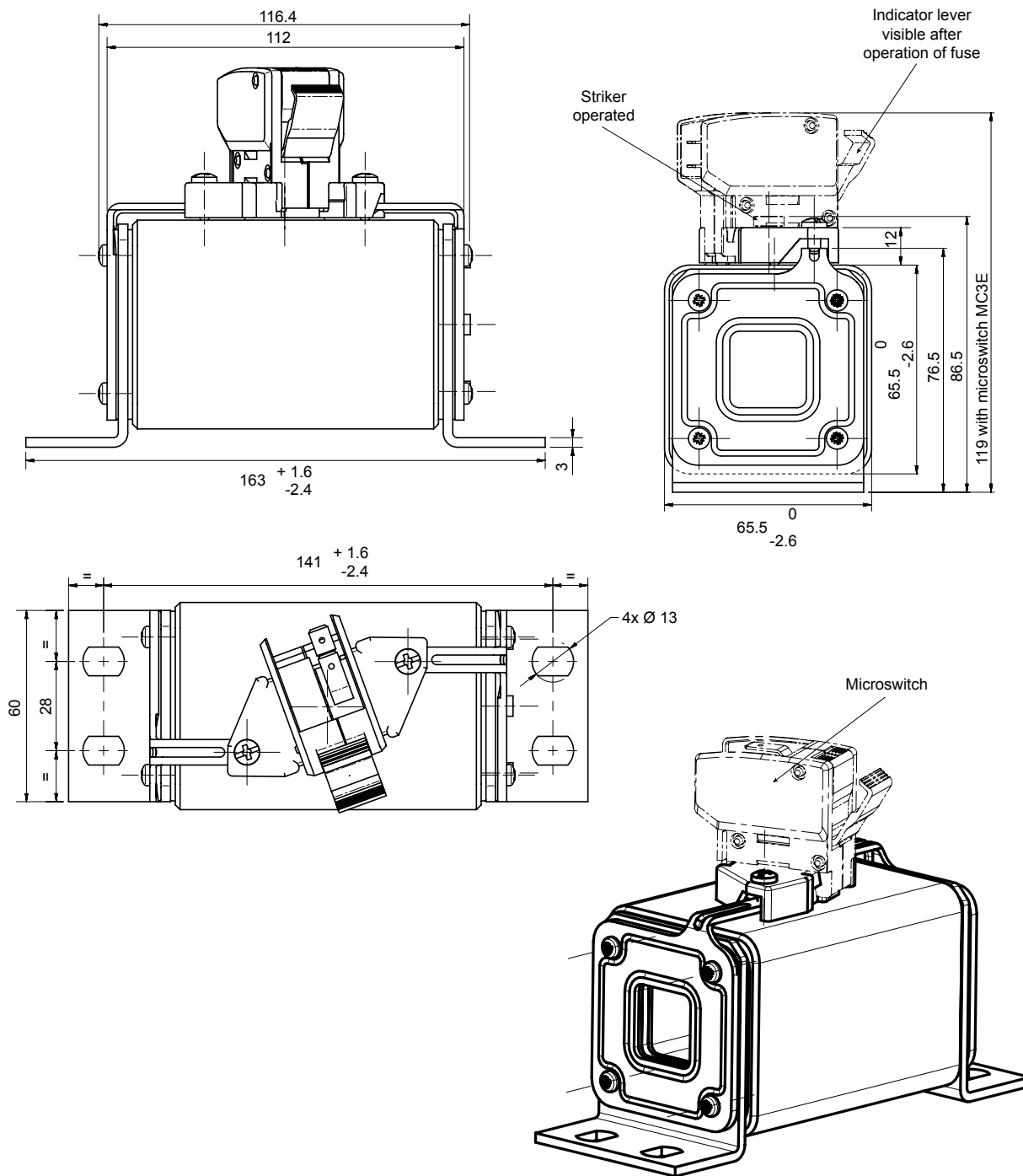


Protistor® size 72 aR

1200VDC (IEC)

DIMENSIONS

Size 72 aR 1200VDC(IEC), with striker



Dimensions in mm