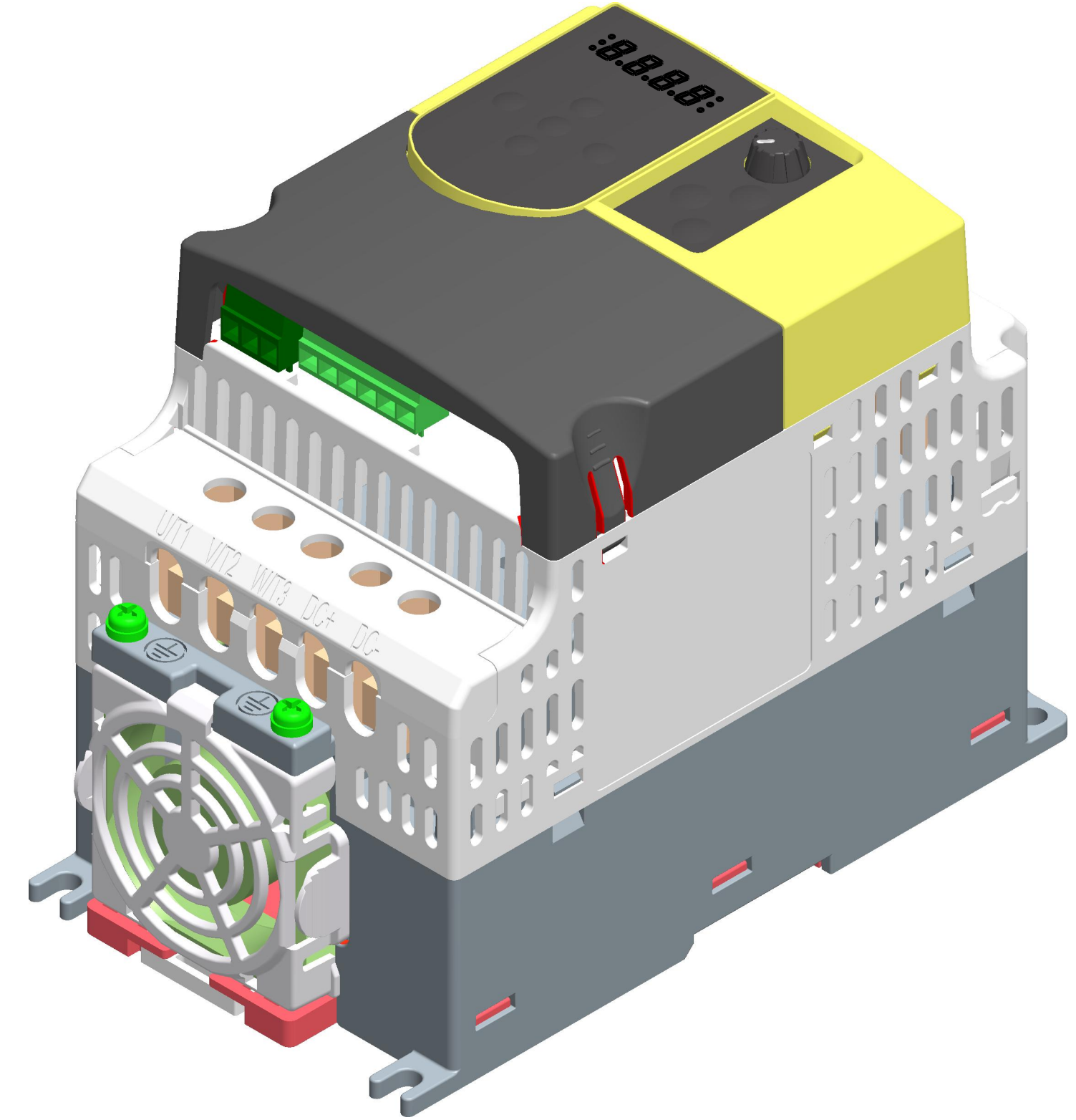
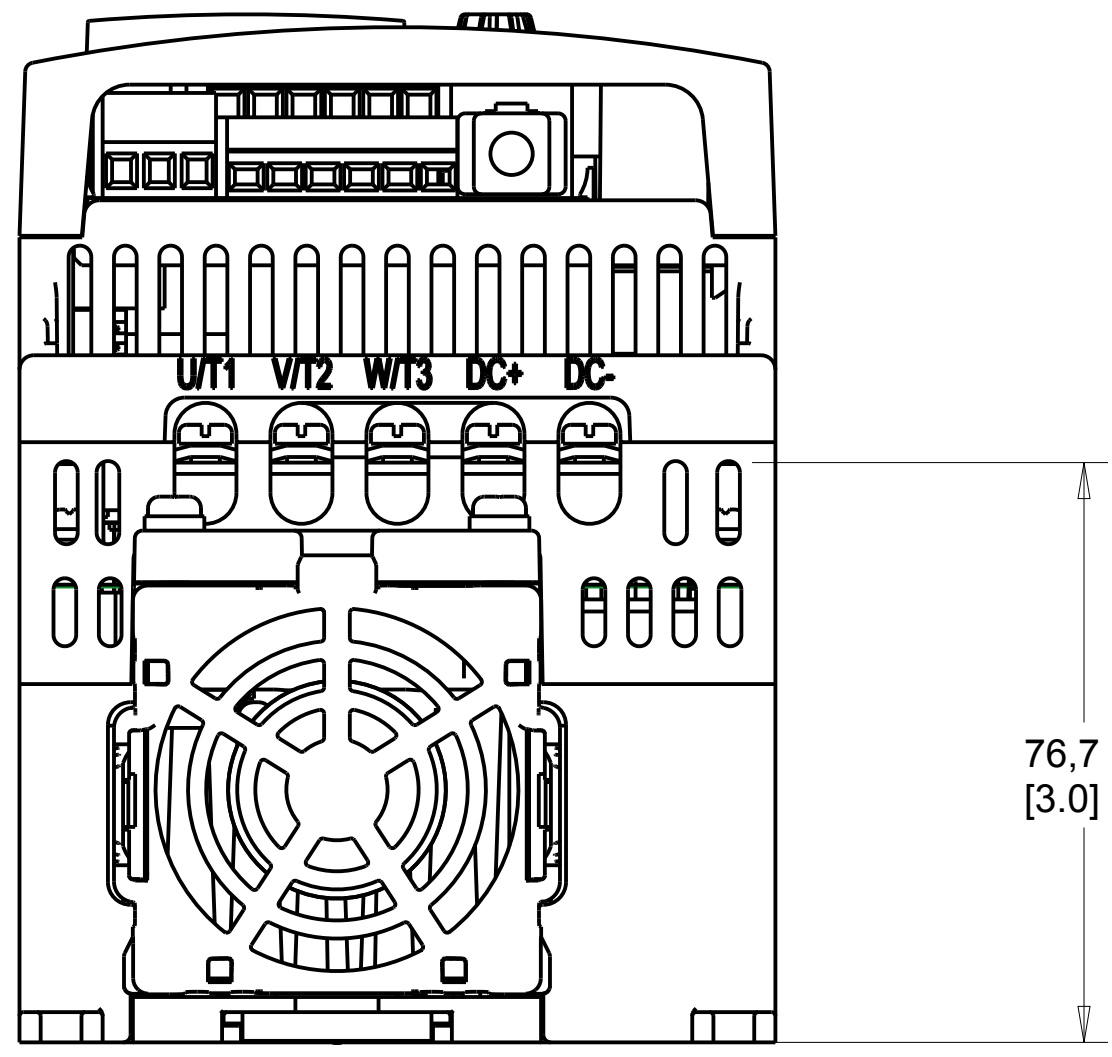
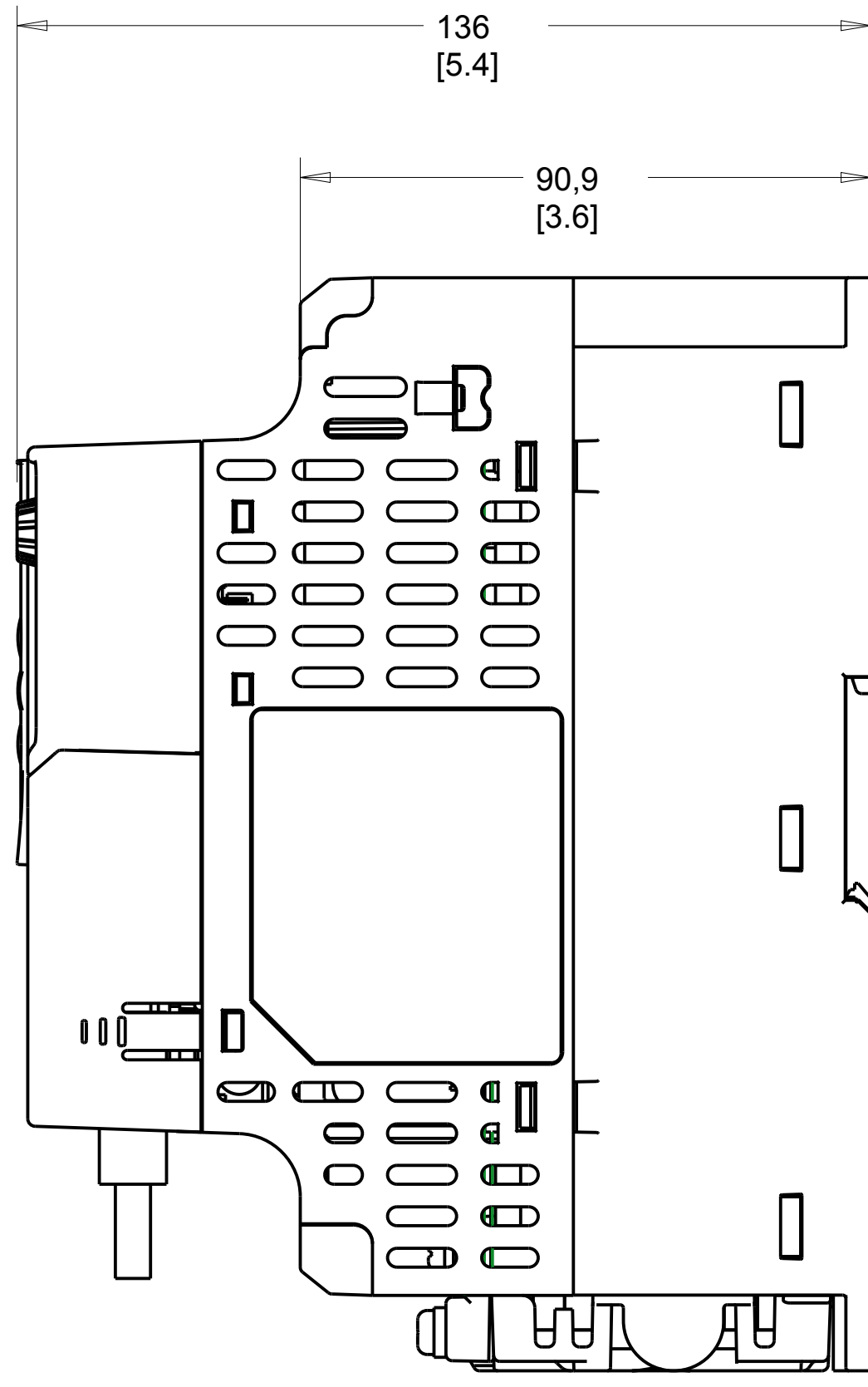
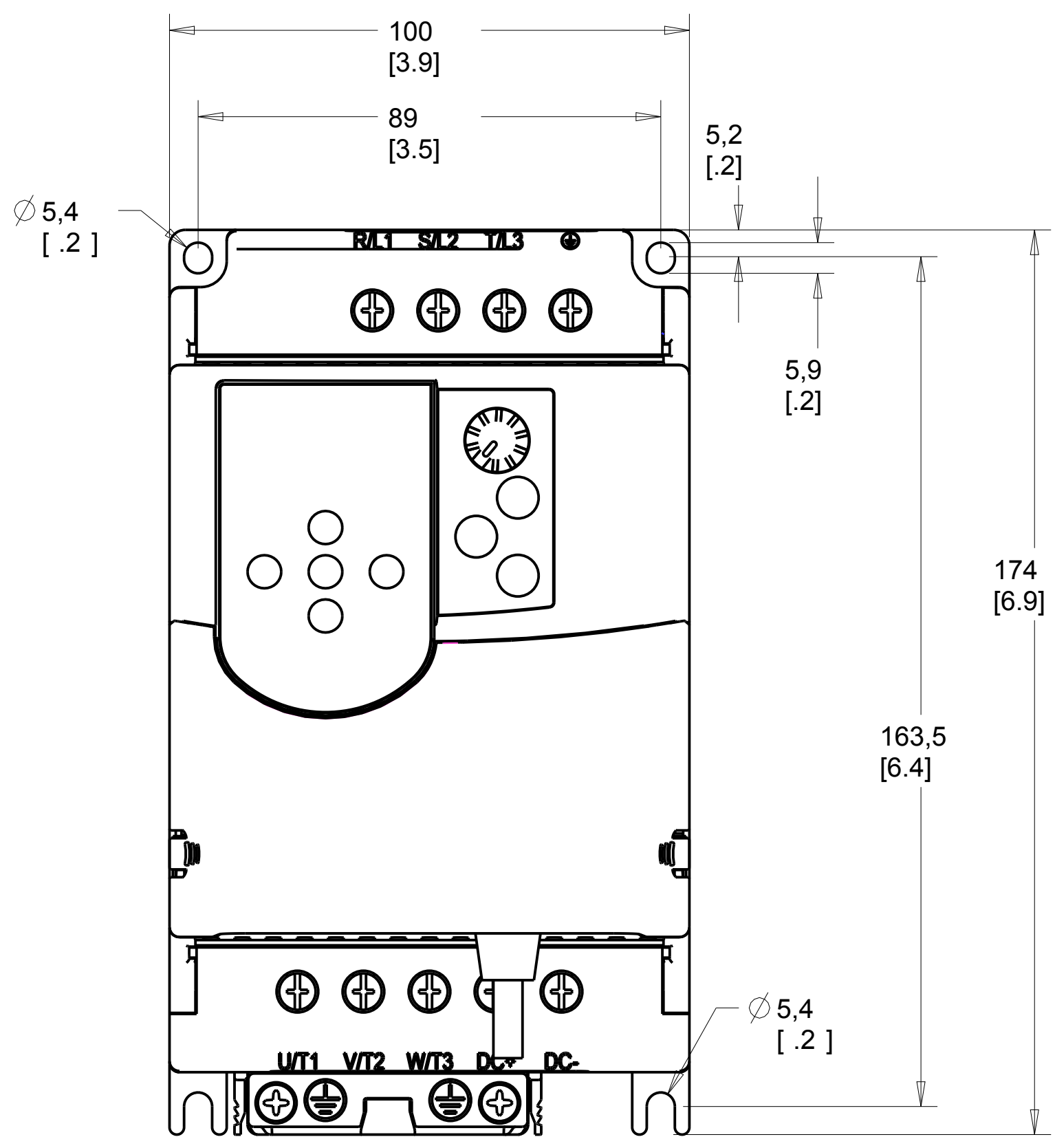


1 2 3 4 5 6 7 8

A
B
C
D
E
F
G
H



Rockwell Automation PF4M, FRAME B OUTLINE DRAWING		CONFIDENTIAL AND PROPRIETARY INFORMATION THIS DOCUMENT CONTAINS CONFIDENTIAL AND PROPRIETARY INFORMATION OF ROCKWELL AUTOMATION, INC. AND MAY NOT BE USED, COPIED OR DISCLOSED TO OTHERS, EXCEPT WITH THE AUTHORIZED WRITTEN PERMISSION OF ROCKWELL AUTOMATION, INC.	
		Sheet 1 Of 1	Ver 00
Drawn by: IGUREV11	Date: 06-27-11	D	10000192743