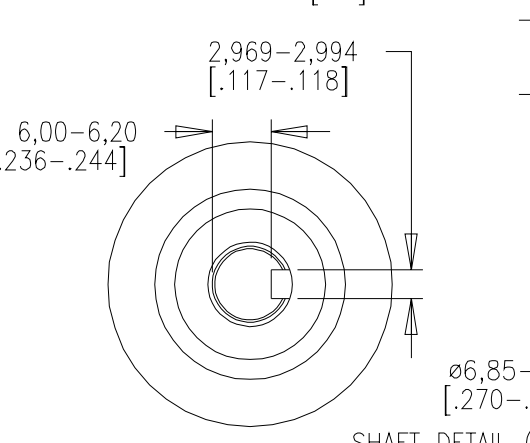
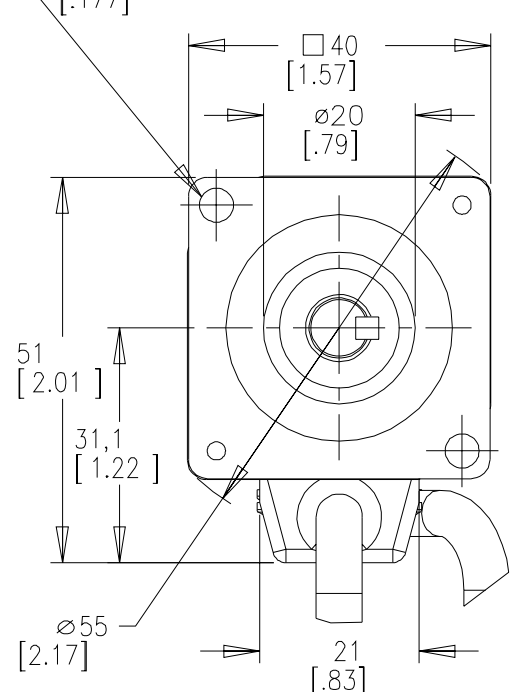
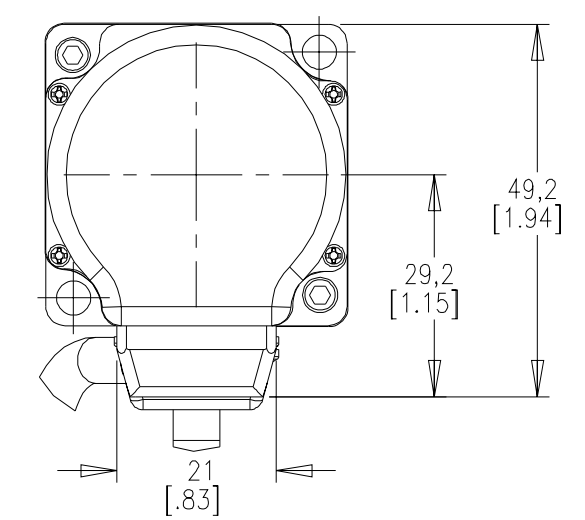
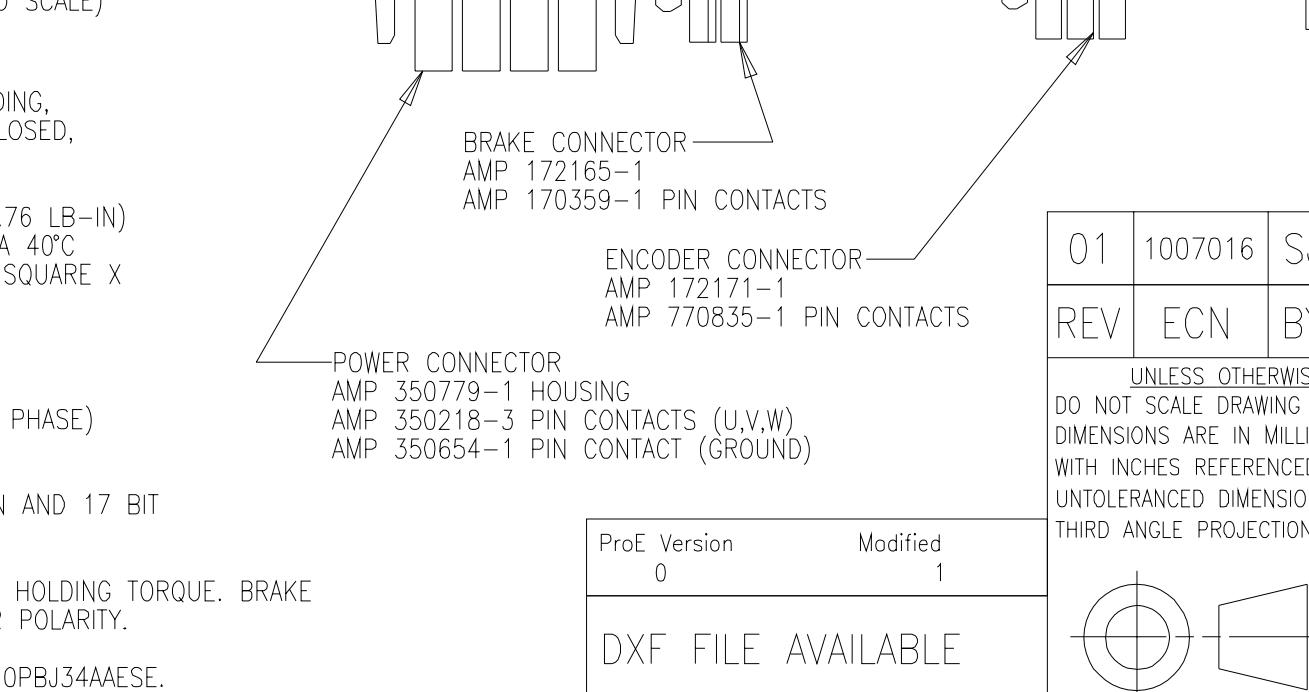
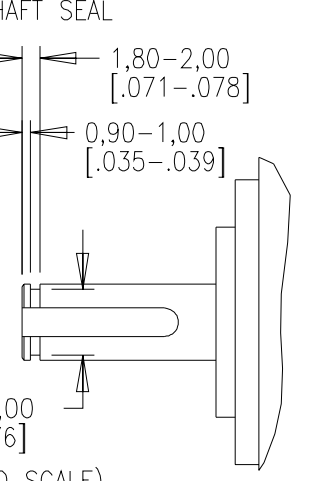
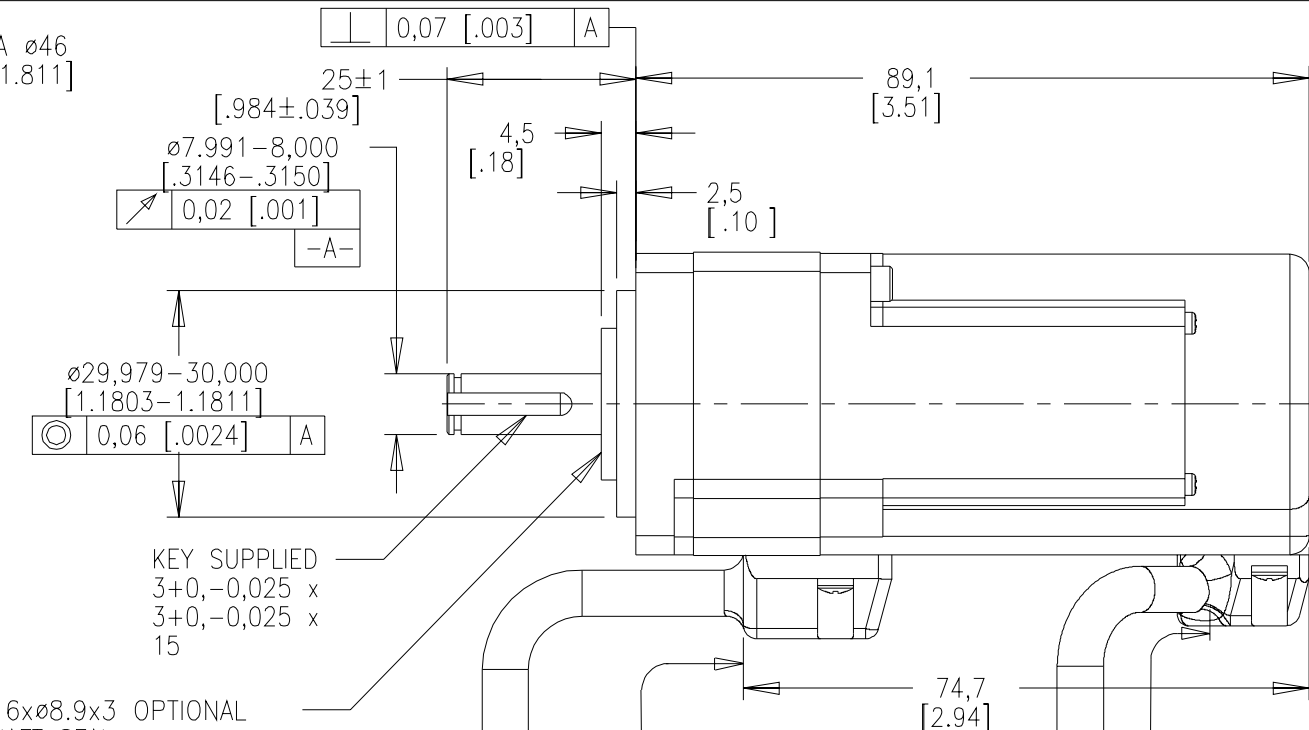


Ø4,5 THRU (2) EQ SP 180° APART ON A Ø46
[.177] [1.811]



- SPECIFICATIONS:**
- MOTOR TYPE: 8 POLE, 3 PHASE, WYE WINDING, PERMANENT MAGNET ROTOR, TOTALLY ENCLOSED, NON VENTILATED.
 - CONTINUOUS STALL TORQUE: 0.086 Nm (0.76 LB-IN) MAX AT 125°C WINDING TEMPERATURE, IN A 40°C AMBIENT, WHEN MOUNTED ON AN 8 INCH SQUARE X 1/4 INCH THICK ALUMINUM HEAT SINK.
 - OPERATING SPEED: 5000 RPM MAX.
 - Ke: 28±10% V/KRPM 0-PEAK (PHASE TO PHASE) AT 20-30°C.
 - SERIAL ENCODER, WITH 16 BIT MULTI-TURN AND 17 BIT SINGLE TURN ABSOLUTE POSITION DATA.
 - BRAKE: 24VDC, 0.32 Nm (2.8 LB-IN) MAX HOLDING TORQUE. BRAKE RELEASES WHEN VOLTAGE APPLIED, EITHER POLARITY.
 - FOR ADDITIONAL SPECIFICATIONS SEE TLA110PBJ34AAESE.



| PIN-OUT | | |
|-------------------|-------------|---------------------|
| ENCODER CONNECTOR | | |
| PIN | FUNCTION | COLOR |
| 1-6 | - | - |
| 7 | EPWR | RED |
| 8 | ECOM + BAT- | BROWN/BLACK + BLACK |
| 9 | SHIELD | BLACK SHRINK |
| 10-11 | - | - |
| 12 | SD+ | BLUE |
| 13 | SD- | BLUE/BLACK |
| 14 | BAT+ | BROWN |
| 15 | - | - |

| PIN-OUT | | |
|-----------------|----------|--------------|
| POWER CONNECTOR | | |
| PIN | FUNCTION | COLOR |
| 1 | U | RED |
| 2 | V | WHITE |
| 3 | W | BLACK |
| 4 | GROUND | YELLOW/GREEN |

| PIN-OUT | | |
|-----------------|----------|--------|
| BRAKE CONNECTOR | | |
| PIN | FUNCTION | COLOR |
| 1 | BR+ | YELLOW |
| 2 | BR- | BLUE |

| | | | | | |
|---------------------------------------|---------|----|----------------------|---------|-------------|
| 01 | 1007016 | SJ | RELEASED | - | - |
| REV | ECN | BY | REVISION DESCRIPTION | DATE | CHKR |
| UNLESS OTHERWISE SPECIFIED | | | DRAWN BY | DATE | DESIGN ENGR |
| DO NOT SCALE DRAWING | | | SJ | 3-09-04 | - |
| DIMENSIONS ARE IN MILLIMETERS | | | TL-A110P-BJ34AA,ESM | | |
| WITH INCHES REFERENCED [x.x] | | | | | |
| UNTOLERANCED DIMENSIONS ARE REFERENCE | | | | | |
| THIRD ANGLE PROJECTION | | | | | |

| | |
|--------------------|----------|
| ProE Version | Modified |
| 0 | 1 |
| DXF FILE AVAILABLE | |

PART NO. TLA110PBJ34AAESM

| | | |
|--------------------|---------------|-----------------|
| SCALE : 1 1.000 | DWG SIZE B | SHEET 1 OF 1 |
|--------------------|---------------|-----------------|