

Rotary operating mechanism with: external handle or external handle with internal NFPA 79 operating handle

Installation - Installazione - Instalación
Instalação - 取付け方法 - 安装

WARNING: To prevent electrical shock, disconnect from power source before installing or servicing. Install in suitable enclosure. Keep free from contaminants. (Follow NFPA70E requirements).

AVVERTENZA: Per prevenire infortuni, togliere tensione prima dell'installazione o manutenzione. Installare in custodia idonea. Tenere lontano da contaminanti.

WARNUNG: Vor Installations- oder Servicearbeiten Stromversorgung zur Vermeidung von elektrischen Unfällen trennen. Die Geräte müssen in einem passenden Gehäuse eingebaut und gegen Verschmutzung geschützt werden.

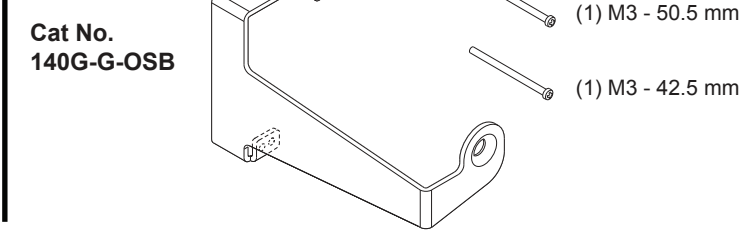
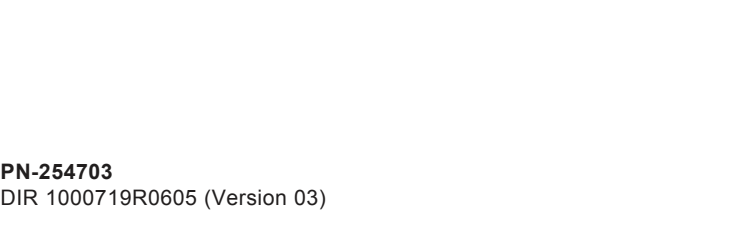
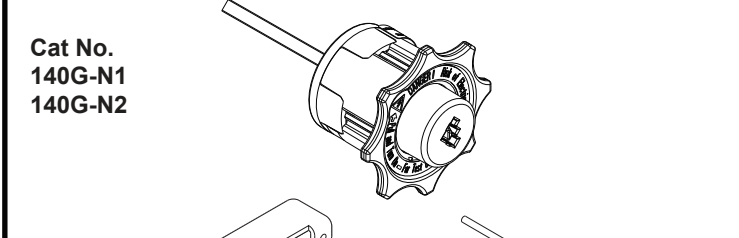
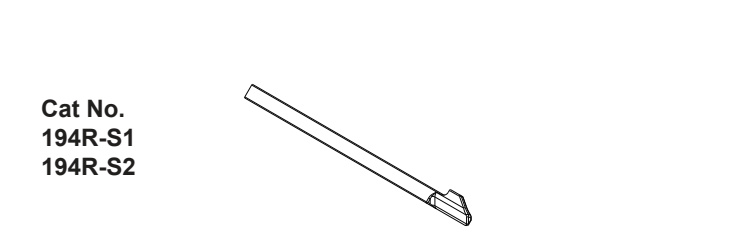
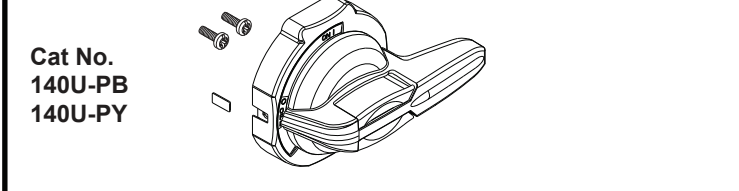
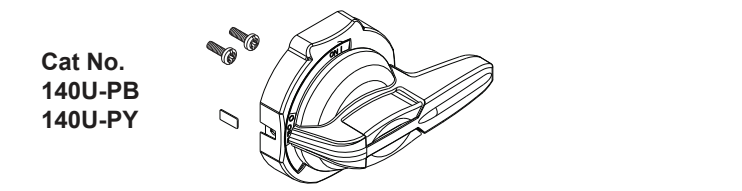
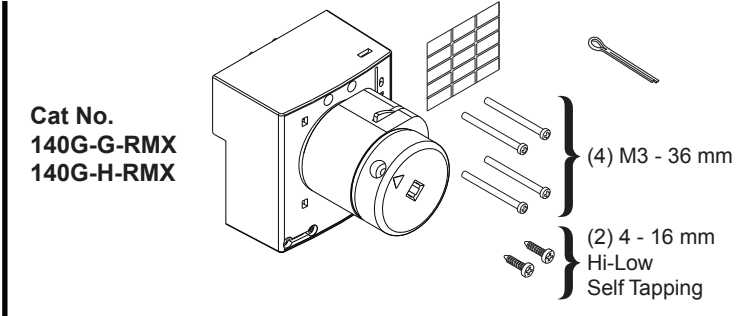
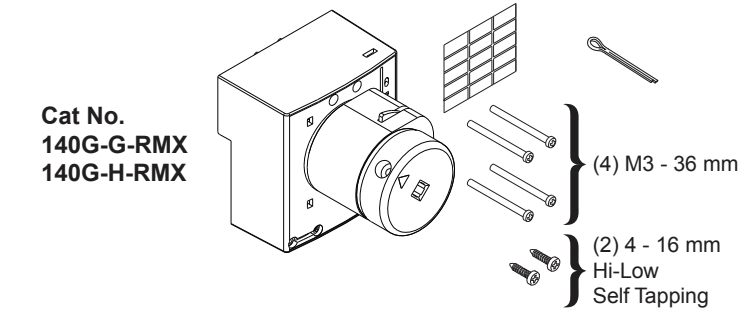
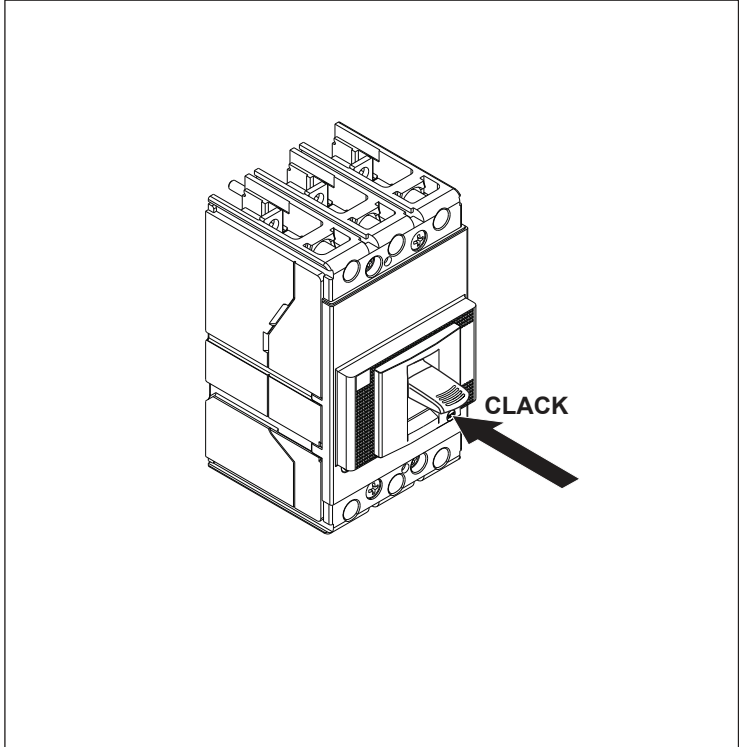
AVERTISSEMENT: Avant le montage et la mise en service, couper l'alimentation secteur pour éviter toute décharge. Prévoir une mise en coffret ou armoire appropriée. Protéger le produit contre les environnements agressifs.

ADVERTENCIA: Desconéctese de la corriente eléctrica, antes de la instalación o del servicio, a fin de impedir sacudidas eléctricas. Instálelo en una caja apropiada. Manténgalo libre de contaminantes.

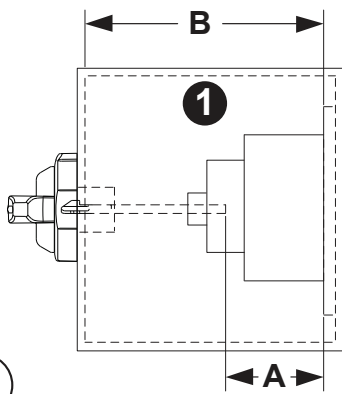
ATENÇÃO: Para evitar choques, desconectar da corrente elétrica antes de fazer a instalação ou a manutenção. Instalar em caixa apropriada. Manter livre de contaminantes.

警告: 感電事故防止のため、取付けまたは修理の際は電源から取り外してください。適切なケース内に取付けてください。また、汚染物質がないことを確認してください。

警告: 为了防止触电，在安装或维修之前必须先切断电源。安装在合适的设备箱内。防止接触污染物。



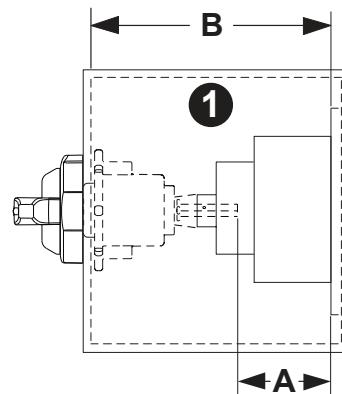
1



mm
(in.)

Cat	A	Cat	Cat	B	
				MIN	MAX
140G-G	131 (5-5/32)	194R-S1	305 (12)	140G-G 191 (7-1/2)	451 (17-3/4)
140G-H	144 (5-43/64)		140G-I 205 (8)	464 (18-1/4)	
140G-I	131 (5-5/32)		140G-H 205 (8)	464 (18-1/4)	
140G-J	144 (5-43/64)		140G-J 205 (8)	464 (18-1/4)	
		194R-S2	533 (21)	140G-G 191 (7-1/2)	679 (26-3/4)
			140G-I 205 (8)	692 (27-1/4)	
			140G-H 205 (8)	692 (27-1/4)	
			140G-J 205 (8)	692 (27-1/4)	

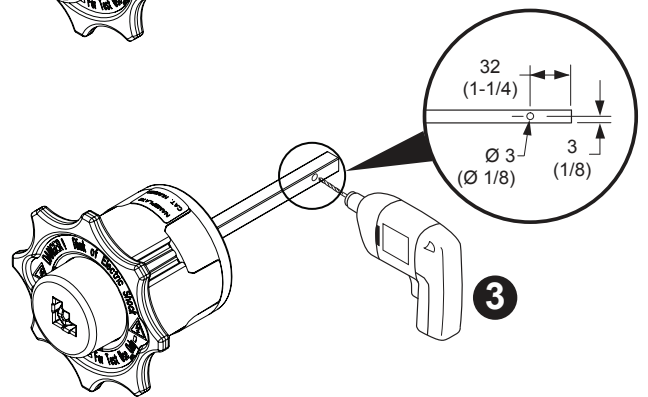
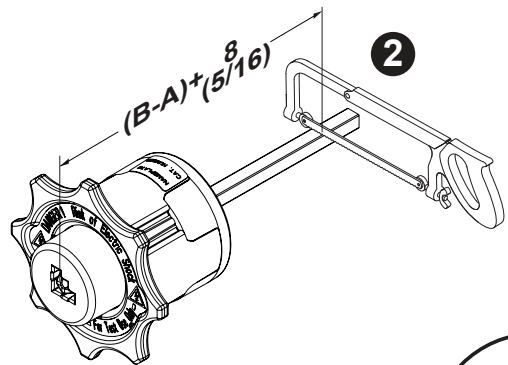
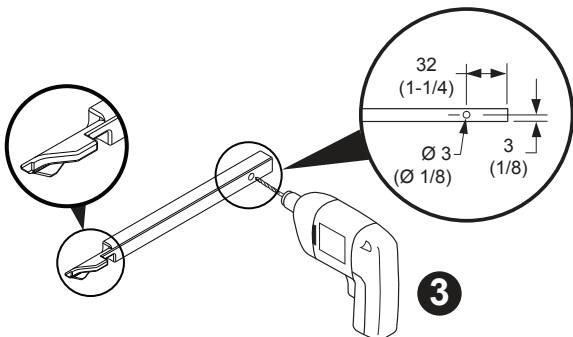
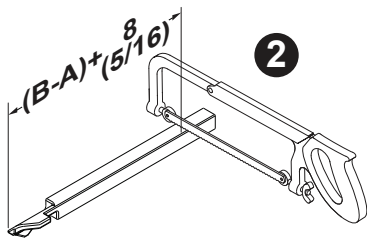
*B dimension taken from top of mounting plate



mm
(in.)

Cat	A	Cat	Cat	B	
				MIN	MAX
140G-G	131 (5-5/32)	140G-N1	305 (12)	140G-G 229 (9)	451 (17-3/4)
140G-H	144 (5-43/64)		140G-I 241 (9-1/2)	464 (18-1/4)	
140G-I	131 (5-5/32)		140G-H 241 (9-1/2)	464 (18-1/4)	
140G-J	144 (5-43/64)		140G-J 241 (9-1/2)	464 (18-1/4)	
		140G-N2	533 (21)	140G-G 229 (9)	679 (26-3/4)
			140G-I 241 (9-1/2)	692 (27-1/4)	
			140G-H 241 (9-1/2)	692 (27-1/4)	
			140G-J 241 (9-1/2)	692 (27-1/4)	

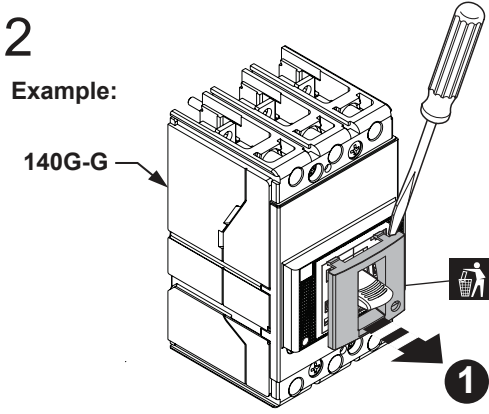
*B dimension taken from top of mounting plate



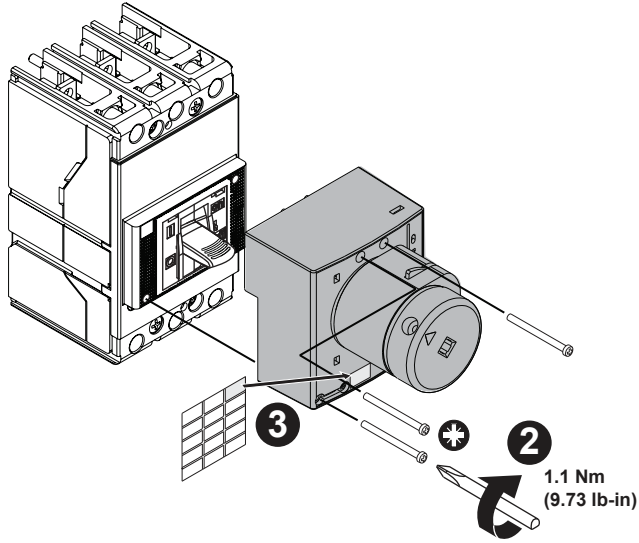
2

Example:

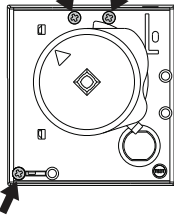
140G-G



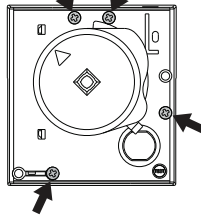
1



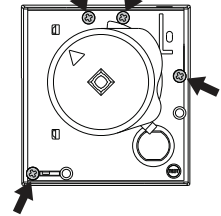
140G-G



140G-I

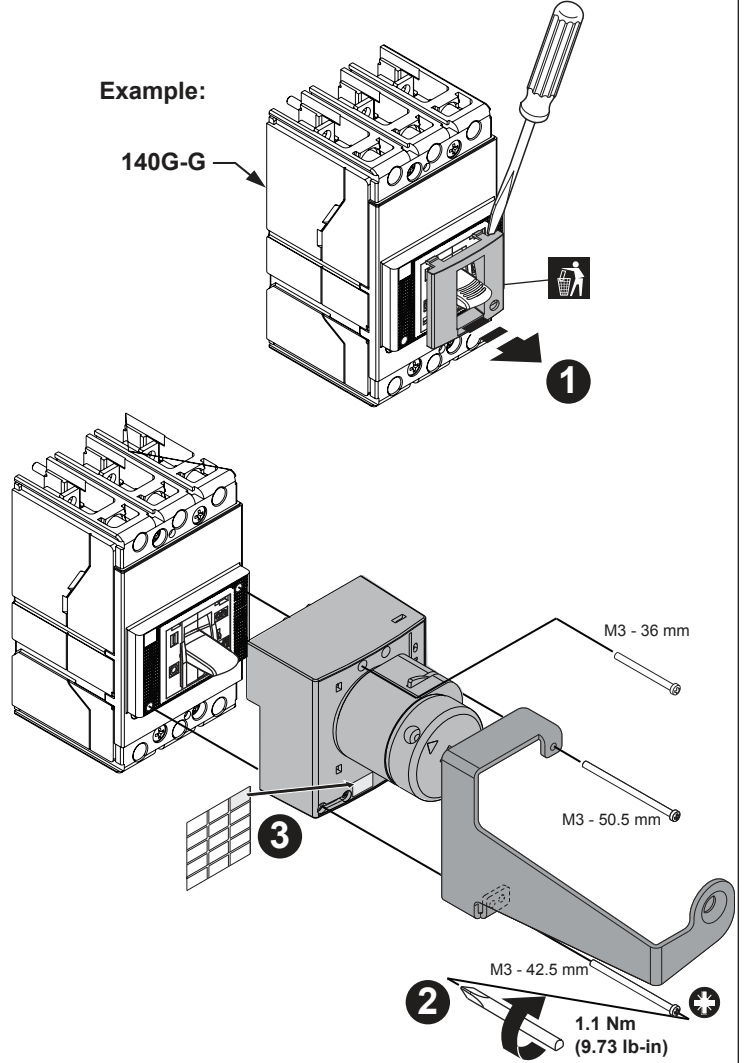


140G-H / 140G-J



Example:

140G-G



1

3

2

1

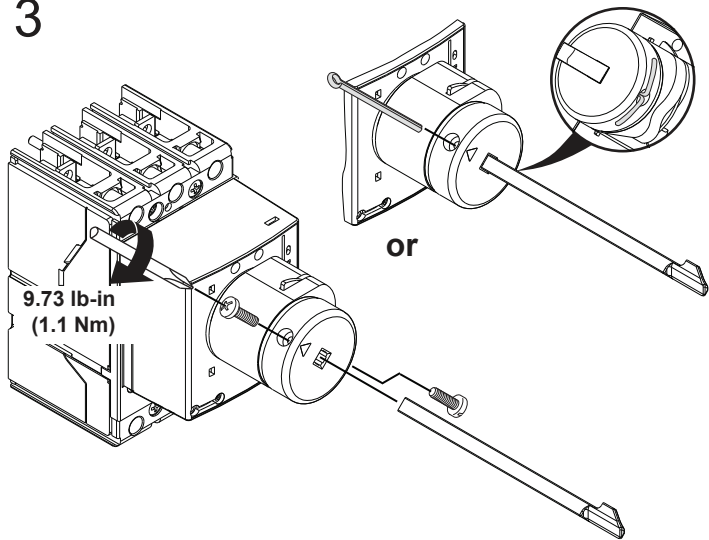
M3 - 36 mm

M3 - 50.5 mm

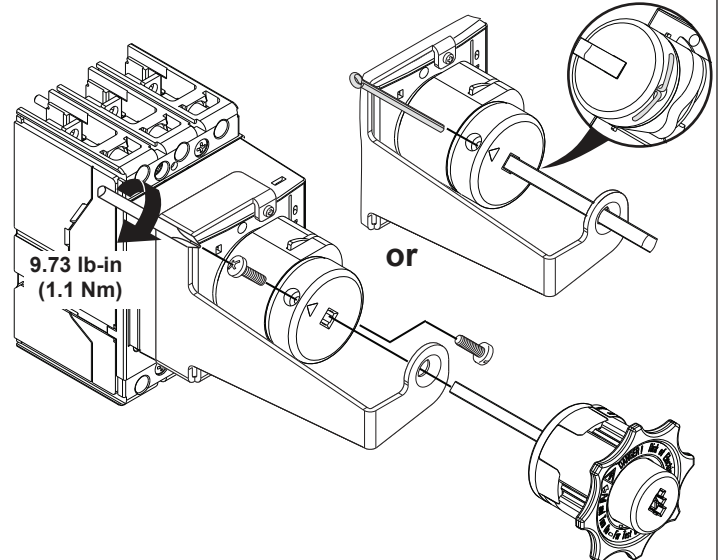
M3 - 42.5 mm

1.1 Nm (9.73 lb-in)

3



or



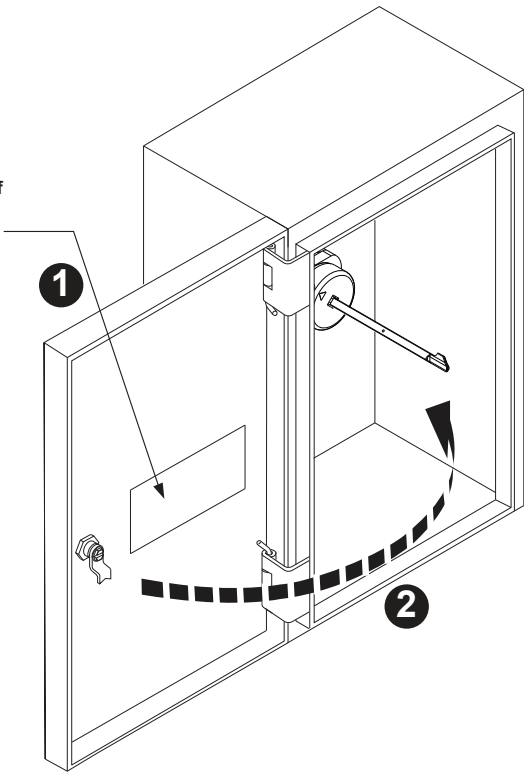
9.73 lb-in (1.1 Nm)

or

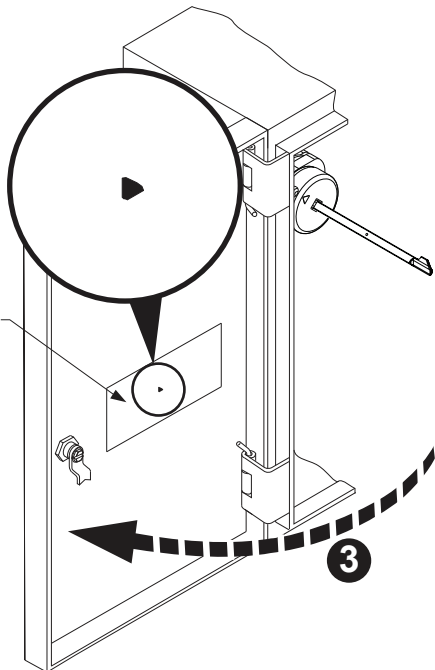
4

*Minimum distance from hinge to shaft centerline is 76 mm / 3 inches

Masking tape
Du ruban adhésif
Abdeckband
Cinta adhesiva
Fita adesiva
Nastro adesivo

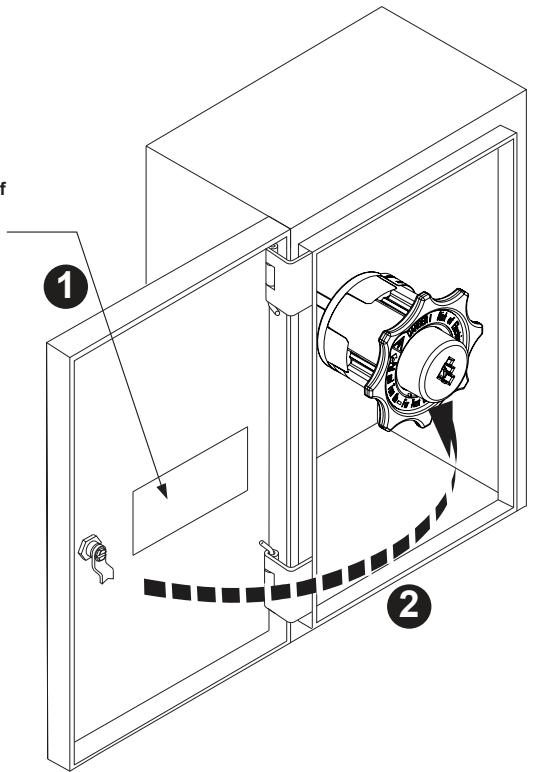


Mark from shaft head
Marque de la tête de l'arbre
Markieren Sie vom Schachtkopf
Marca desde la cabeza del eje
Marca da cabeça do eixo
Segna dalla testa dell'albero

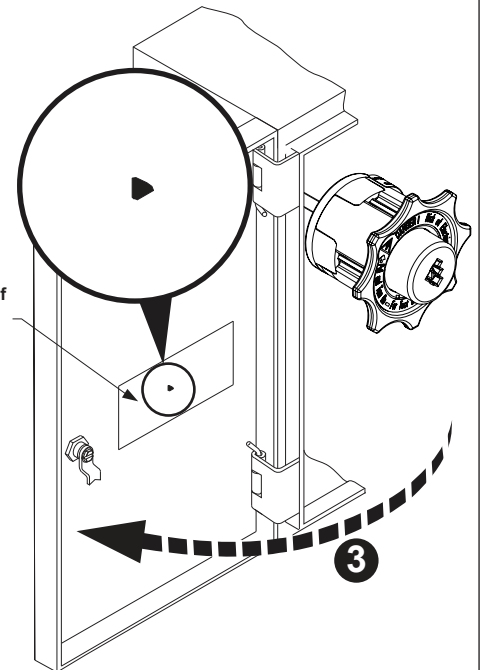


*Minimum distance from hinge to shaft centerline is 76 mm / 3 inches

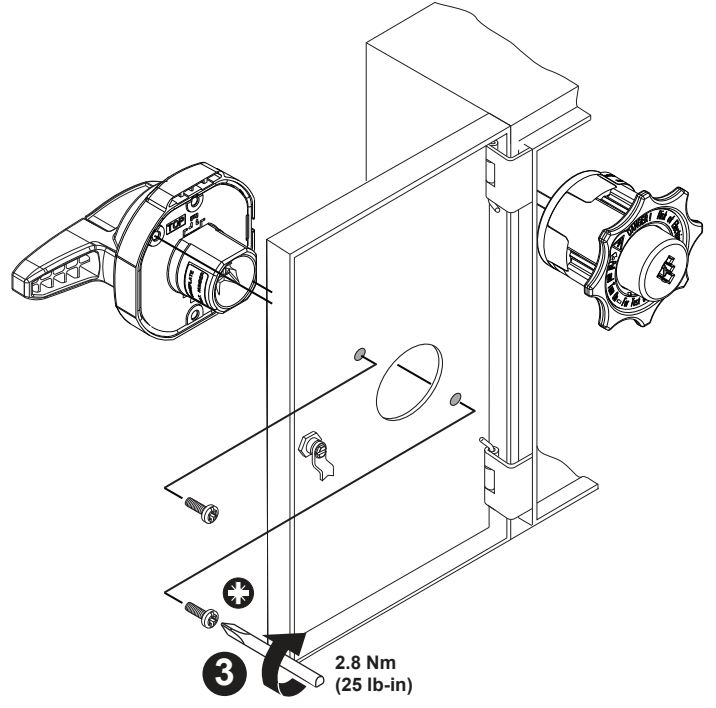
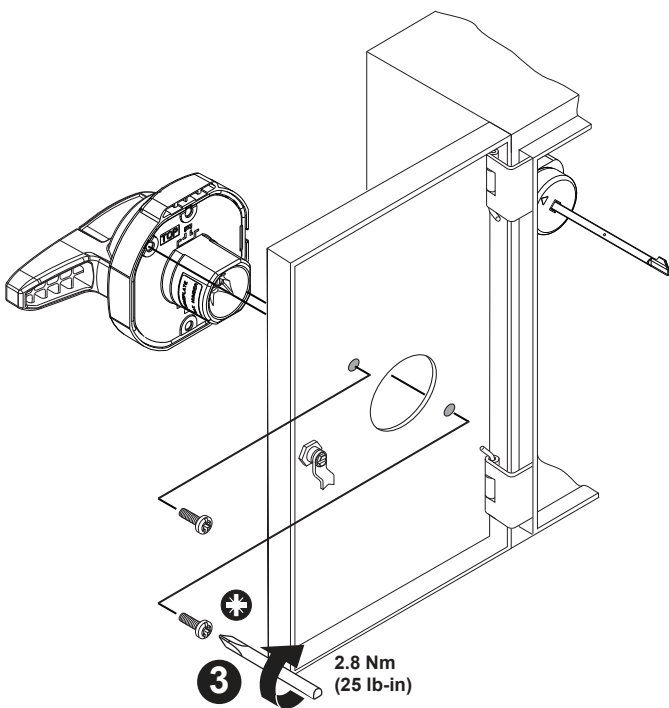
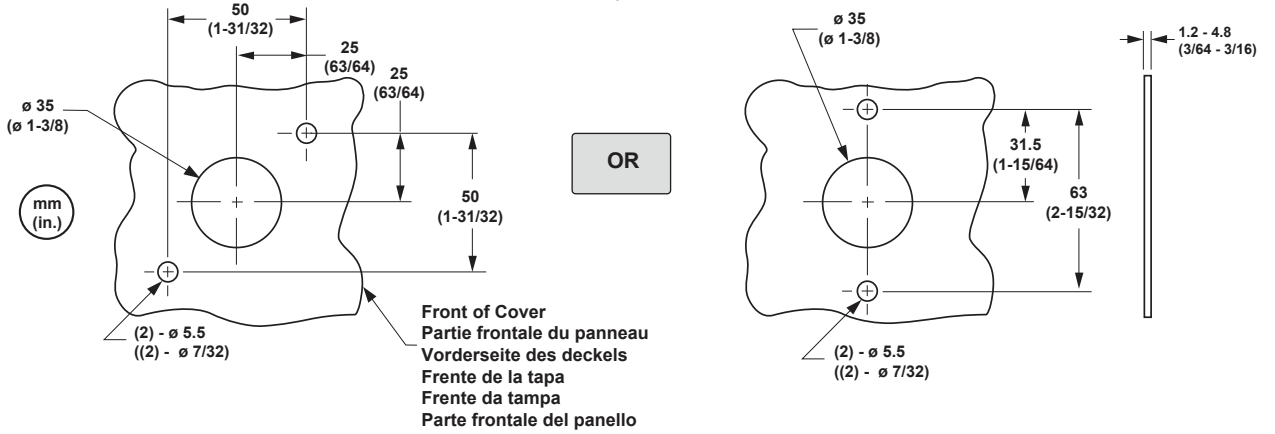
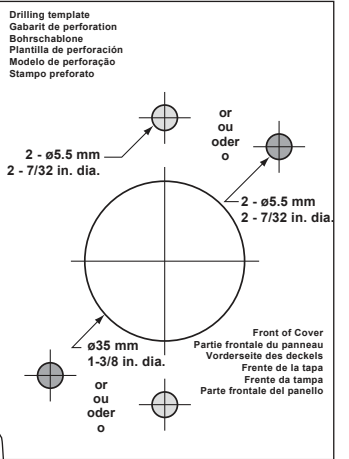
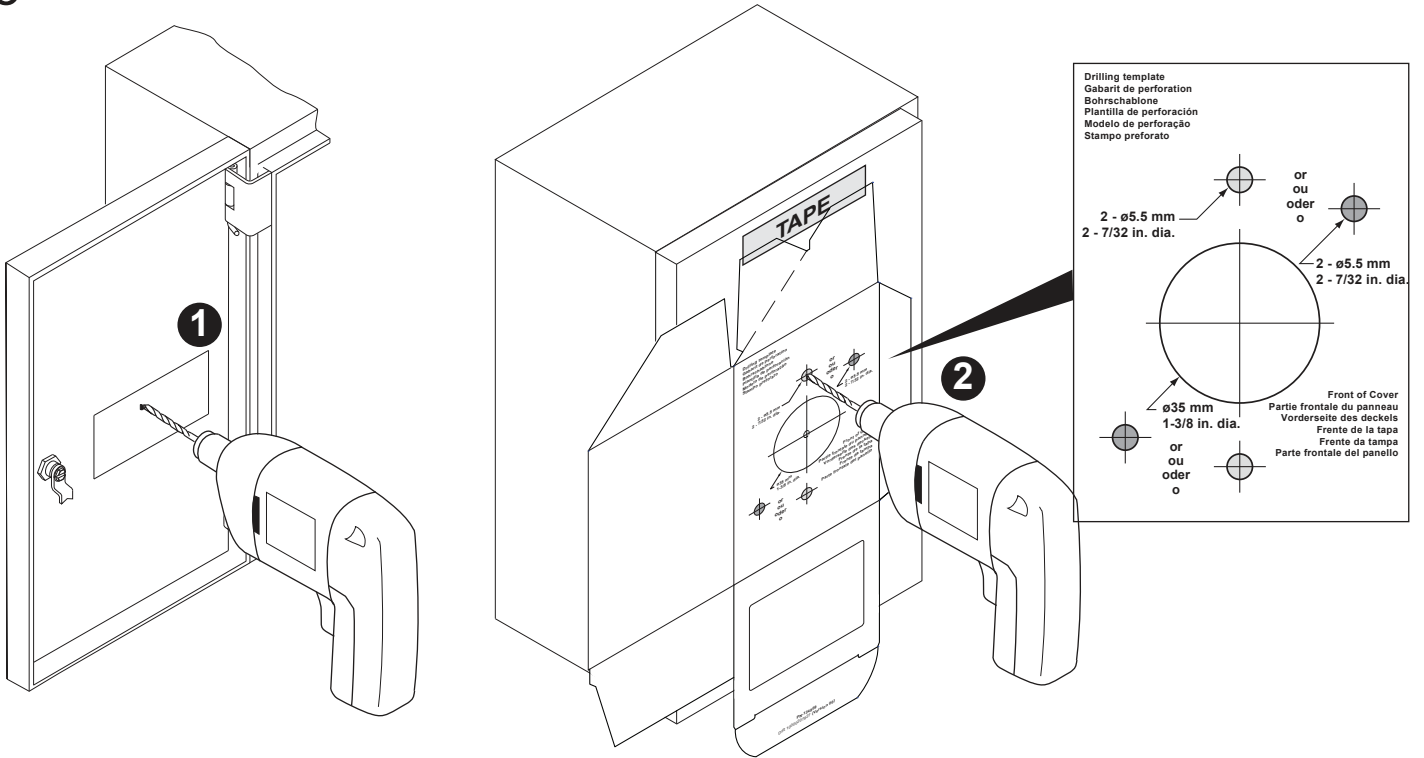
Masking tape
Du ruban adhésif
Abdeckband
Cinta adhesiva
Fita adesiva
Nastro adesivo

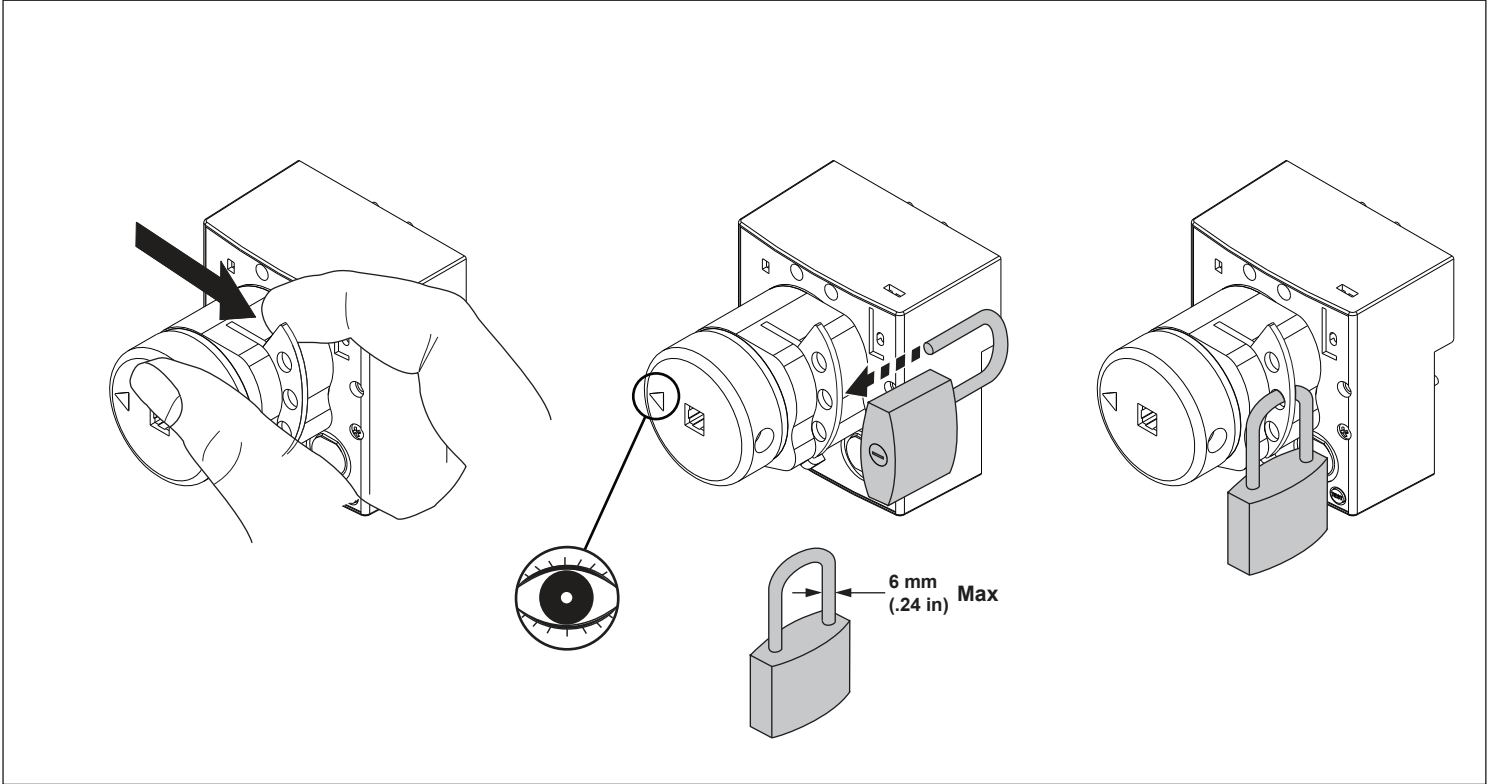


Mark from shaft head
Marque de la tête de l'arbre
Markieren Sie vom Schachtkopf
Marca desde la cabeza del eje
Marca da cabeça do eixo
Segna dalla testa dell'albero



5





Rockwell Automation maintains current product environmental information on its website at <http://www.rockwellautomation.com/rockwellautomation/about-us/sustainability-ethics/product-environmental-compliance.page>.

Allen-Bradley, Rockwell Software, and Rockwell Automation are trademarks of Rockwell Automation, Inc. Trademarks not belonging to Rockwell Automation are property of their respective companies.

Rockwell Otomasyon Ticaret A.Ş., Kar Plaza İş Merkezi E Blok Kat:6 34752 İçerenköy, İstanbul, Tel: +90 (216) 5698400

www.rockwellautomation.com

Power, Control and Information Solutions Headquarters

Americas: Rockwell Automation, 1201 South Second Street, Milwaukee, WI 53204-2496 USA, Tel: (1) 414.382.2000, Fax: (1) 414.382.4444

Europe/Middle East/Africa: Rockwell Automation NV, Pegasus Park, De Kleetlaan 12a, 1831 Diegem, Belgium, Tel: (32) 2 663 0600, Fax: (32) 2 663 0640

Asia Pacific: Rockwell Automation, Level 14, Core F, Cyberport 3, 100 Cyberport Road, Hong Kong, Tel: (852) 2887 4788, Fax: (852) 2508 1846