

1

2

3

4

5

6

7

8

A

B

C

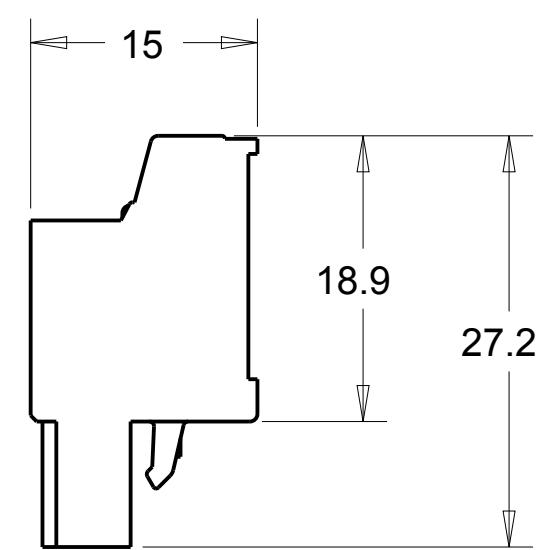
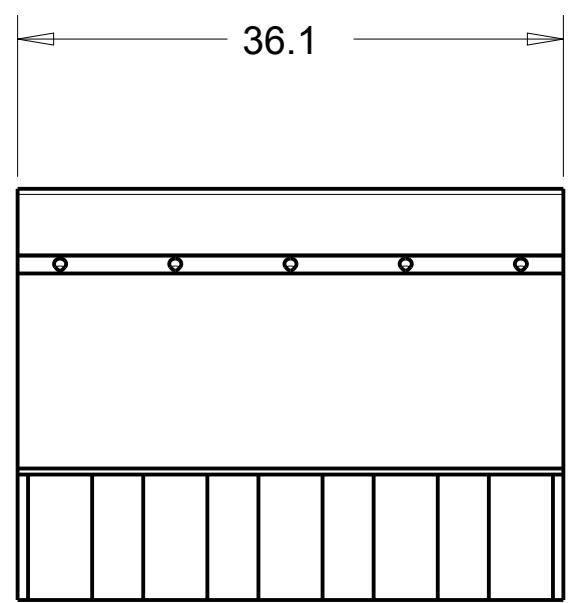
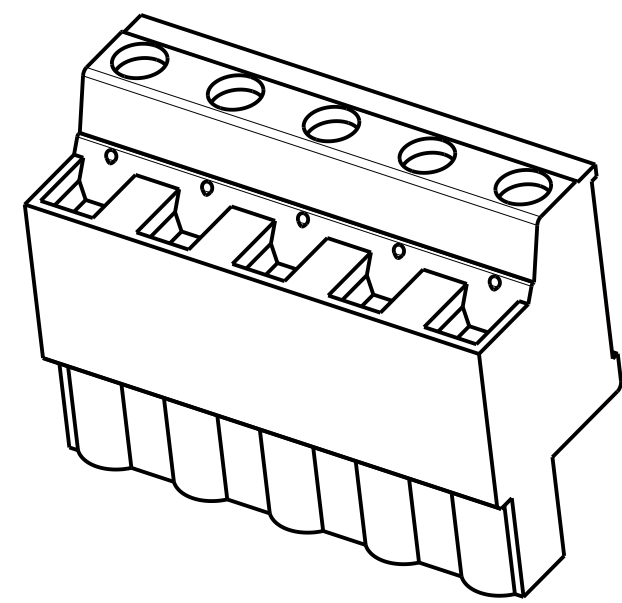
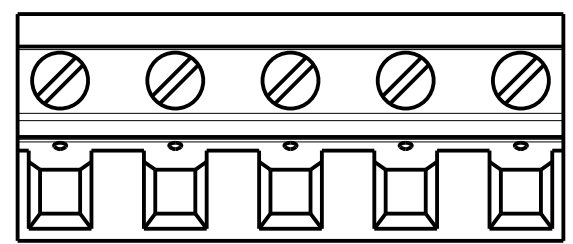
D

E

F

G

H



SCALE 2.000

**Rockwell Automation**

CONFIDENTIAL AND PROPRIETARY INFORMATION.  
 THIS DOCUMENT CONTAINS CONFIDENTIAL AND PROPRIETARY  
 INFORMATION OF ROCKWELL AUTOMATION, INC. AND MAY  
 NOT BE USED, COPIED OR DISCLOSED TO OTHERS, EXCEPT  
 WITH THE AUTHORIZED WRITTEN PERMISSION OF ROCKWELL  
 AUTOMATION, INC.

5069-RTB5 SCREW

Sheet 1 Of 1

Drawn by: YSUPRIA

Date: APR-04-2017

Size		Ver
<b>B</b>	<b>00</b>	<b>00</b>