

DRG No. **RPSE10**

IF IN DOUBT ASK

DO NOT SCALE

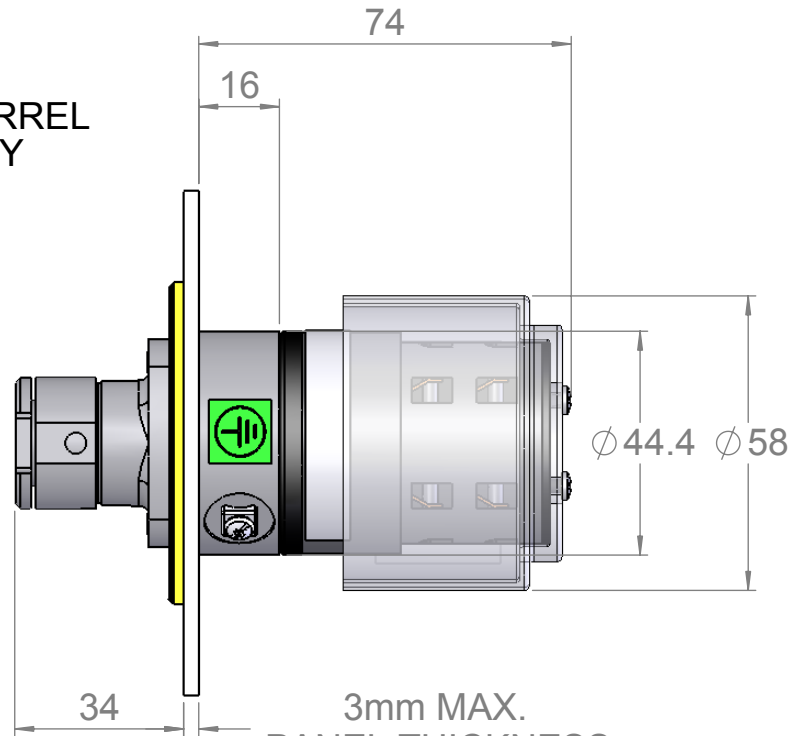
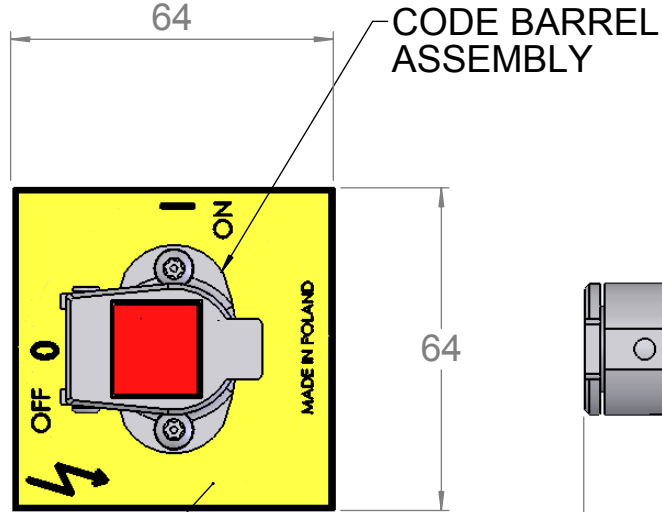
ALL DIMENSIONS IN mm

This drawing is the property of RA. and may not be used for any other purpose other than that for which it was supplied without the express written authority of RA.

TOLERANCE

ANGULAR	LINEAR
0° ± 2°	0 ± 0.50
0.0° ± 1°	0.0 ± 0.20
0.00° ± 0.5°	0.00 ± 0.10
0.000° ± 0.25°	0.000 ± 0.05

⊠ INDICATES CRITICAL DIMENSIONS



LEGEND PLATE

2 HOLES

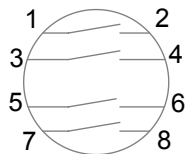
∅ 4.00 ∅ 20.00

16.00 32.00 FIXING SCREWS

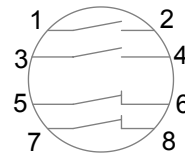
PANEL MTG. DETAILS.

3mm MAX. PANEL THICKNESS MOUNTING BLOCK

ISOLATOR



TYPE RPSE10
2NO/2NC 20A
VOLT FREE CONTACTS



TYPE RPSE11
4NO 20A
VOLT FREE CONTACTS

2	27835	UPDATED FOR SERIES B	WDG	WDG	11/10/07
1		DRAWN	WDG	WDG	29/09/00
ISS	EO	DESCRIPTION	DRW	APP	DATE

THIRD ANGLE PROJ. SCALE 2:3

Must Conform to RoHS Directive (2002/95/EC)
MATERIAL

FINISH

TITLE **RPSE10 & RPSE11**
OUTLINE DRAWING

Rockwell Automation

Ormside Close, Hindley Green,
Wigan, Lancashire, WN2 4HR

TEL: 01942 257112
FAX: 01942 523259

DRAWN	WDG	DATE 29/09/00
CHECKED	SF	DATE 29/09/00
APPROVED	WDG	DATE 29/09/00

DRG No. **RPSE10** **A4**

FILE LOCATION: RPSE