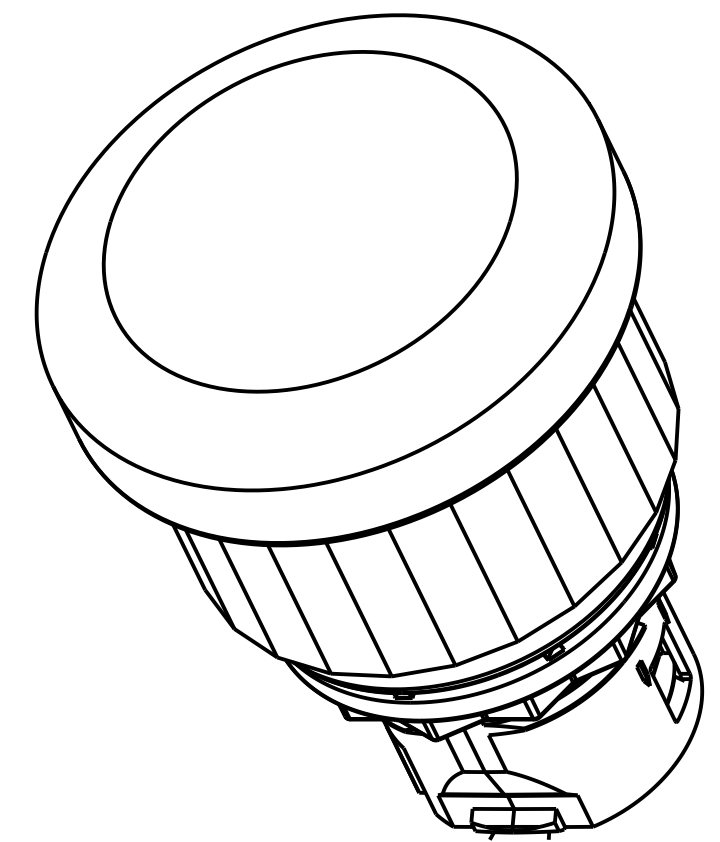
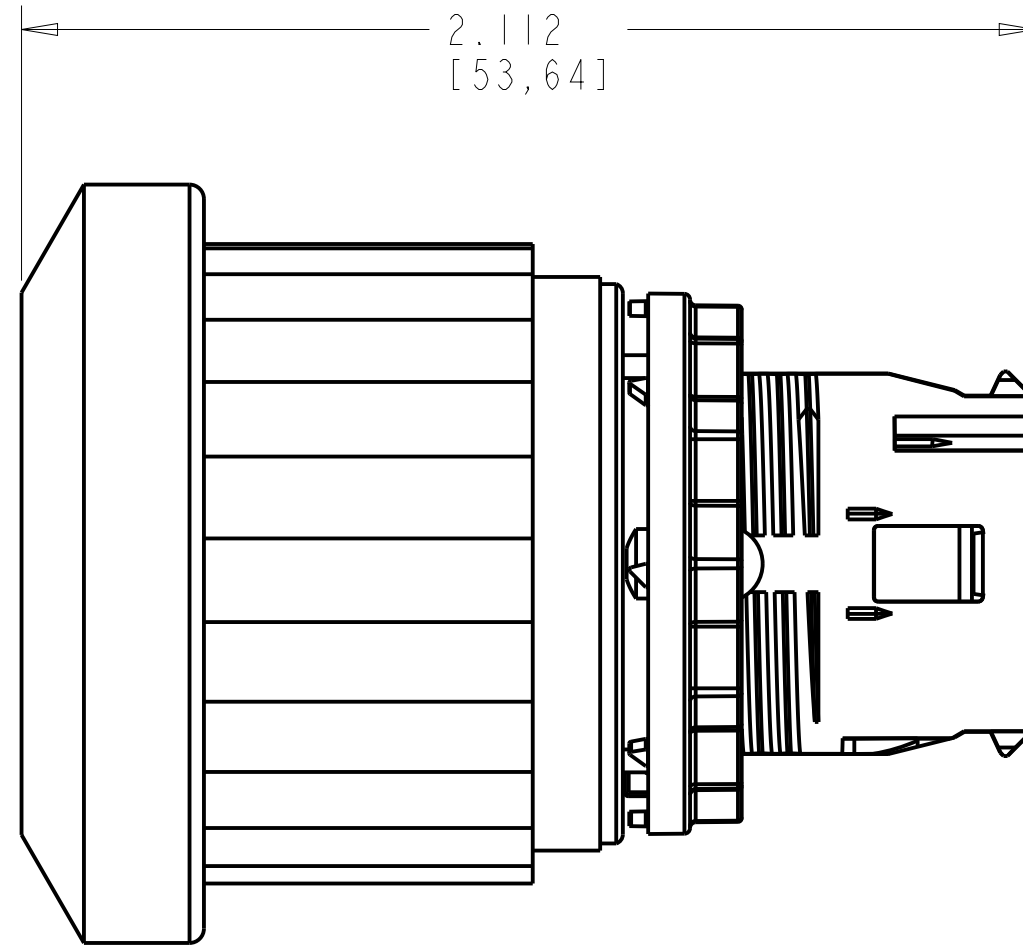
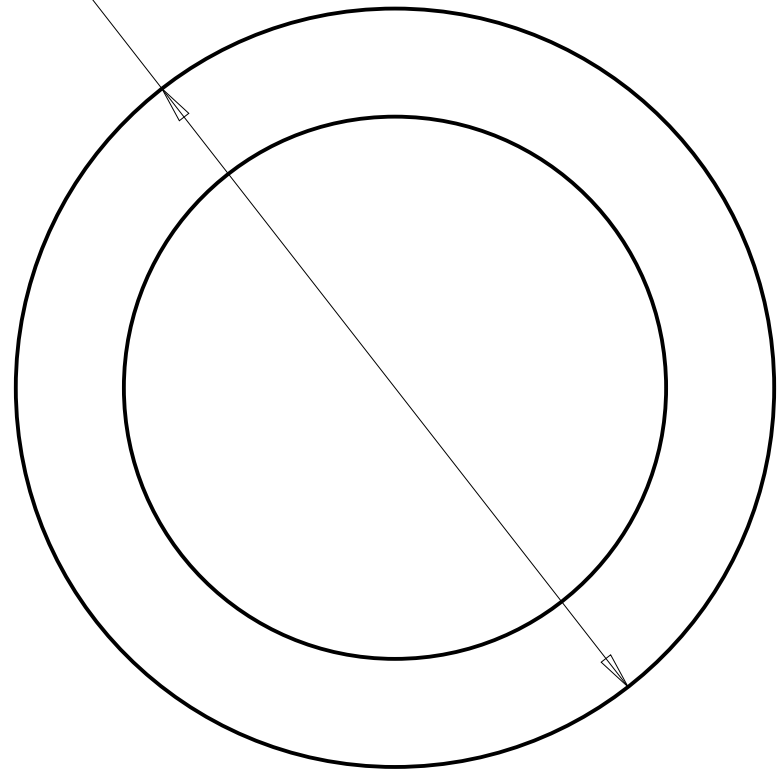


Ø 1.580  
[40,13]



APPROXIMATE DIMENSIONS.  
DIMENSIONS IN INCH [mm].