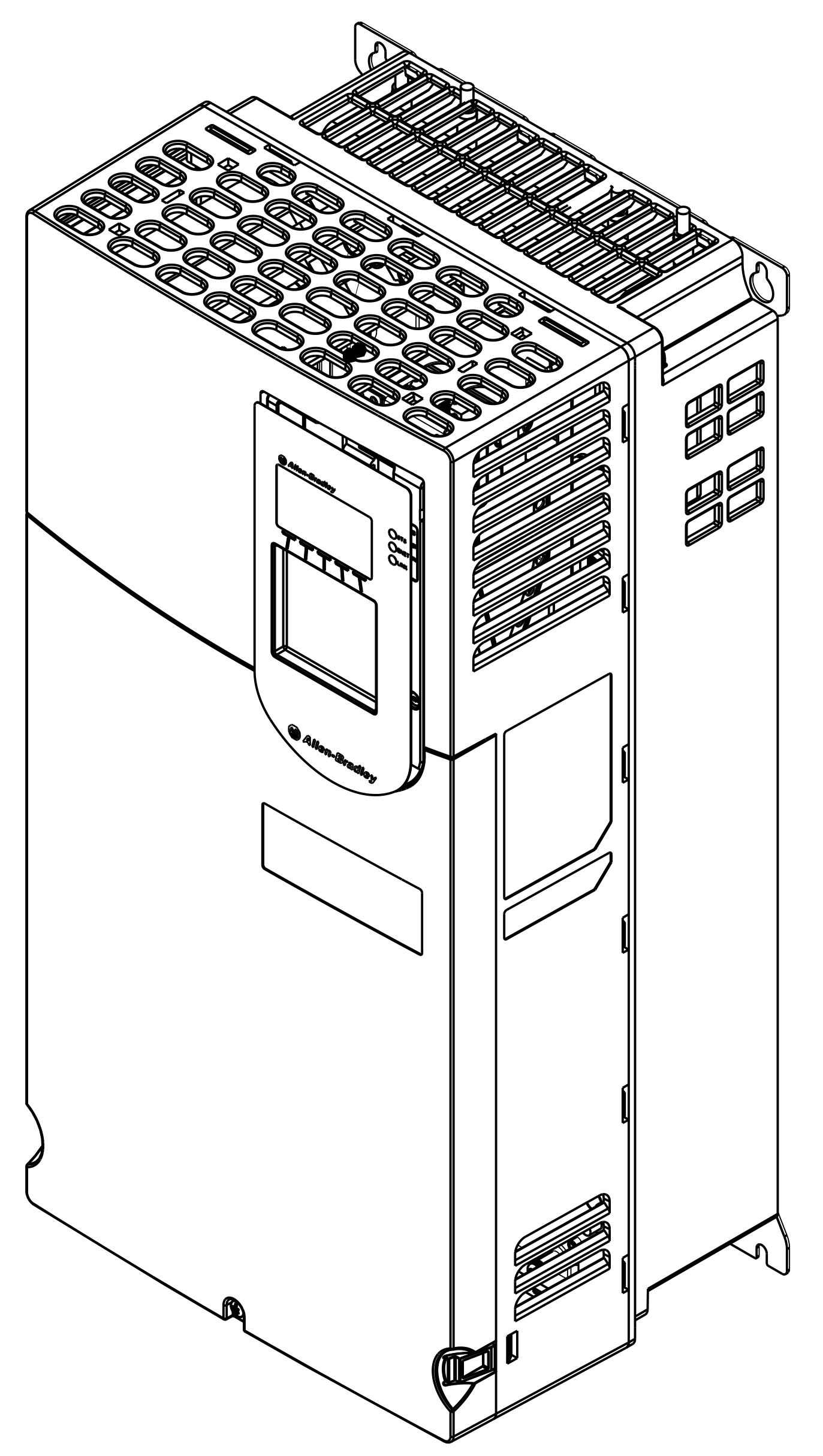
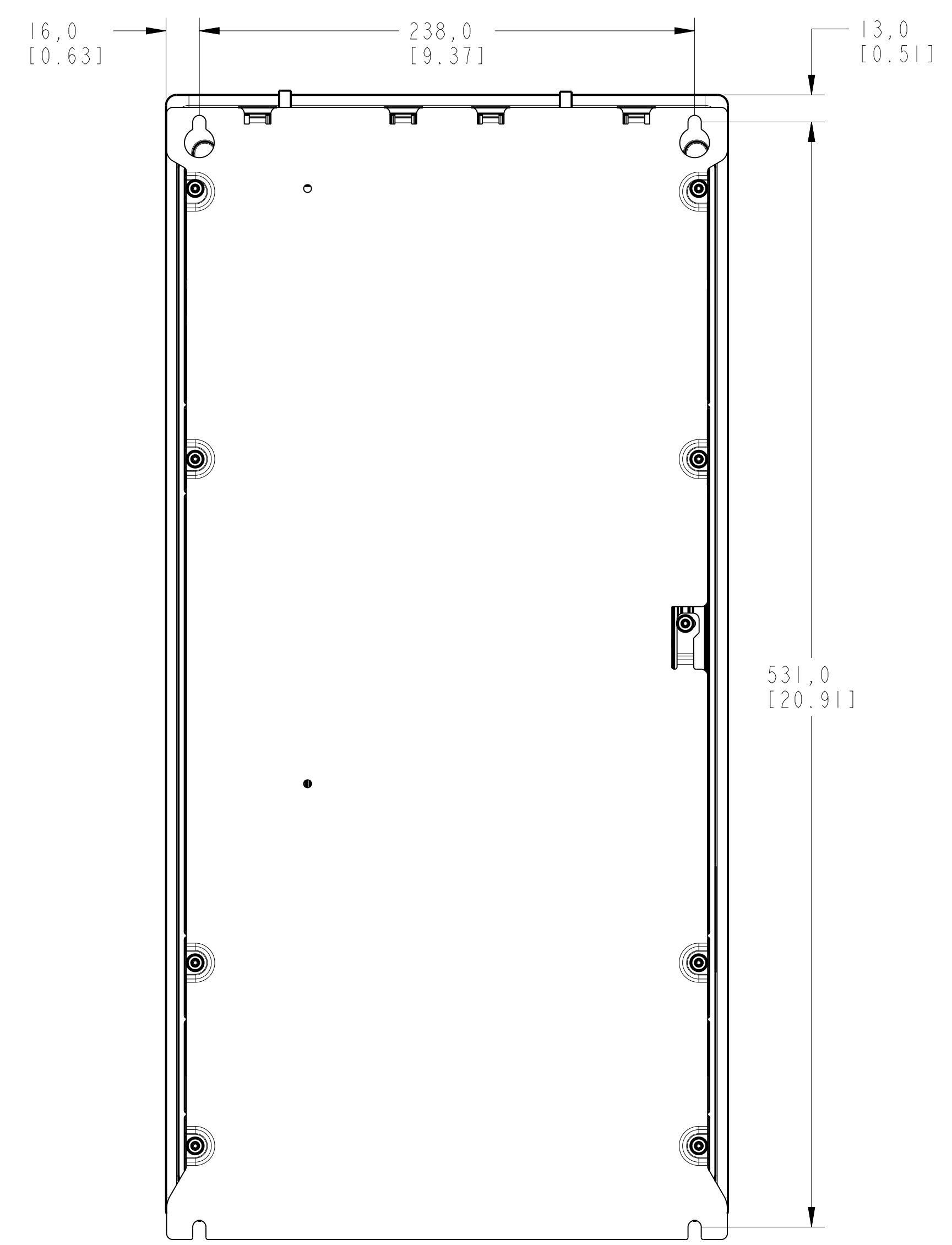
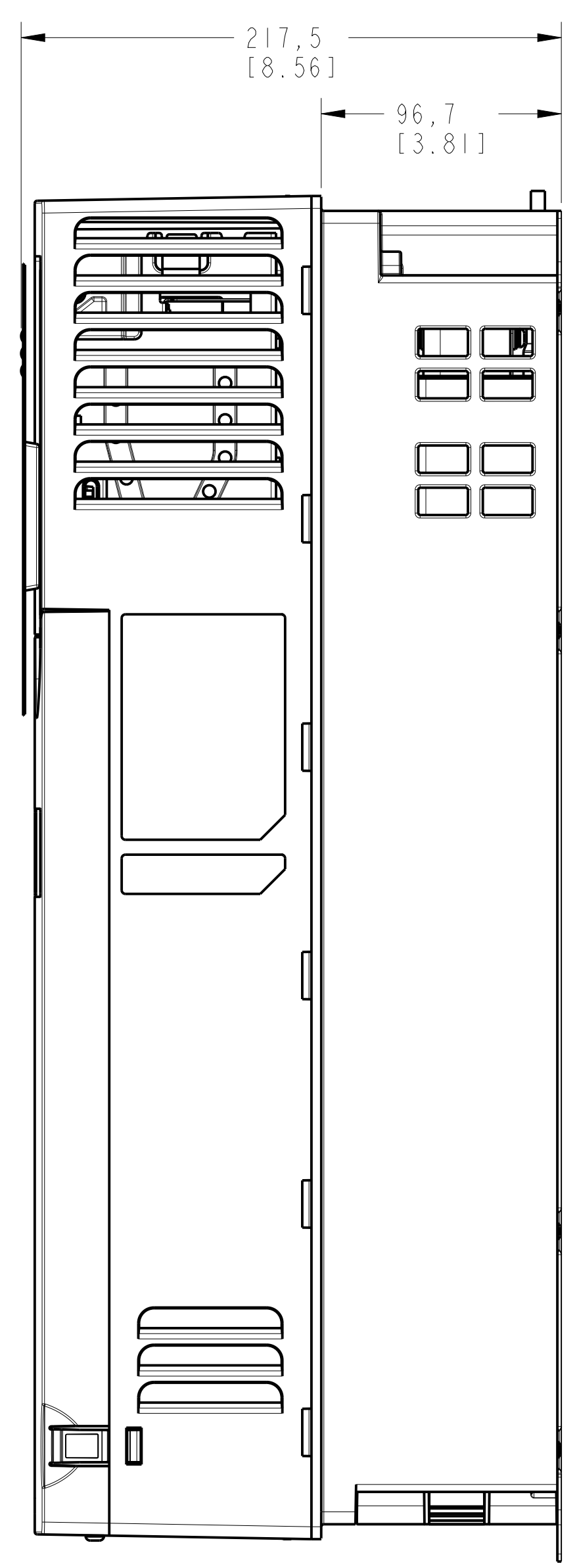
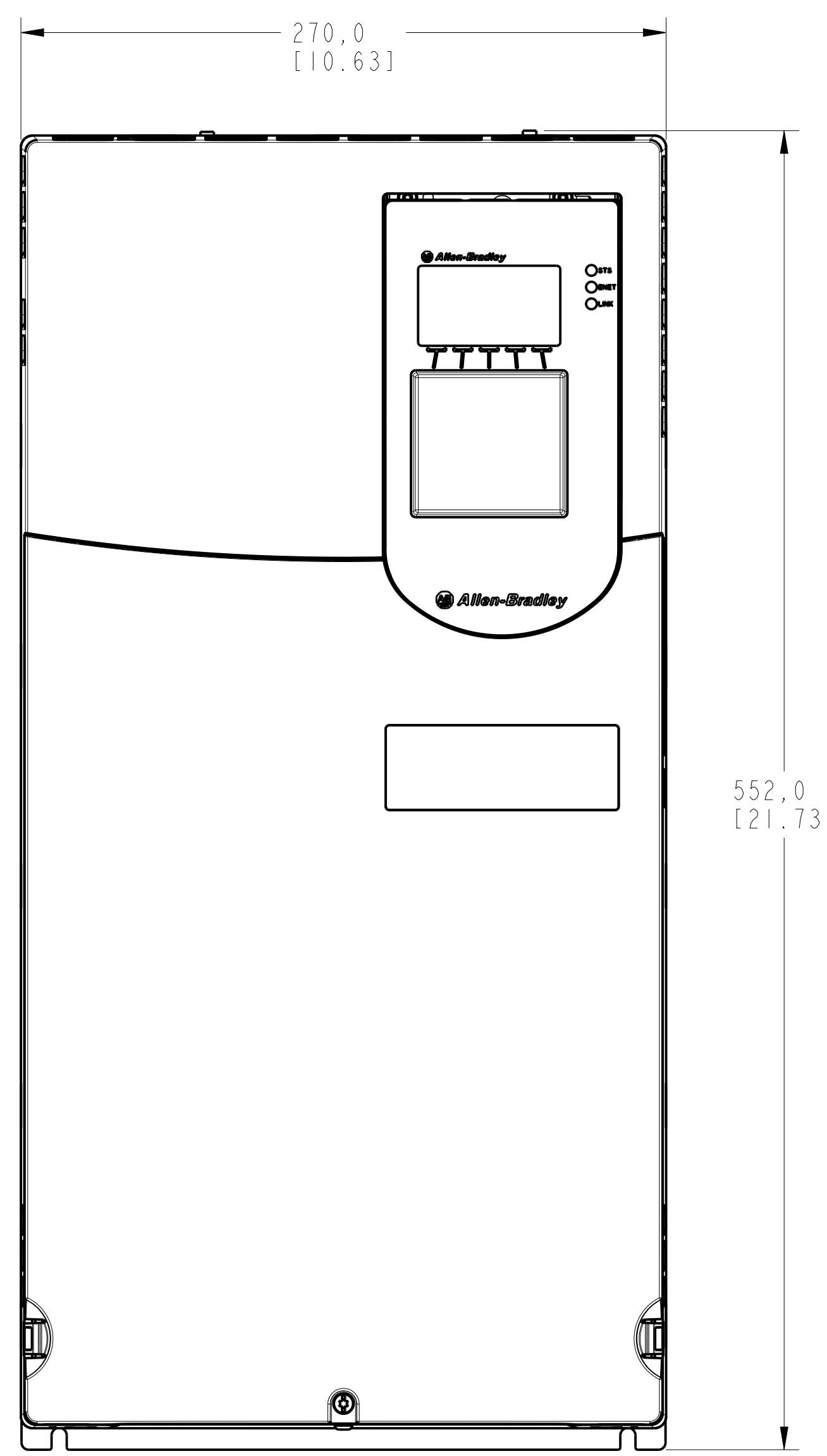


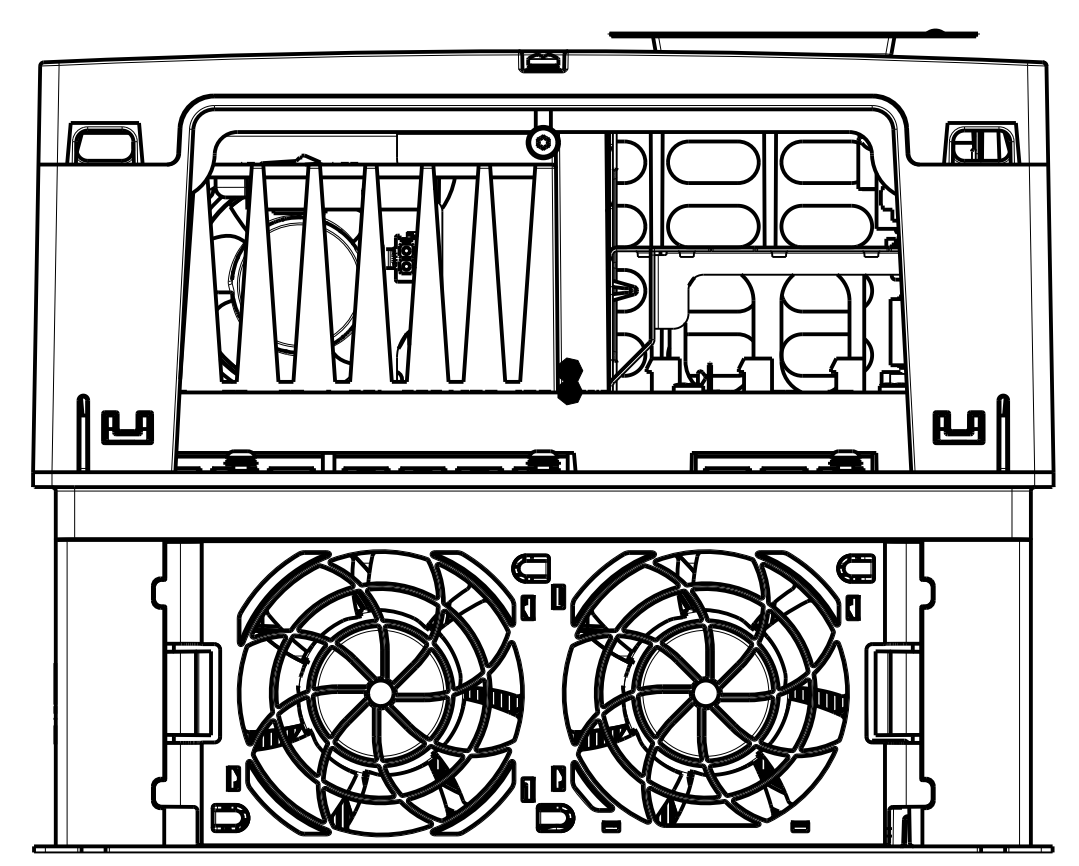
1 2 3 4 5 6 7 8

A
B
C
D
E
F
G
H



SCALE 0.500

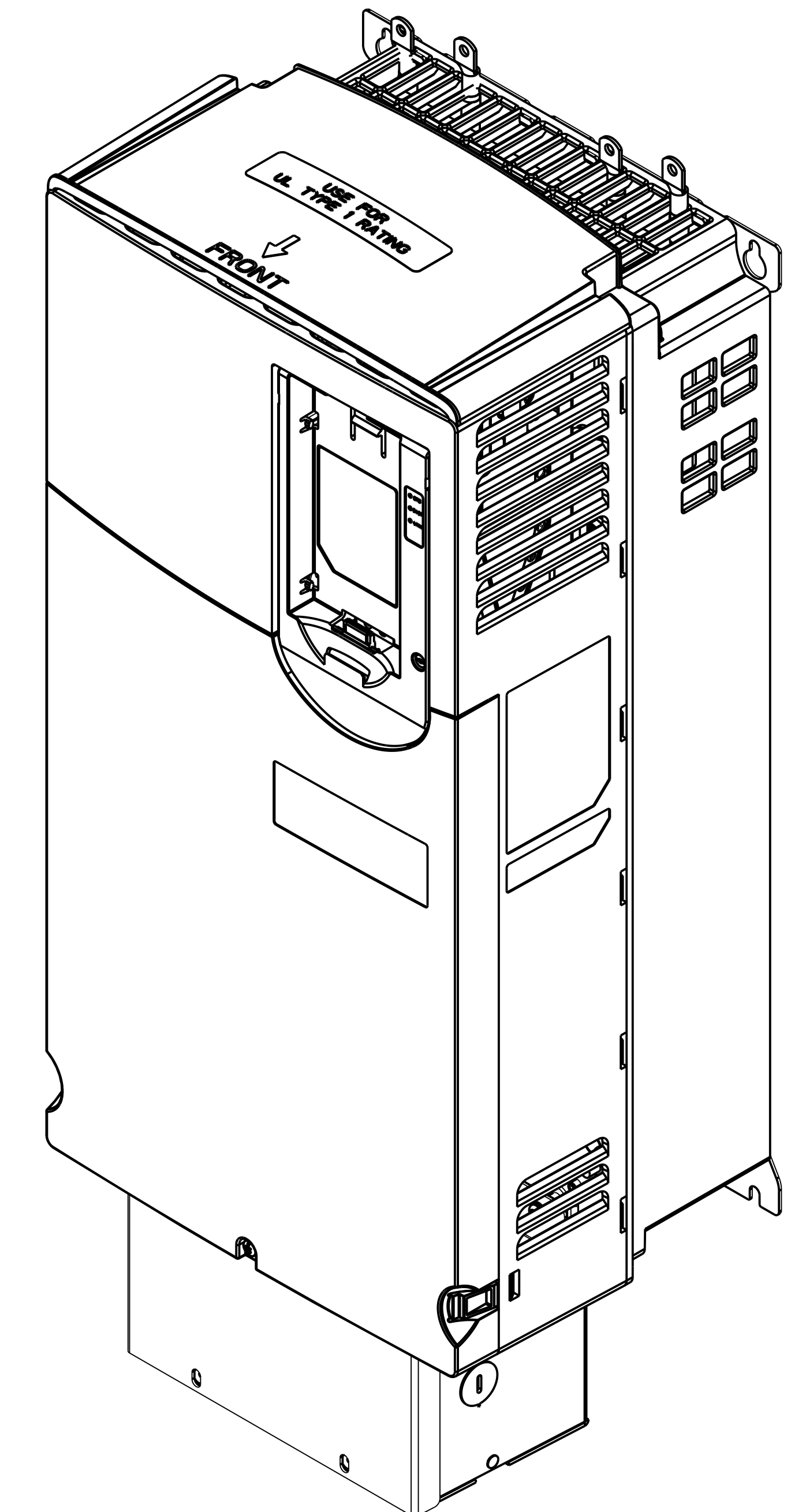
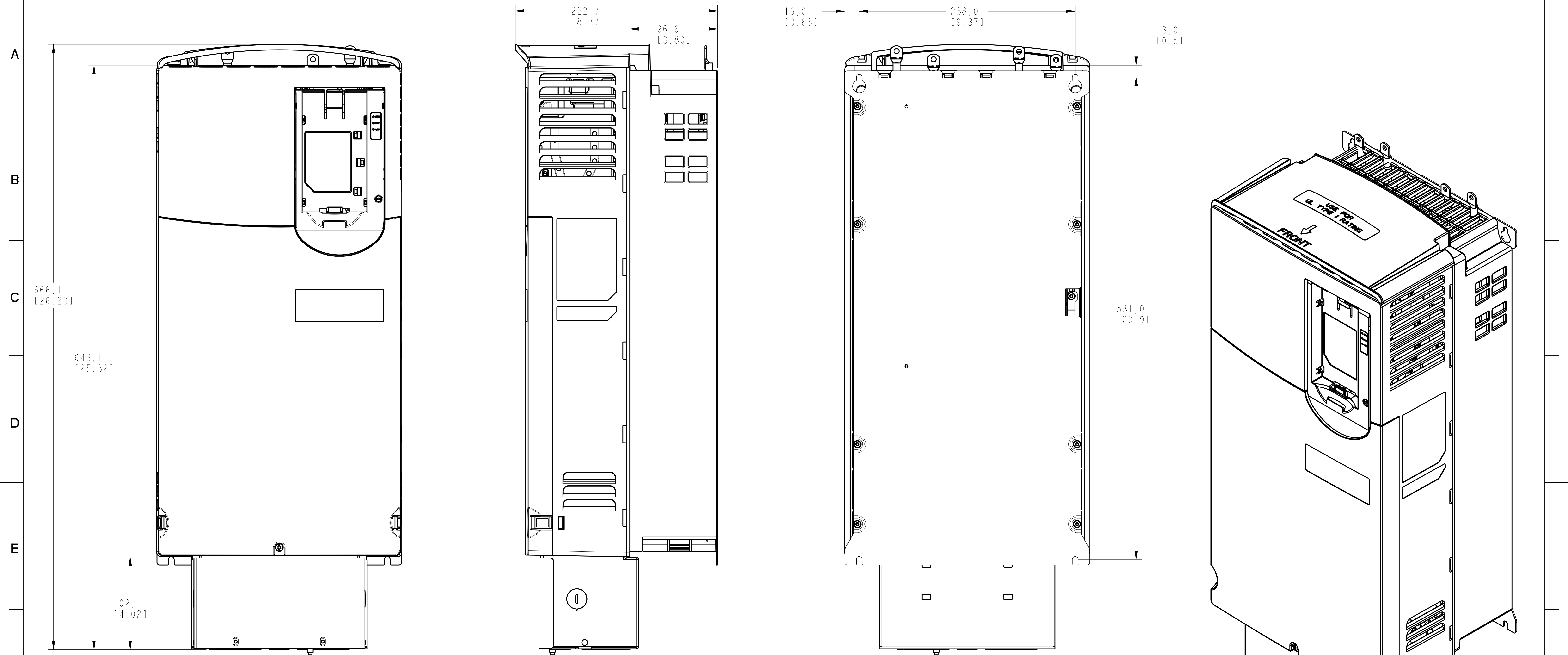
IP20, NEMA/UL TYPE OPEN



IP20, NEMA/UL TYPE OPEN

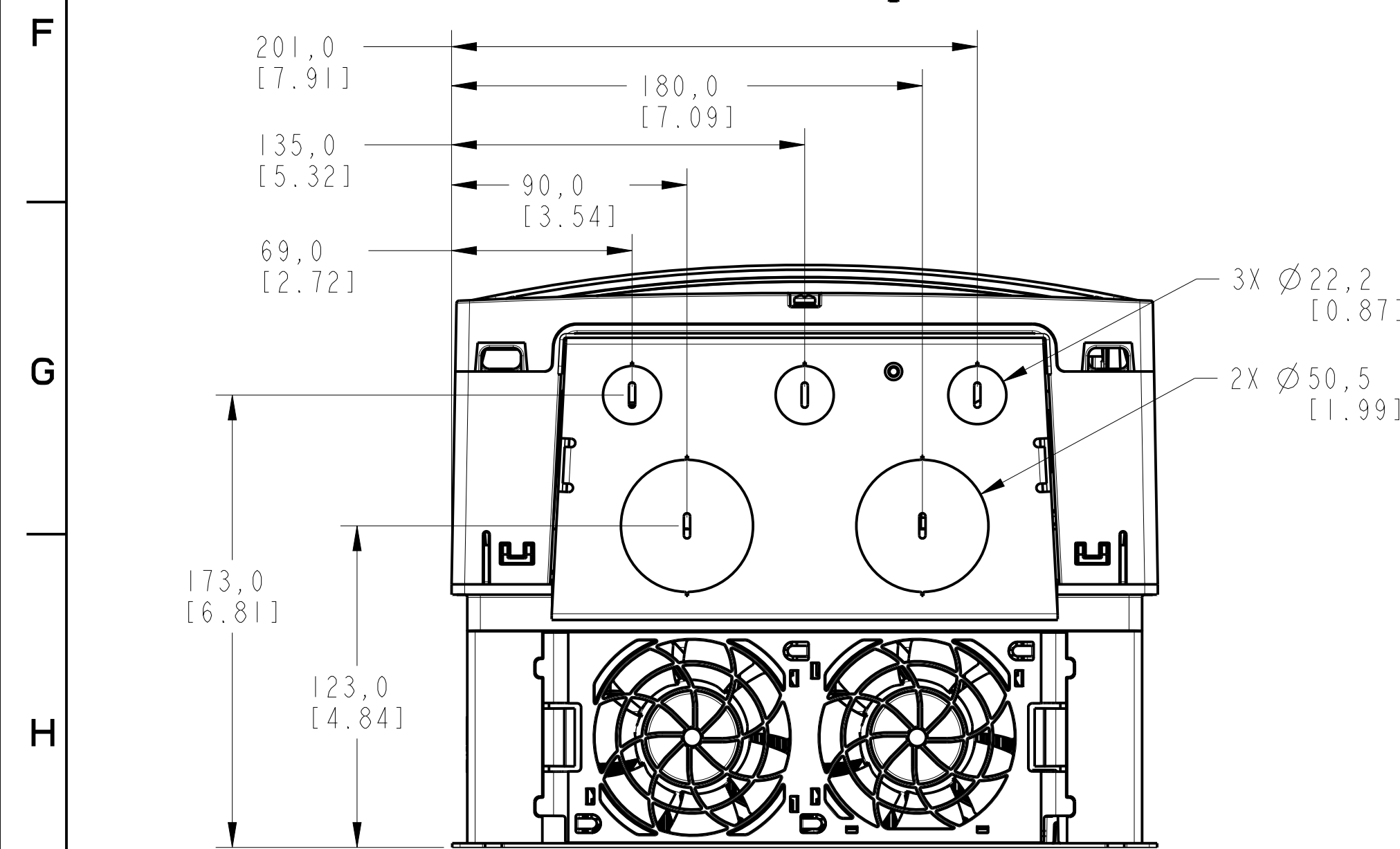
		<small>CONFIDENTIAL AND PROPRIETARY INFORMATION THIS DOCUMENT CONTAINS CONFIDENTIAL AND PROPRIETARY INFORMATION OF ROCKWELL AUTOMATION, INC. AND MAY NOT BE USED, COPIED OR DISCLOSED TO OTHERS, EXCEPT WITH THE AUTHORIZED WRITTEN PERMISSION OF ROCKWELL AUTOMATION, INC.</small>	
		Sheet 1 Of 4	
STANDARD PF750-FRAME-5-IP20		Size D	Ver 07
Drawn by: RGU01		Date: FEB-03-2016	

1 2 3 4 5 6 7 8



SCALE 0.500

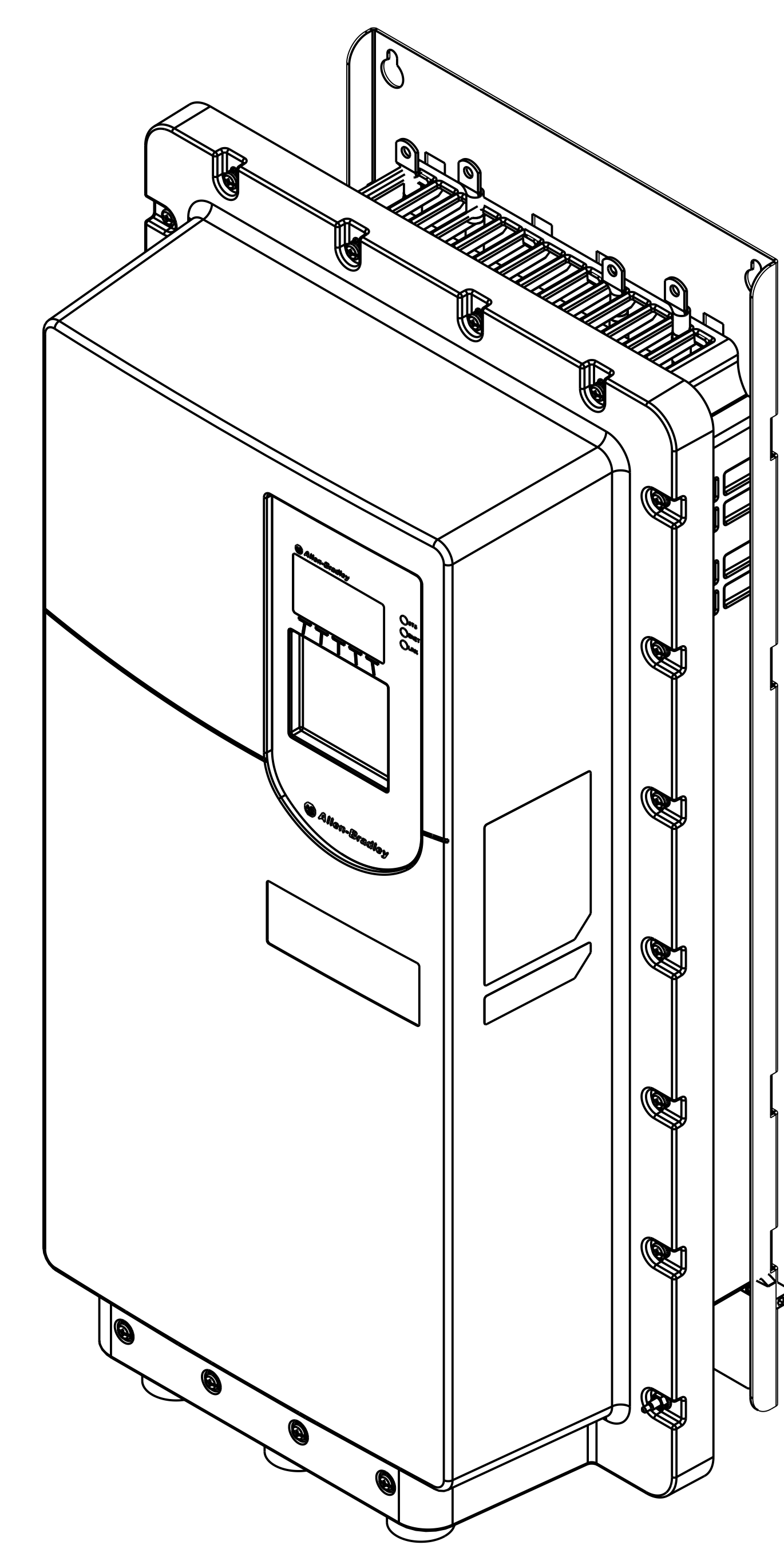
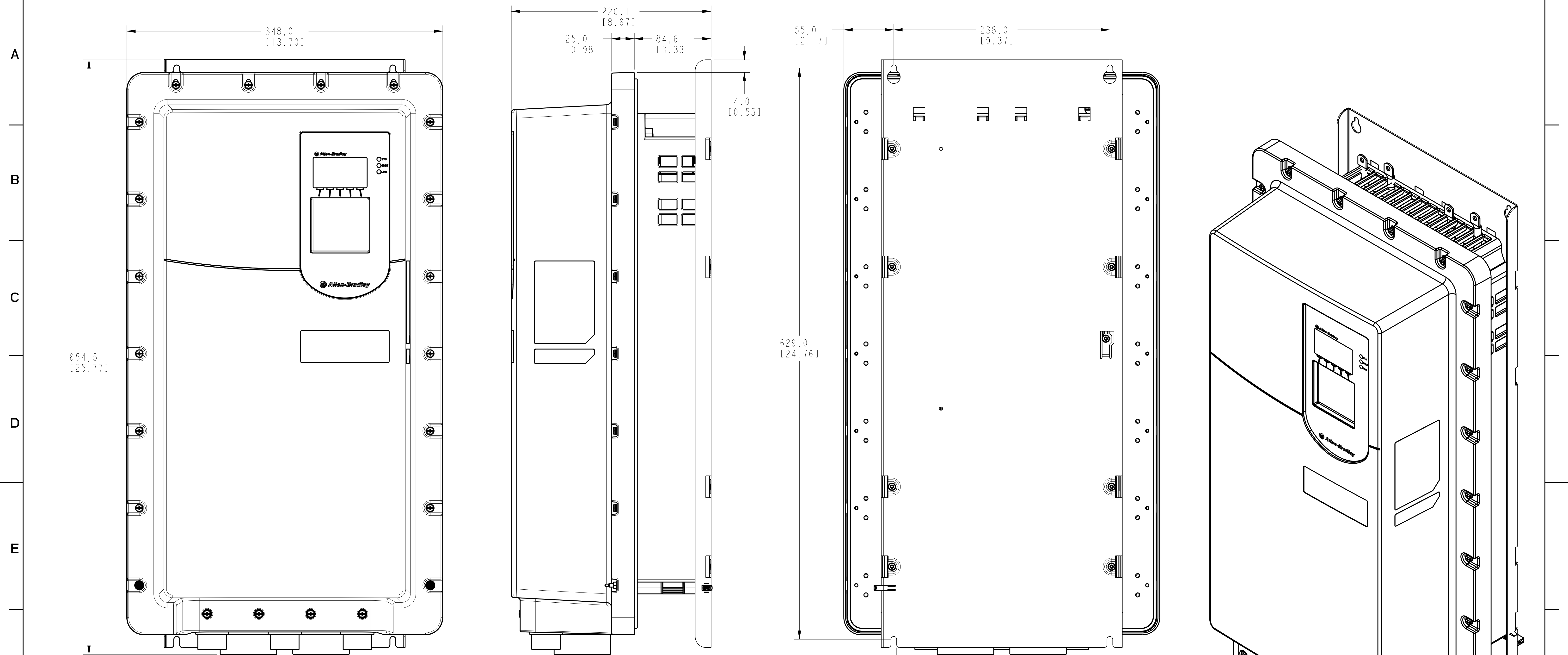
NEMA/UL TYPE1



NEMA/UL TYPE1

		<small>CONFIDENTIAL AND PROPRIETARY INFORMATION. THIS DOCUMENT CONTAINS CONFIDENTIAL AND PROPRIETARY INFORMATION OF ROCKWELL AUTOMATION, INC. AND MAY NOT BE USED, COPIED OR DISCLOSED TO OTHERS, EXCEPT WITH THE AUTHORIZED WRITTEN PERMISSION OF ROCKWELL AUTOMATION, INC.</small>	
		Sheet 2 Of 4	
STANDARD PF750-FRAME-5-TYPE1		Size D	Ver 07
Drawn by: RGU01	Date: FEB-03-2016	357128-6	

1 2 3 4 5 6 7 8

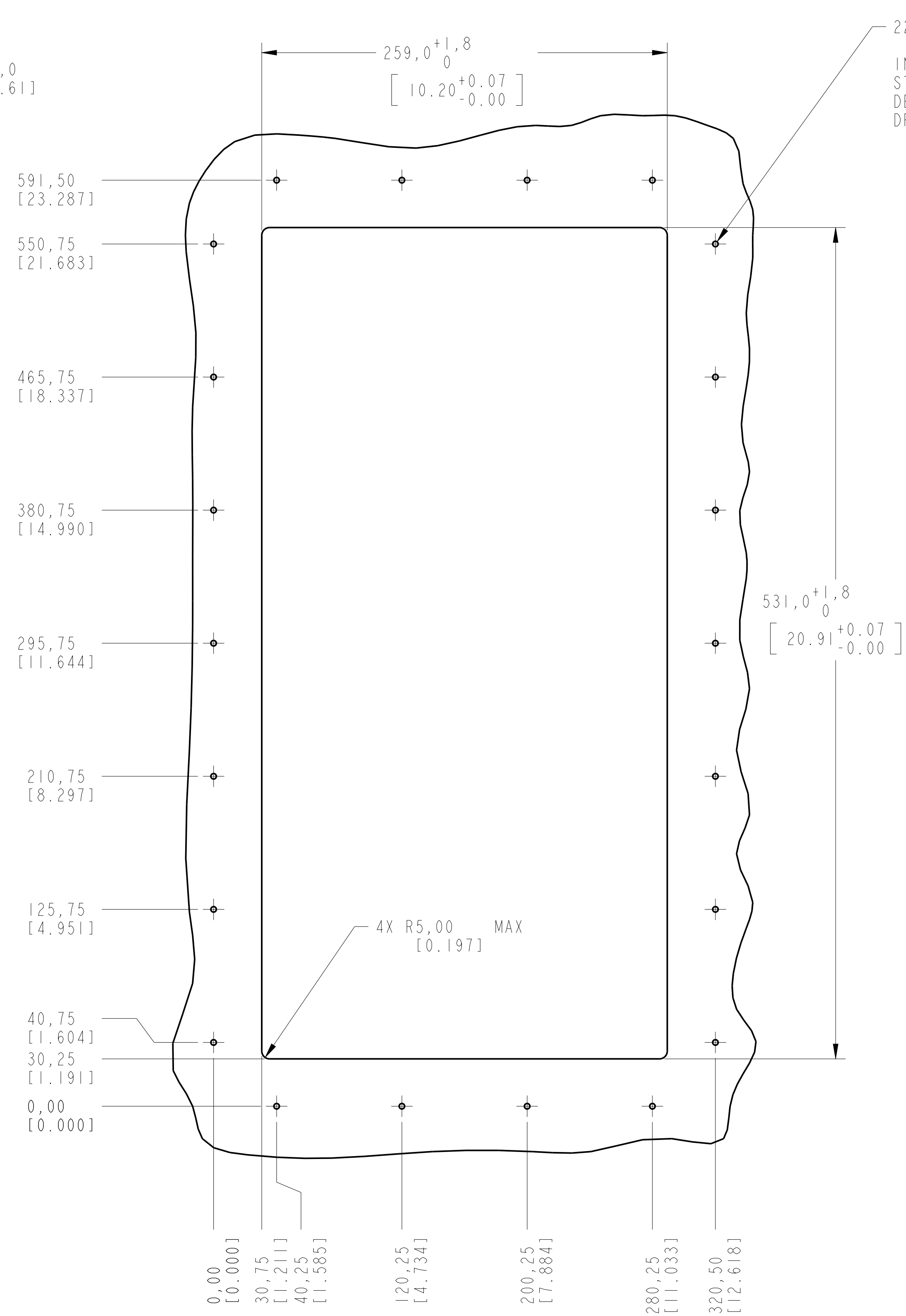
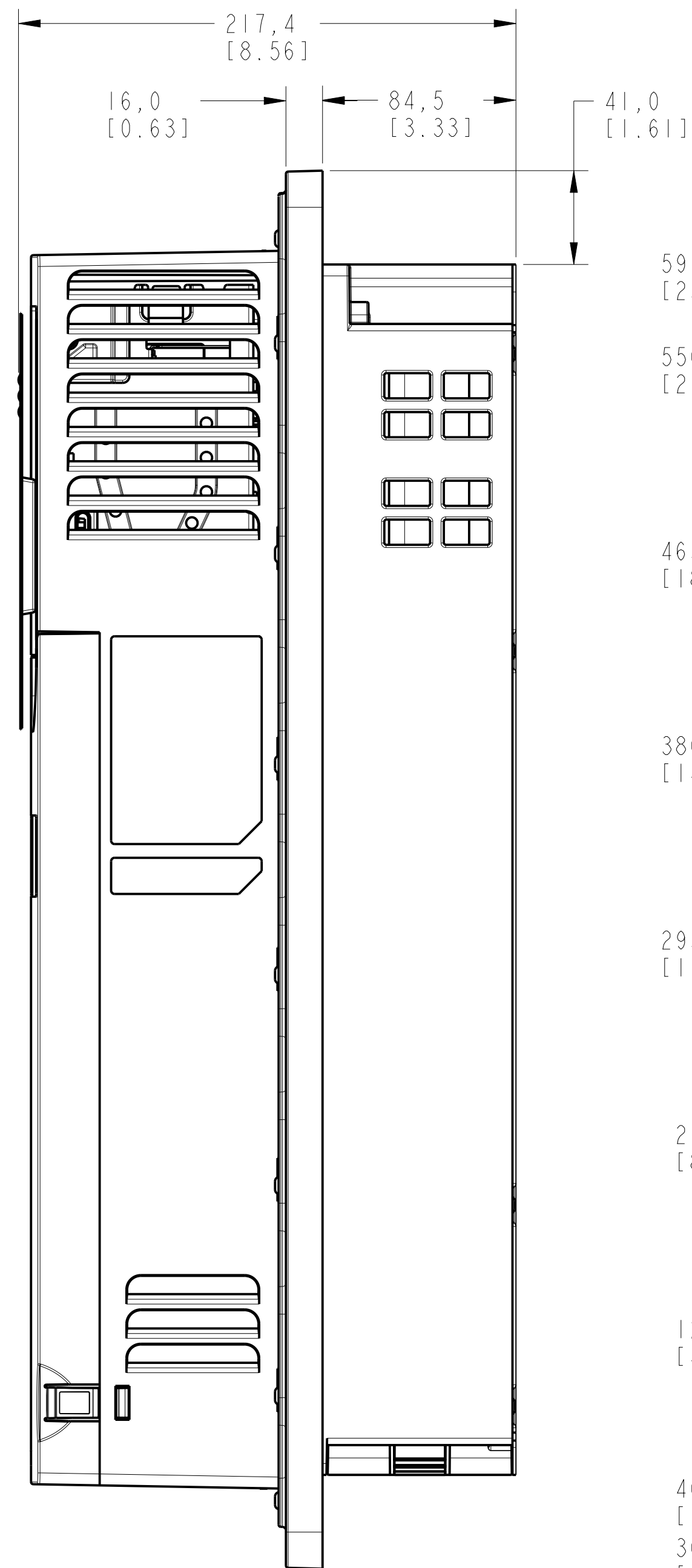
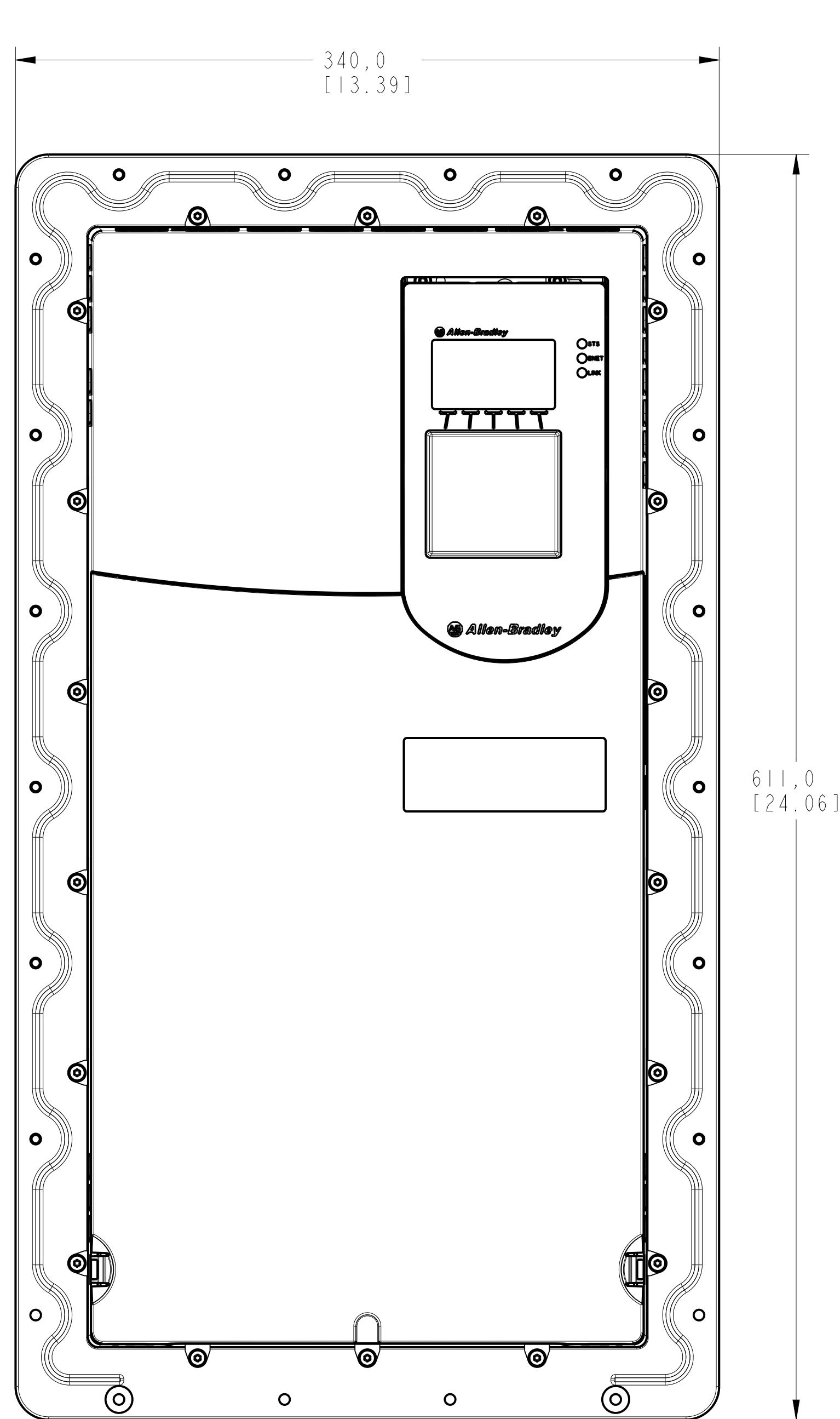


SCALE 0.500

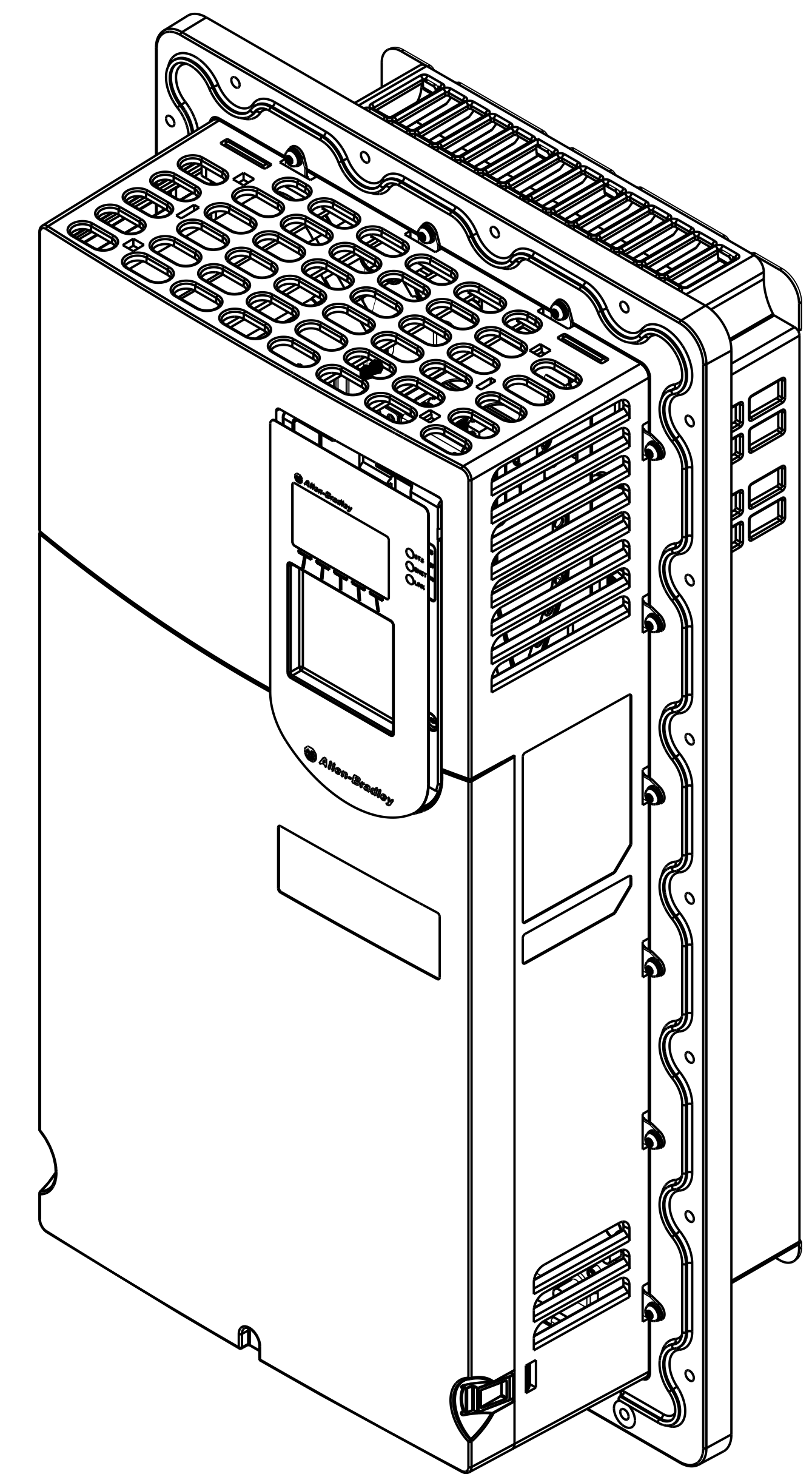
NEMA/UL TYPE12

NEMA/UL TYPE12

		<small>CONFIDENTIAL AND PROPRIETARY INFORMATION. THIS DOCUMENT CONTAINS CONFIDENTIAL AND PROPRIETARY INFORMATION OF ROCKWELL AUTOMATION, INC. AND MAY NOT BE USED, COPIED OR DISCLOSED TO OTHERS, EXCEPT WITH THE AUTHORIZED WRITTEN PERMISSION OF ROCKWELL AUTOMATION, INC.</small>	
		Sheet 3 Of 4	
STANDARD PF750-FRAME-5-TYPE12		Size	Ver
Drawn by: RGU01		Date: FEB-03-2016	D 357128-6 07



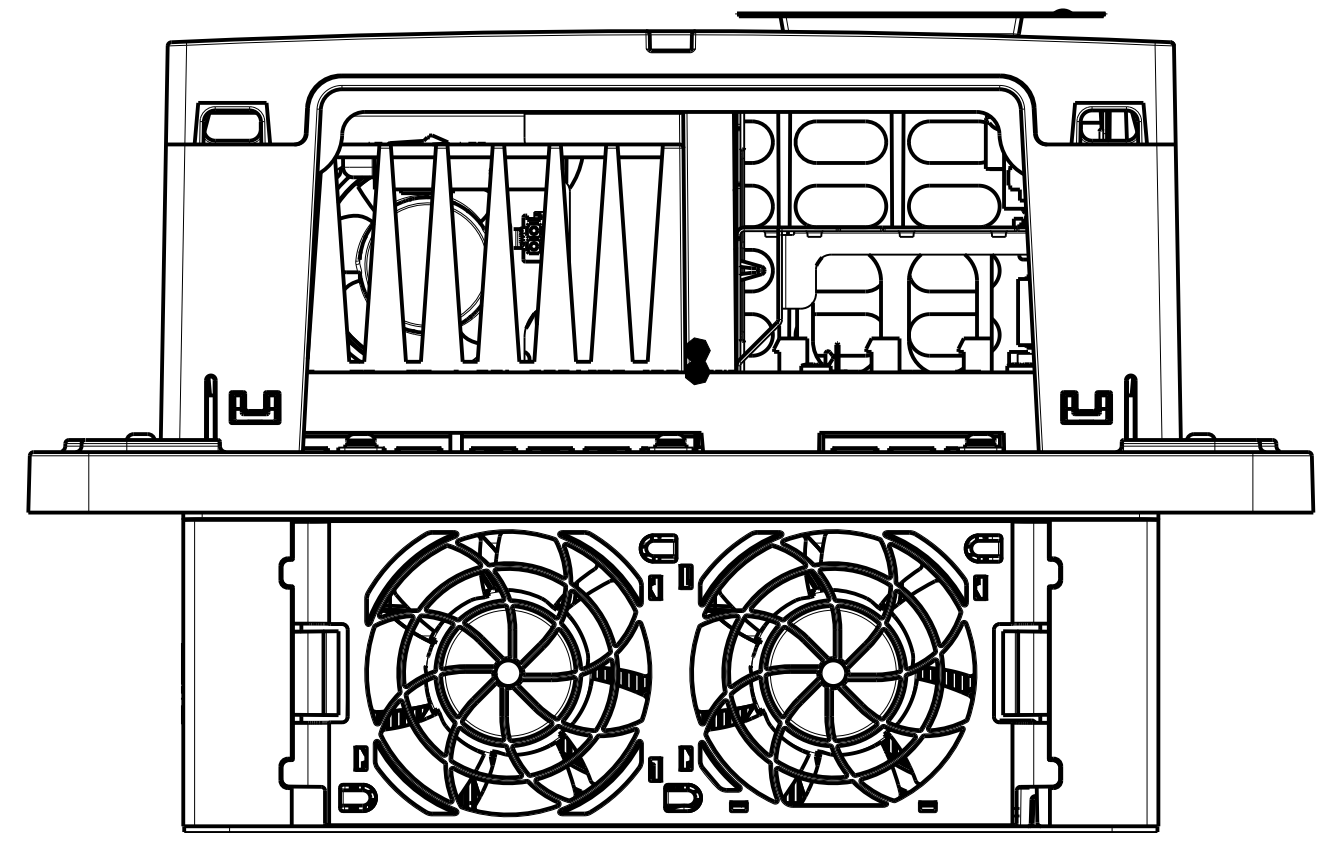
22X Ø3,50
[0.138]
IN MINIMUM 14 GA
STEEL MOUNTING SURFACE.
DEBURR PILOT HOLES AND
DRIVE OPENING.



TYPE 4X, FLANGE DRIVE

SCALE: 0.500
FLANGE MOUNT DRIVE
PANEL CUTOUT

NOTES:
1. MOUNTING HARDWARE SHIPPED WITH FLANGE MOUNT DRIVE.



Rockwell Automation STANDARD PF750-FRAME-5-FLANGE MOUNT		CONFIDENTIAL AND PROPRIETARY INFORMATION. THIS DOCUMENT CONTAINS CONFIDENTIAL AND PROPRIETARY INFORMATION OF ROCKWELL AUTOMATION, INC. AND MAY NOT BE USED, COPIED OR DISCLOSED TO OTHERS, EXCEPT WITH THE AUTHORIZED WRITTEN PERMISSION OF ROCKWELL AUTOMATION, INC.	
		Sheet 4 Of 4	Ver
Drawn by: RGUOI	Date: FEB-03-2016	D	357128-6
			07