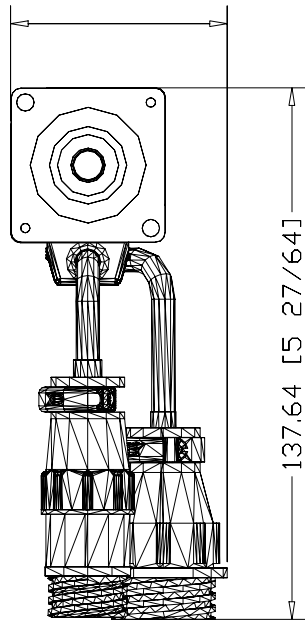


56.12 [2 13/64]



TLY-A130T-HK64AA
Servo Motor, NEMA 17,
6000 rpm, Incremental
Encoder (2000 lines), IP65
housing, w/Brake

