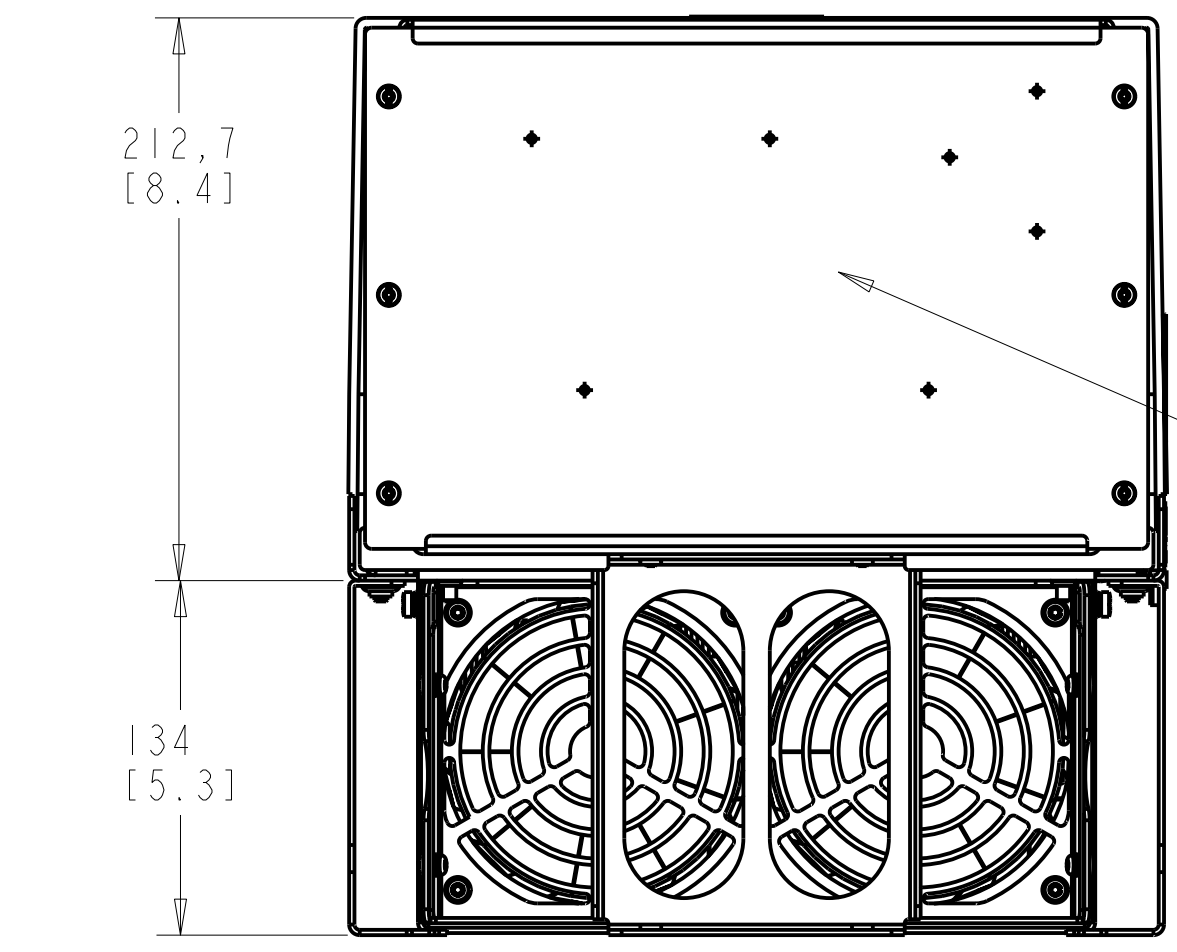
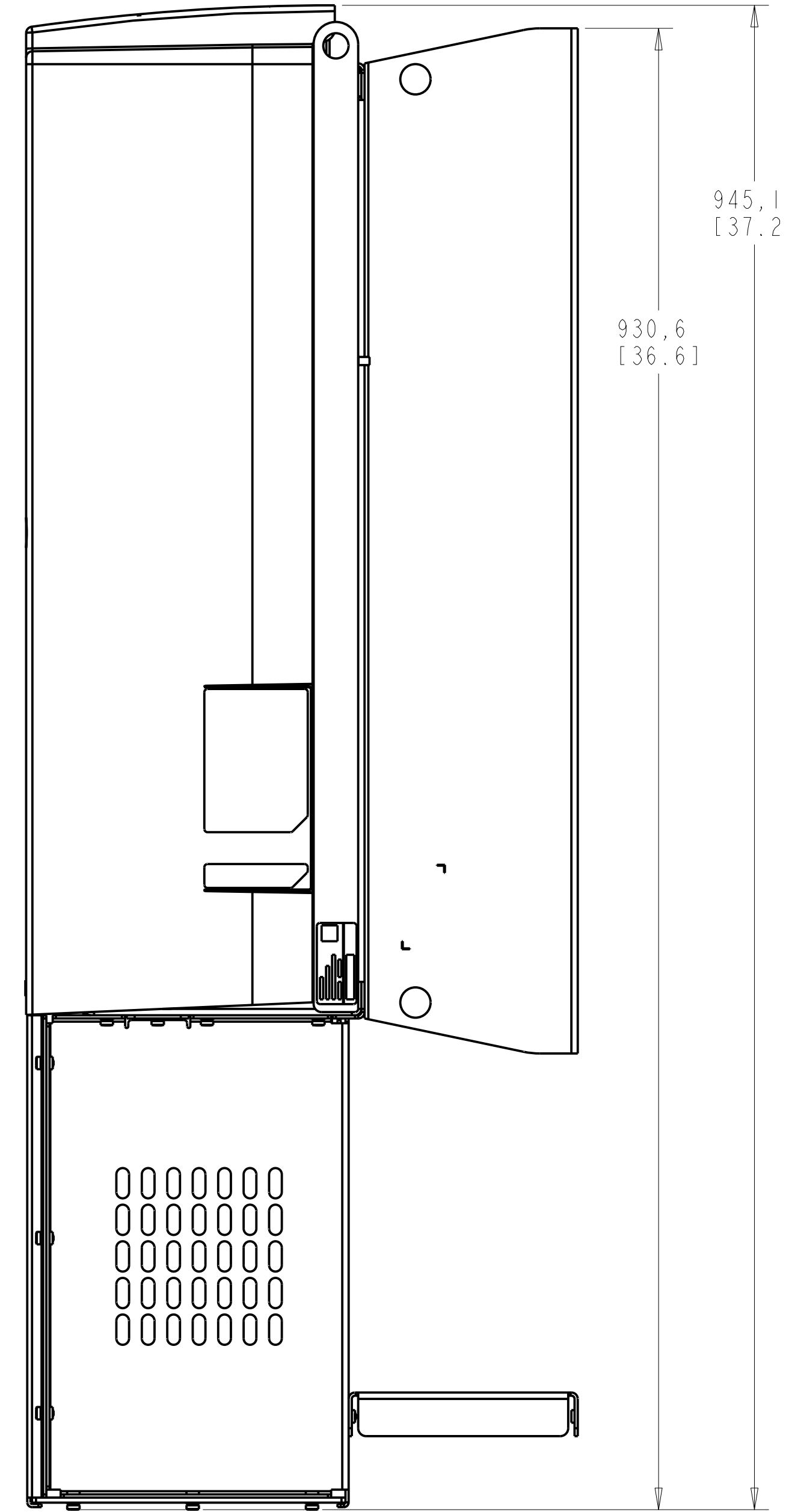
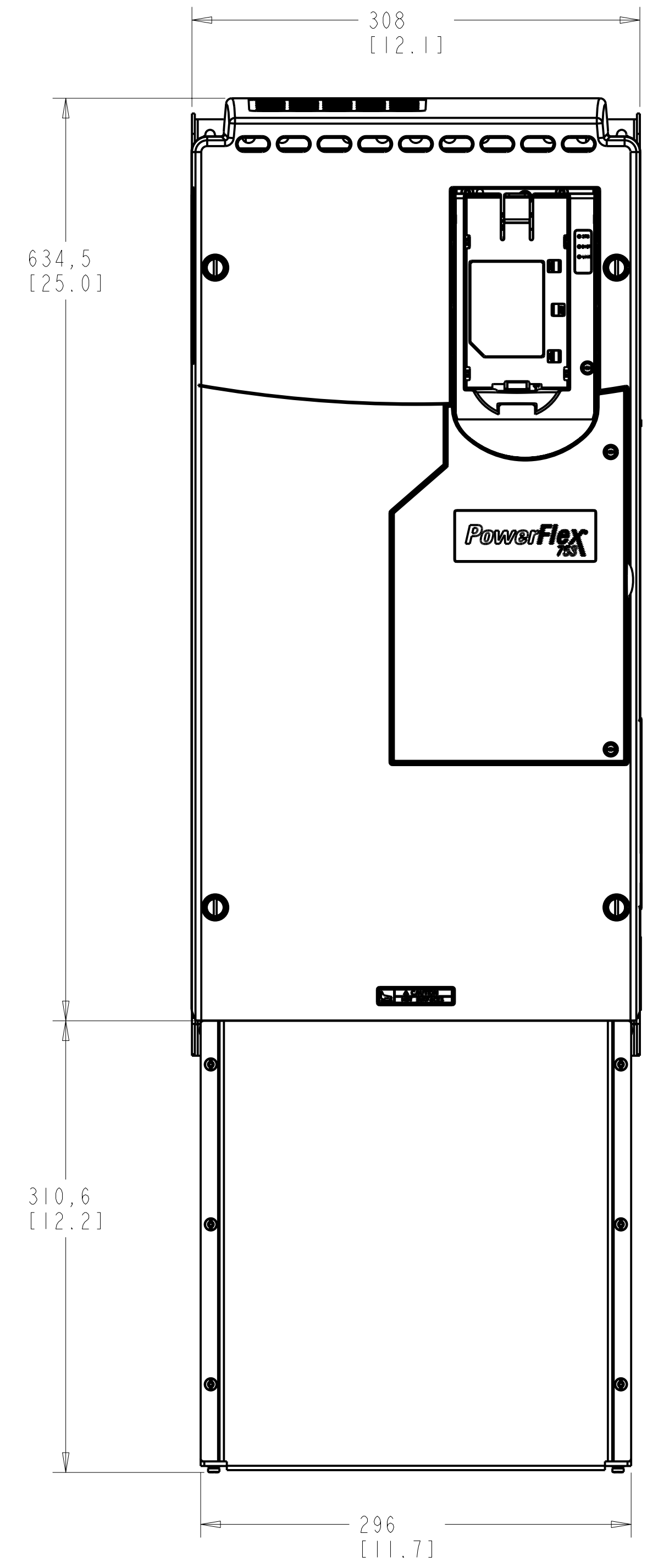


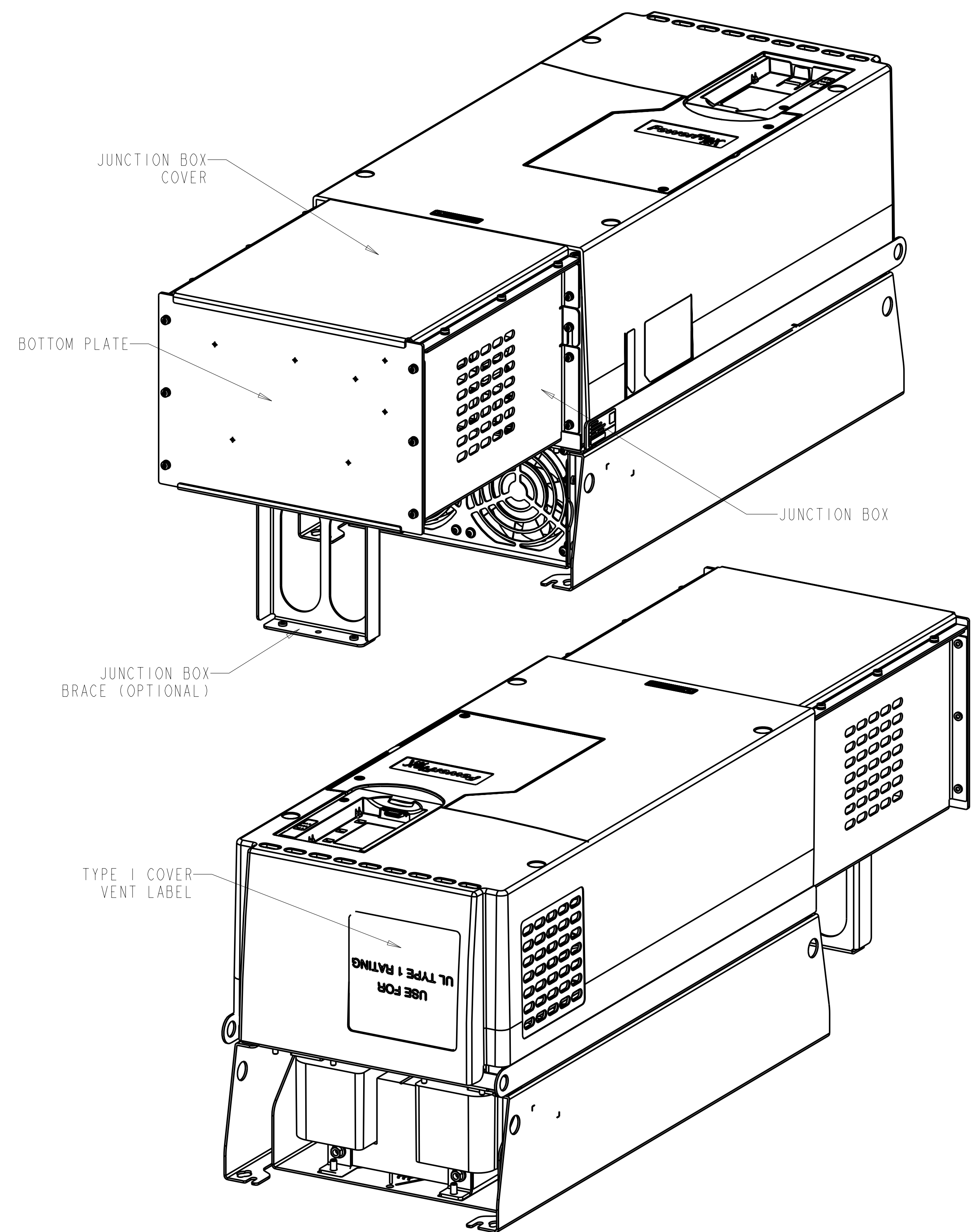
OPEN DRIVE - ACCESS COVER AND HIM BEZEL REMOVED

OPEN DRIVE ALL COVERS REMOVED

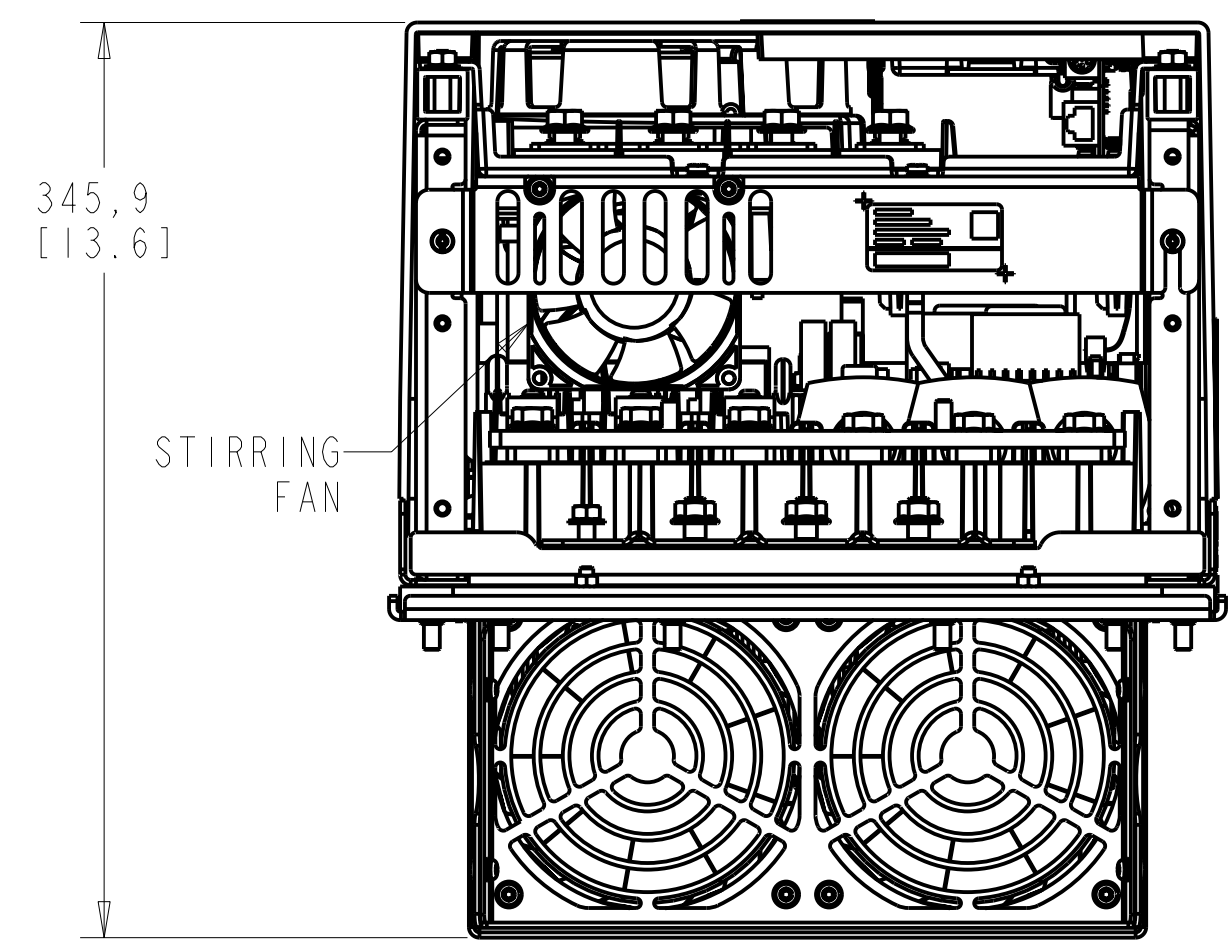
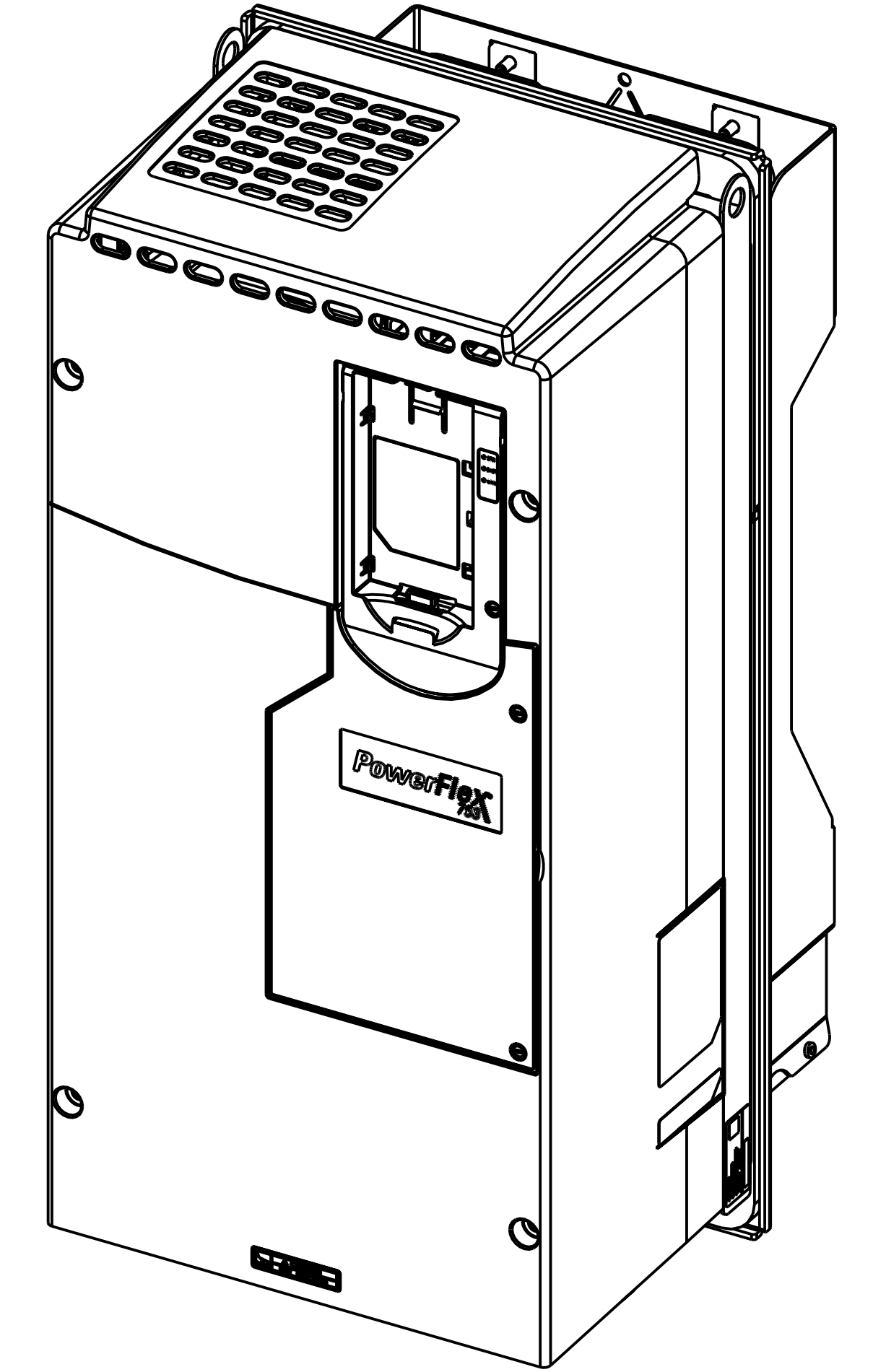
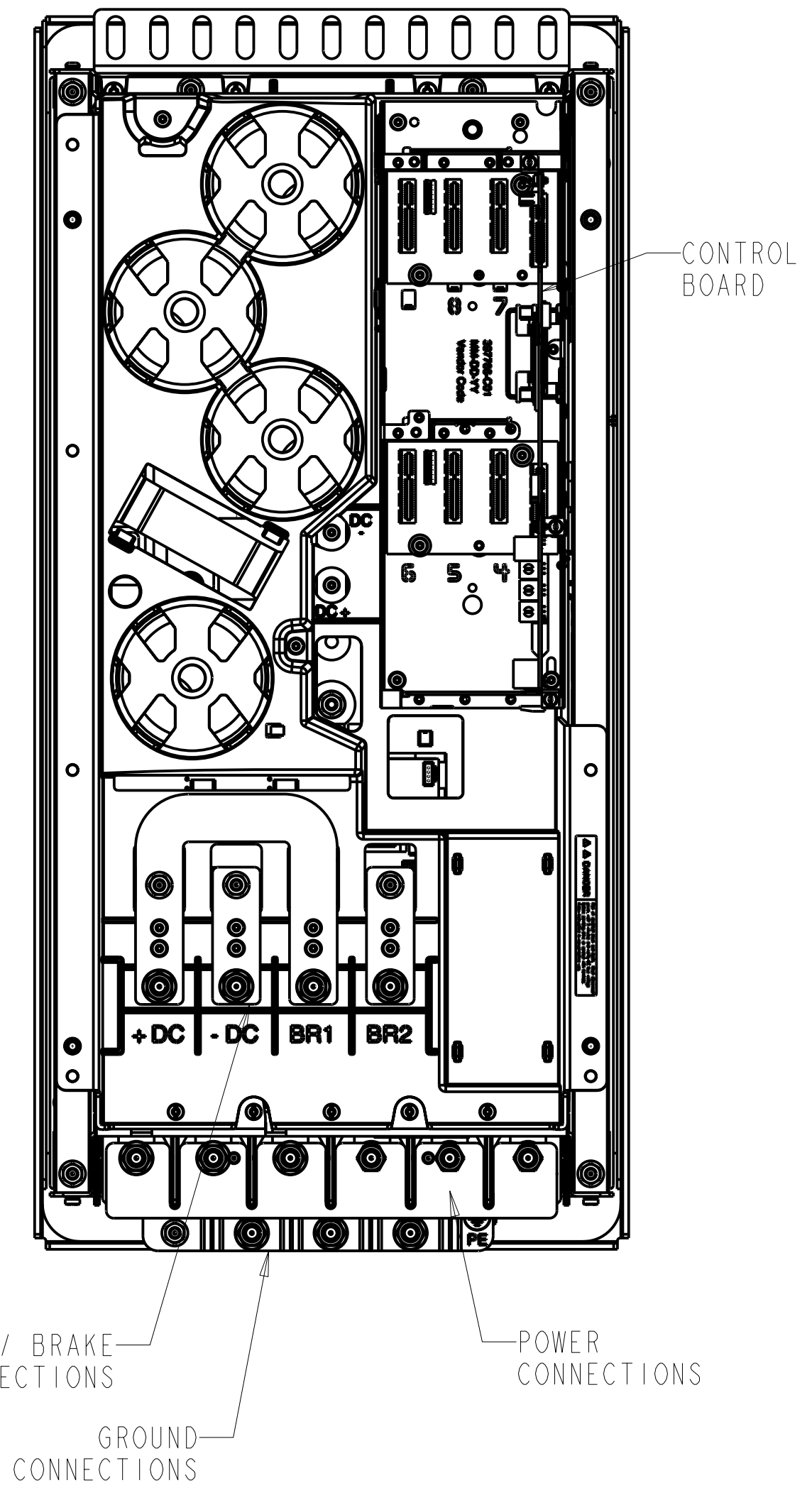
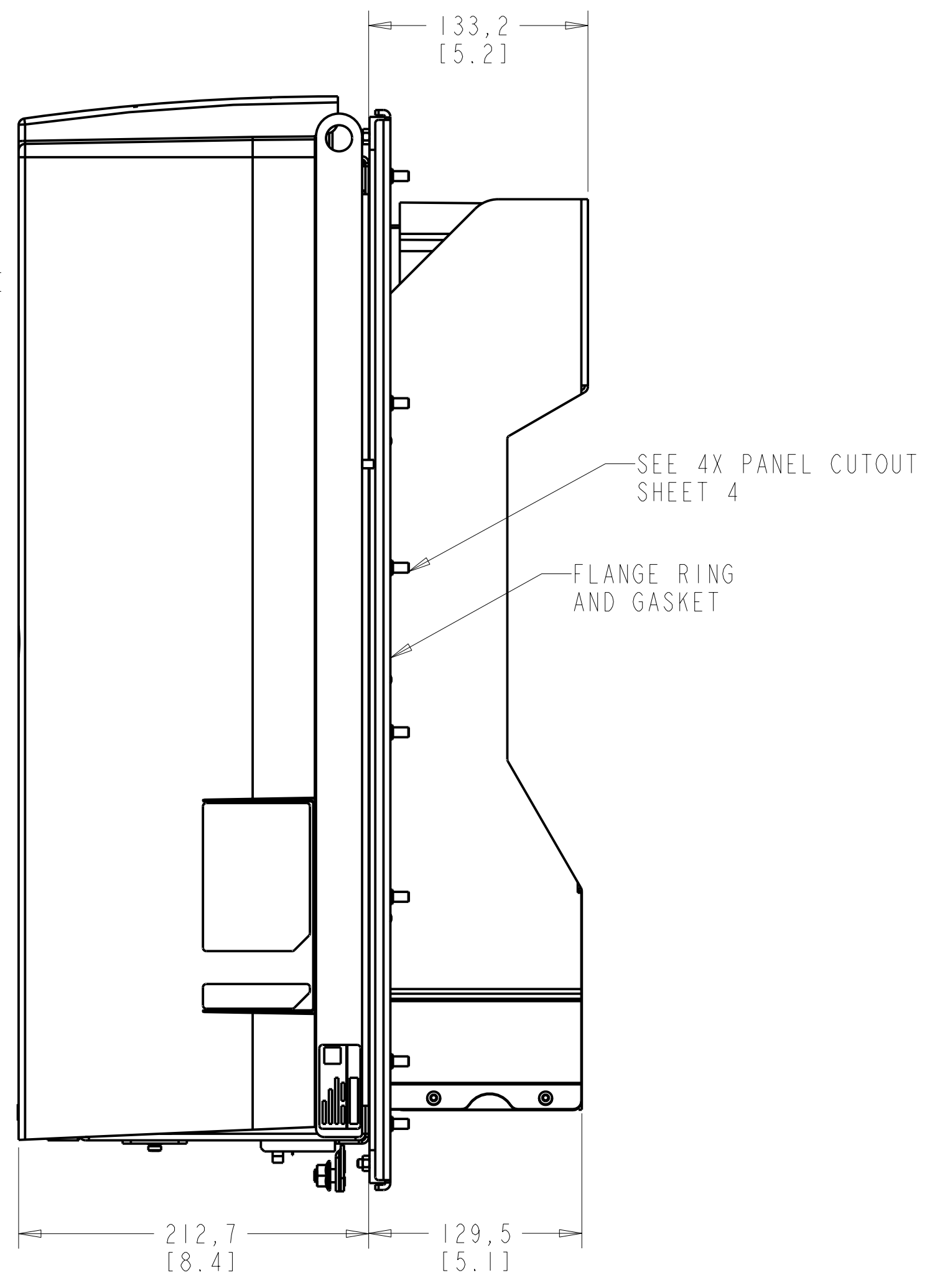
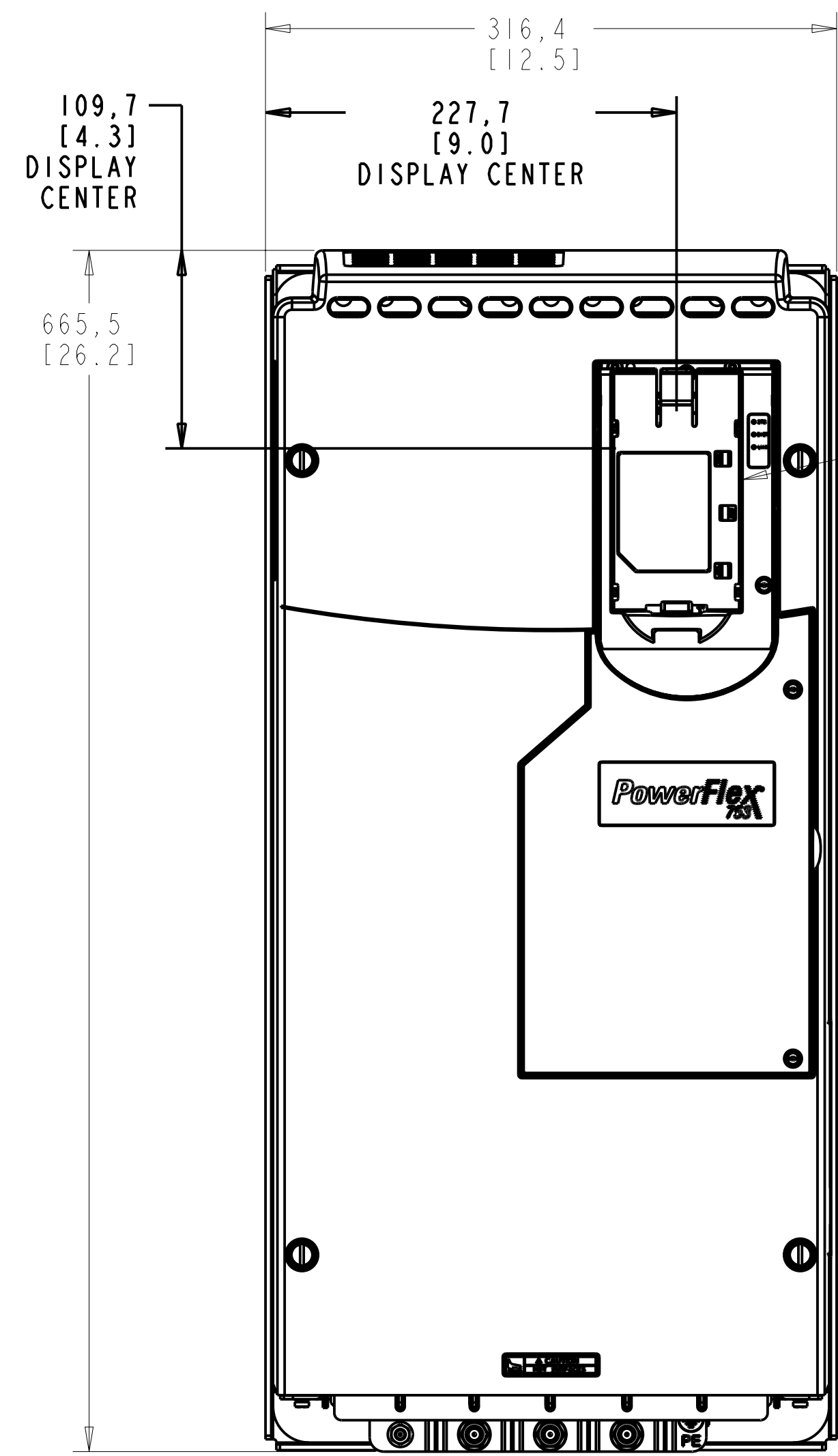
OPEN DRIVE DIMENSIONS



BLANK BOTTOM PLATE WITH KNOCKOUT CENTERS MARKED.
 CUSTOMERS CAN USE THE LOCATIONS SHOWN OR CREATE A CUSTOM KNOCKOUT LAYOUT PER REQUIREMENTS.



**TYPE 1 OVERALL DRIVE DIMENSIONS
 (USE TYPE 0 PANEL MOUNTING
 DIMENSIONS ON PAGE 1)**



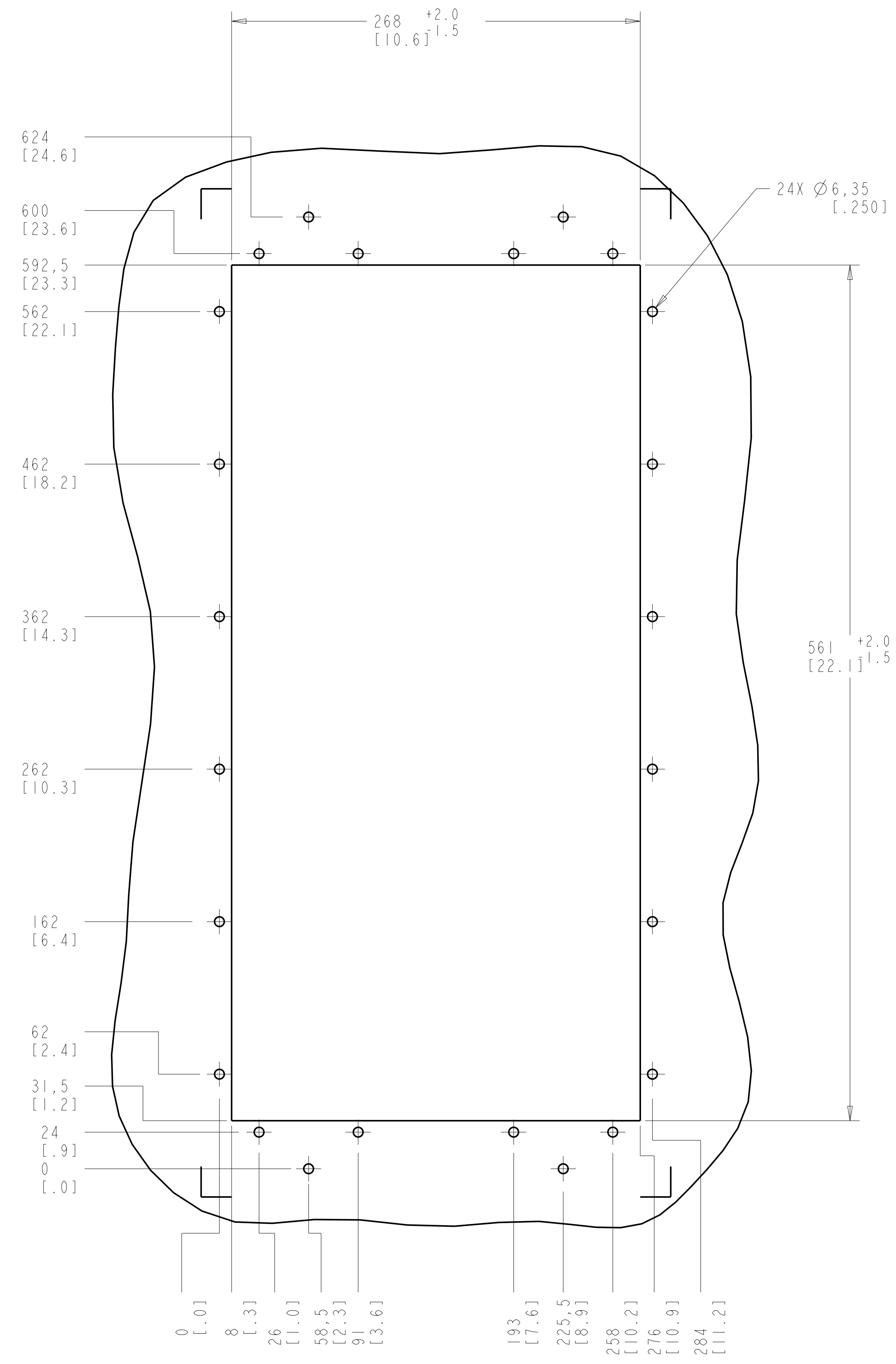
**TYPE 4X/IP66 FLANGE MOUNT DRIVE
WITH ALL COVERS REMOVED**

**TYPE 4X/IP66 FLANGE MOUNT
DRIVE DIMENSIONS**

Rockwell Automation		<small>CONFIDENTIAL AND PROPRIETARY INFORMATION. THIS DOCUMENT CONTAINS CONFIDENTIAL AND PROPRIETARY INFORMATION OF ROCKWELL AUTOMATION, INC. AND MAY NOT BE USED, COPIED OR DISCLOSED TO OTHERS, EXCEPT WITH THE AUTHORIZED WRITTEN PERMISSION OF ROCKWELL AUTOMATION, INC.</small>	
		Sheet 3 Of 5	
OUTLINE FRAME-6 POWERFLEX 750 SERIES		Size D	Part No. 357129-6
Drawn by: P.HALPIN Date: 10-26-09		Ver 02	

1 2 3 4 5 6 7 8

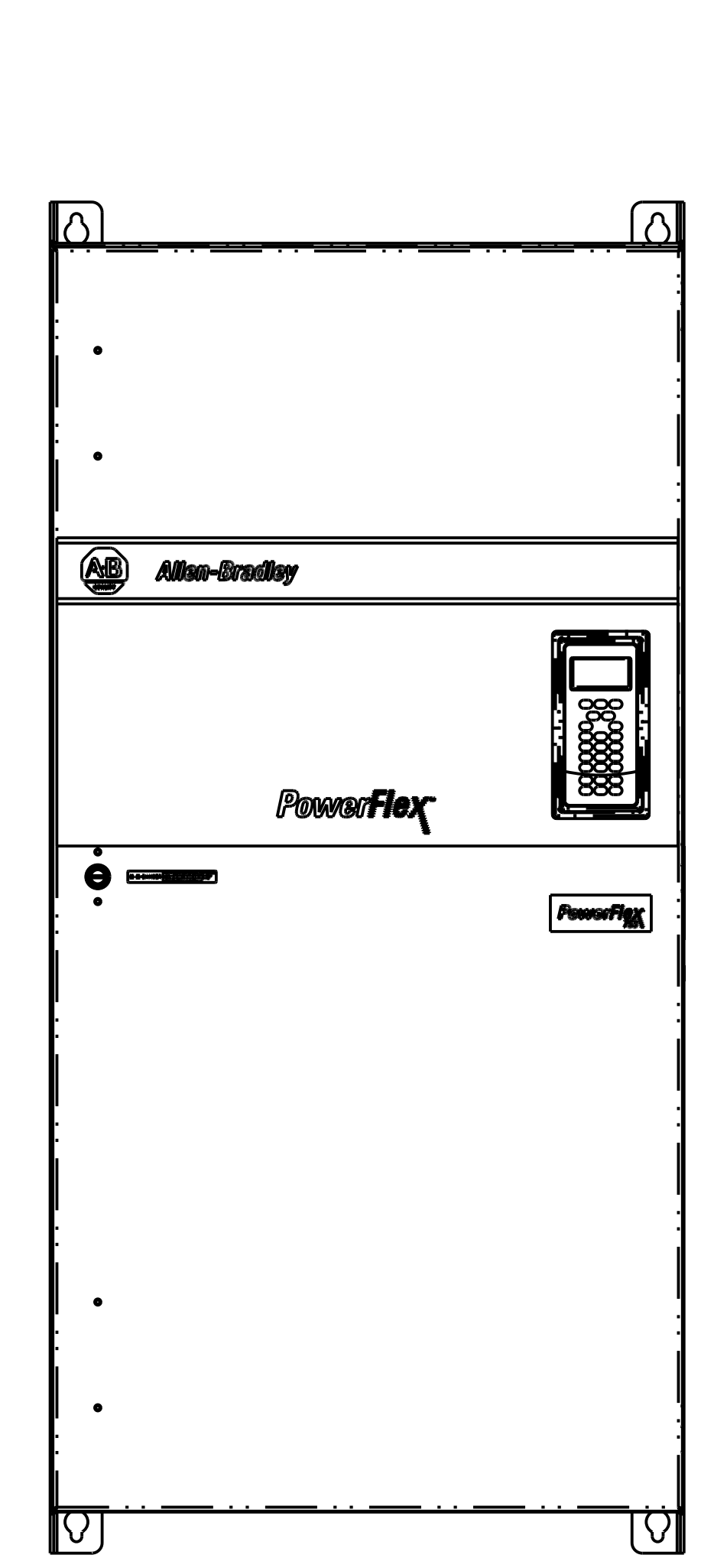
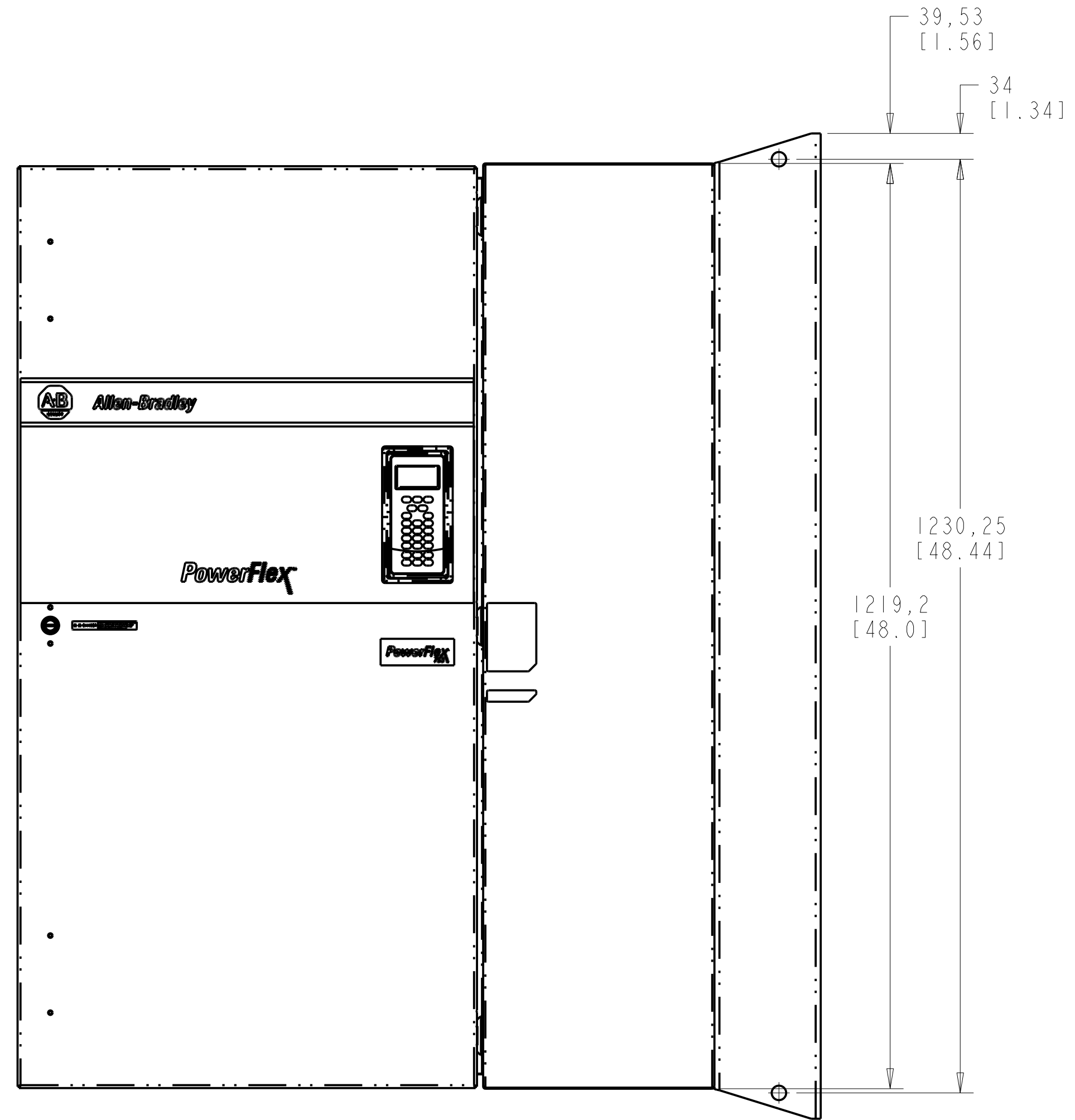
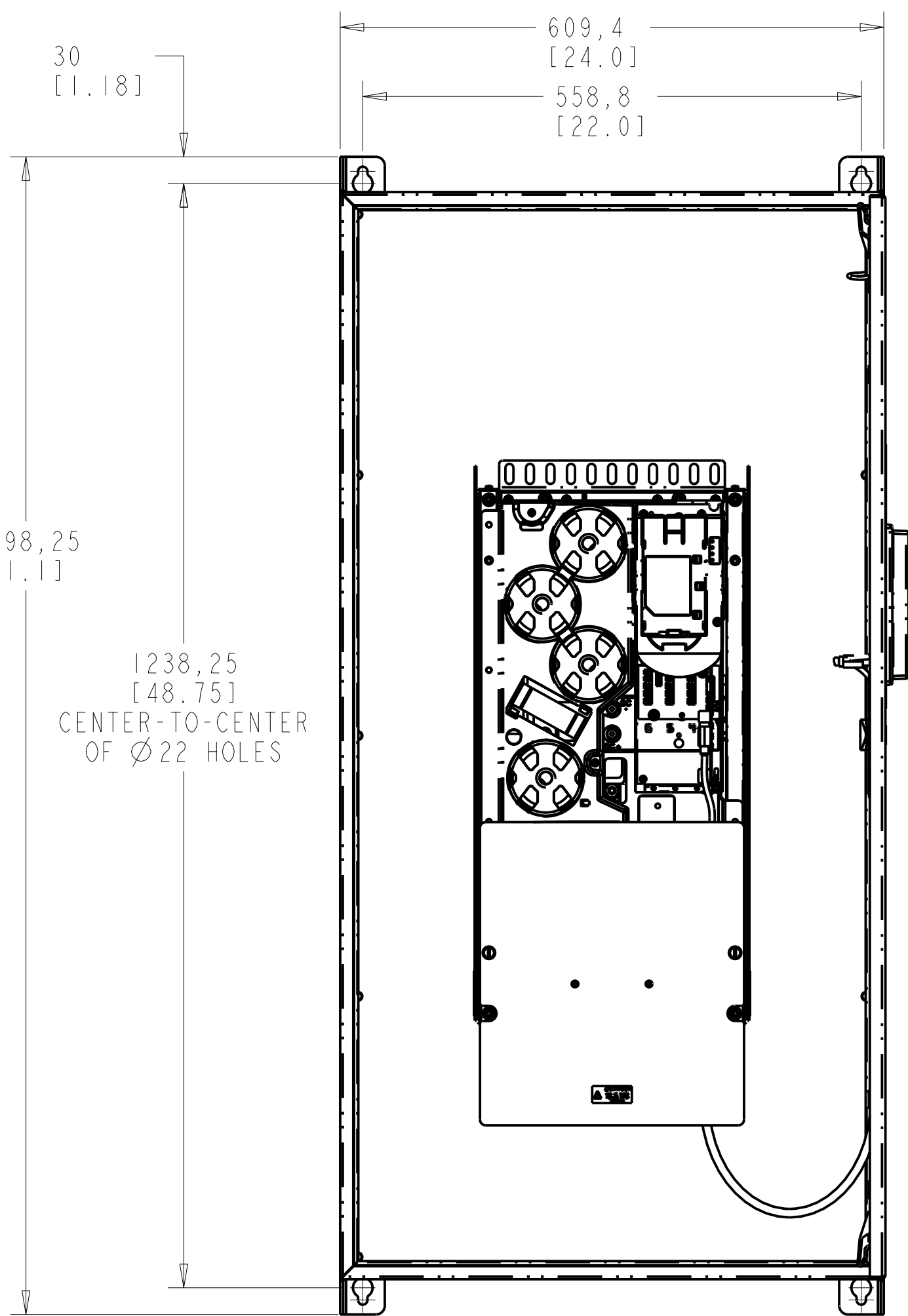
A
B
C
D
E
F
G
H



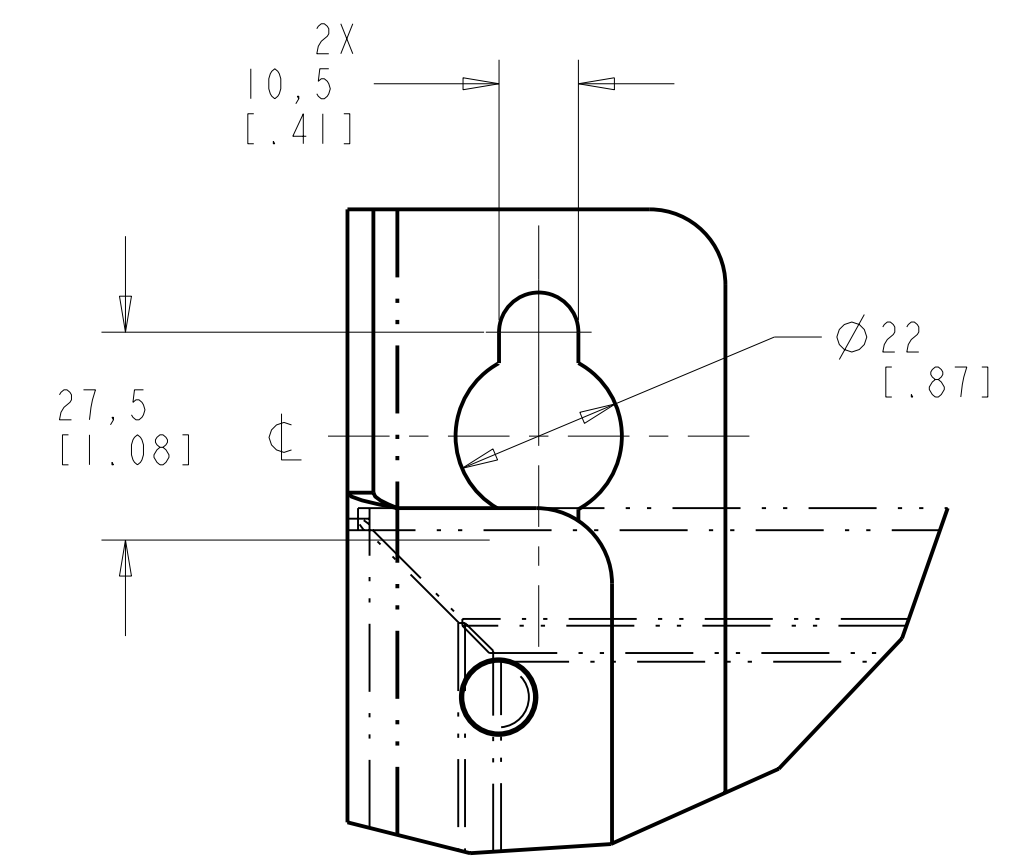
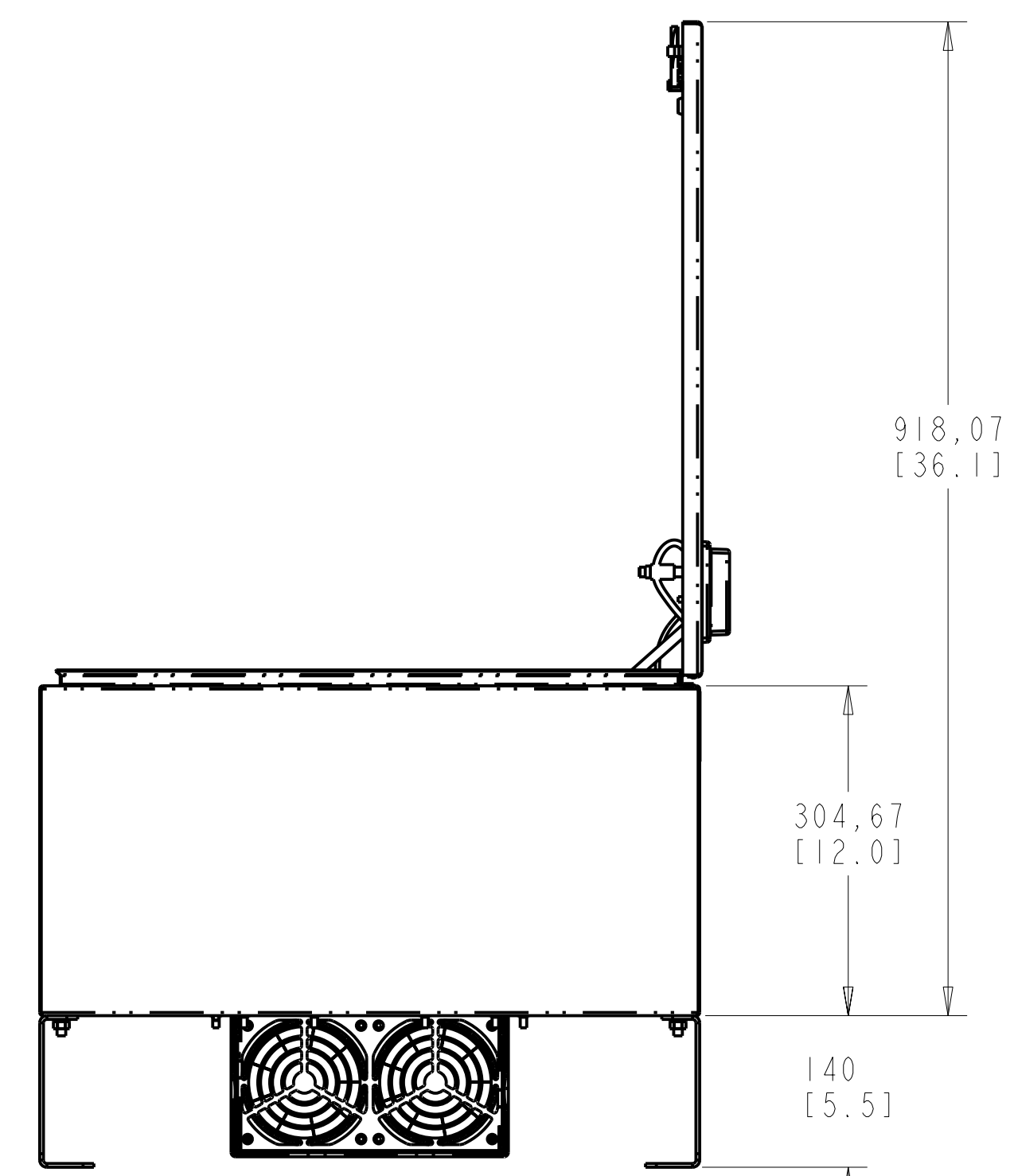
TYPE 4X/IP66 FLANGE MOUNT PANEL CUTOUT

- NOTES:
1. MOUNTING HARDWARE SHIPPED WITH FLANGE KIT.
 2. TYPICAL PANEL GAUGE RANGE IS 7 - 16. ANY OTHER PANEL THICKNESS COULD RESULT IN USING DIFFERENT LENGTH M5 X 0.8 MOUNTING SCREWS.

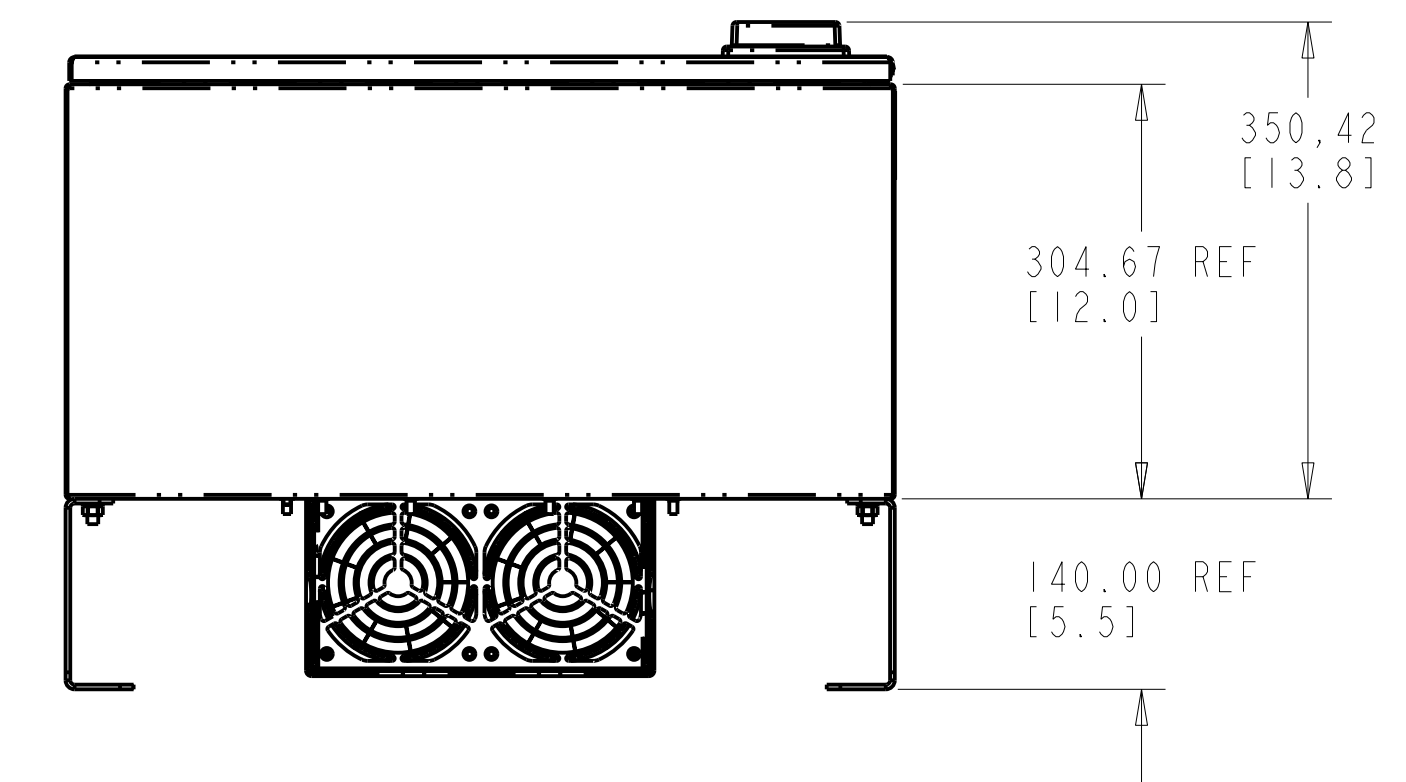
Rockwell Automation		<small>CONFIDENTIAL AND PROPRIETARY INFORMATION. THIS DOCUMENT CONTAINS CONFIDENTIAL AND PROPRIETARY INFORMATION OF ROCKWELL AUTOMATION, INC. AND MAY NOT BE USED, COPIED OR DISCLOSED TO OTHERS, EXCEPT WITH THE AUTHORIZED WRITTEN PERMISSION OF ROCKWELL AUTOMATION, INC.</small>	
		Sheet 4 Of 5	
OUTLINE FRAME-6 POWERFLEX 750 SERIES		Size D	Ver 02
Drawn by: P.HALPIN Date: 10-26-09		357129-6	



**NEMA TYPE-12
DRIVE DIMENSIONS
DOOR OPEN**



ENCLOSURE MOUNTING
TYPICAL 4-PLACES
SCALE 1.000



**NEMA TYPE-12
DRIVE DIMENSIONS
DOOR CLOSED**

Rockwell Automation OUTLINE FRAME-6 POWERFLEX 750 SERIES		CONFIDENTIAL AND PROPRIETARY INFORMATION THIS DOCUMENT CONTAINS CONFIDENTIAL AND PROPRIETARY INFORMATION OF ROCKWELL AUTOMATION, INC. AND MAY NOT BE USED, COPIED OR DISCLOSED TO OTHERS, EXCEPT WITH THE AUTHORIZED WRITTEN PERMISSION OF ROCKWELL AUTOMATION, INC.	
		Sheet 5 Of 5	Ver
Drawn by: P.HALPIN	Date: 10-26-09	D	357129-6
			02