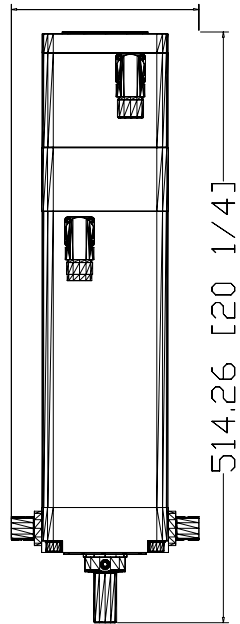
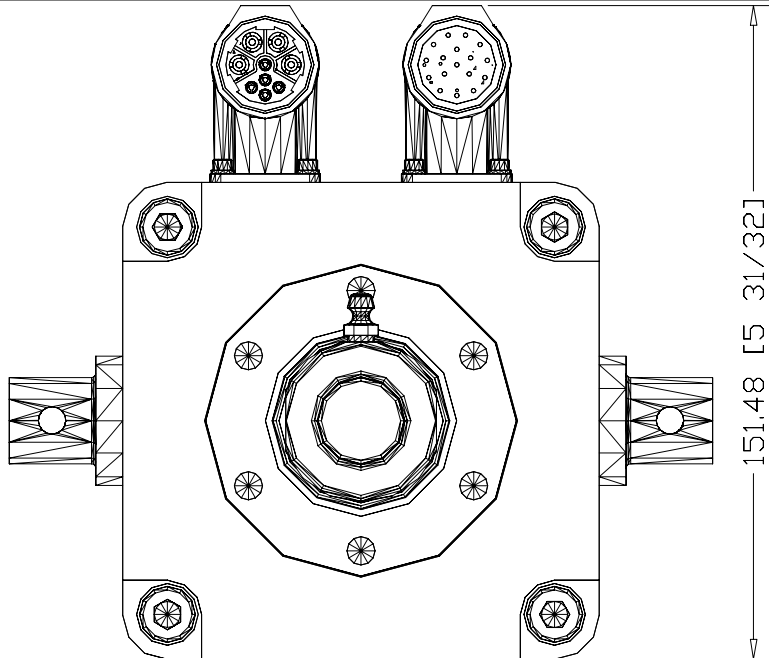


163.13 [6 27/64]



514.26 [20 1/4]



151.48 [5 31/32]

MPAI-x4150xM34B
MP Series Heavy Duty
Electric Cylinder, 110 mm
Trunnion Mt., 150mm
stroke, 230V/460V Servo,
Ball/Roller Screw w/Brake

