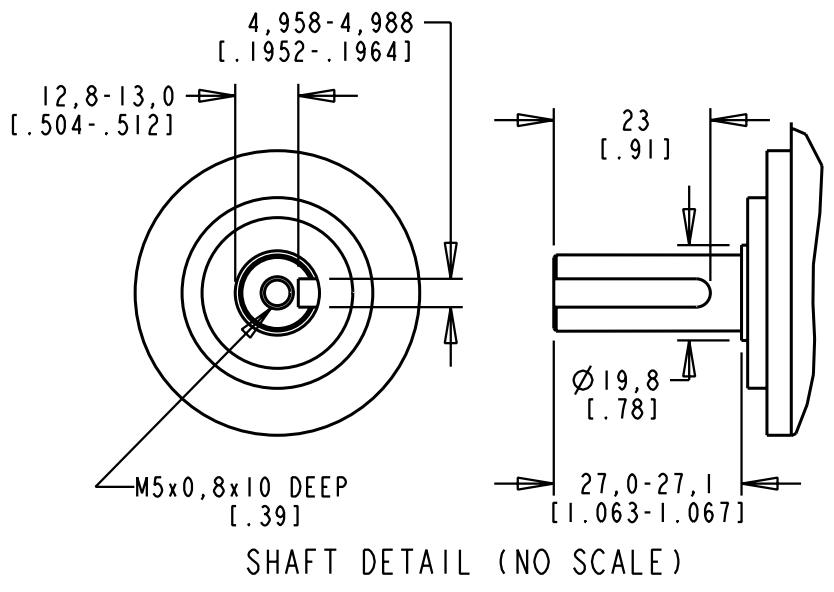


KEY SUPPLIED
 5+0, -0,030 x
 5+0, -0,030 x
 20

OPTIONAL SHAFT SEAL
 Ø 30xØ 19,8x5

ENCODER CONNECTOR
 AMP 206152-1 HOUSING
 AMP 206070-8 BACKSHELL
 AMP 1658540-4 PIN CONTACTS

POWER CONNECTOR
 AMP 206705-2 HOUSING
 AMP 206966-7 BACKSHELL
 AMP 66098-9 PIN CONTACTS (U, V, W)
 AMP 164161-4 PIN CONTACT (GROUND)



PIN-OUT		
POWER CONNECTOR		
PIN	FUNCTION	COLOR
1	U	RED
2	V	WHITE
3	W	BLACK
4	-	-
5	GROUND	YELLOW/GREEN

PIN-OUT		
ENCODER CONNECTOR		
PIN	FUNCTION	COLOR
1-5	-	-
6	BAT+	BROWN
7-12	-	-
13	DATA+	BLUE
14	DATA-	BLUE/BLACK
15-21	-	-
22	EPWR 5V	RED
23	ECOM & BAT-	BLACK
24	SHIELD	DRAIN WIRE
25-28	-	-

NOTES:

1. FOR ADDITIONAL SPECIFICATIONS SEE 1000005501, CATALOG NO. TLY-A310M-BJ62AA.

REFERENCES	
VERSION/CHANGE NUMBER	UNLESS OTHERWISE SPECIFIED
00	10003216

DO NOT SCALE DRAWING
 DIMENSIONS ARE IN MILLIMETERS WITH INCHES REFERENCED (X)
 UNTOLERANCED DIMENSIONS ARE REFERENCE
 3RD ANGLE PROJECTION

DESCRIPTION
 TLY-A310M-BJ62AA, ESM

Rockwell Automation

DR. S. JOHNSON | DATE 5/31/07 | SHEET 1 OF 1

DXF 2D OR STEP 3D FILE AVAILABLE

CAD DOCUMENT

Allen-Bradley

DWG. SIZE B | DOCUMENT NUMBER 10000004911