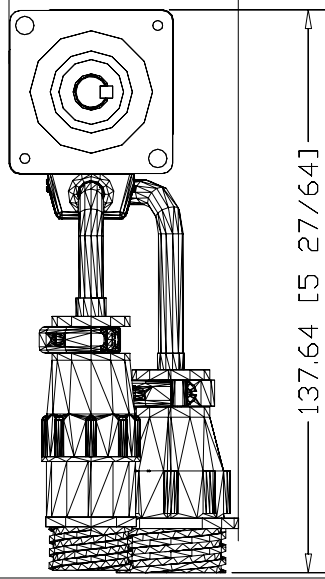
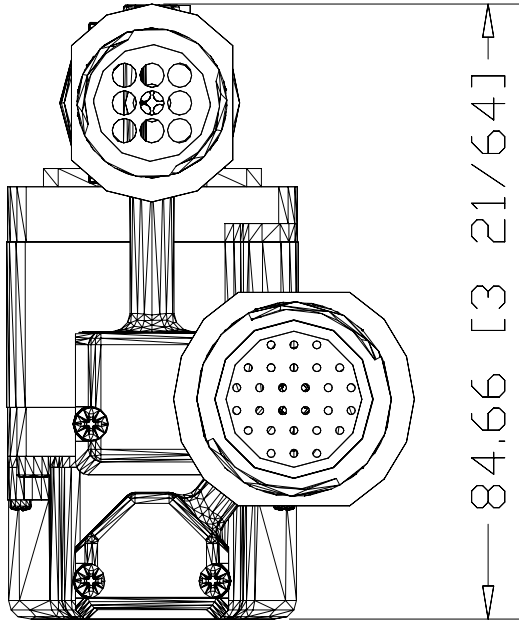


56.12 [2 13/64]



137.64 [5 27/64]



84.66 [3 21/64]

TLY-A120P-BJ62AA

Servo Motor, NEMA 17,
5000 rpm, Absolute
Encoder, Battery-Backed,
Multi-Turn, IP65 housing

