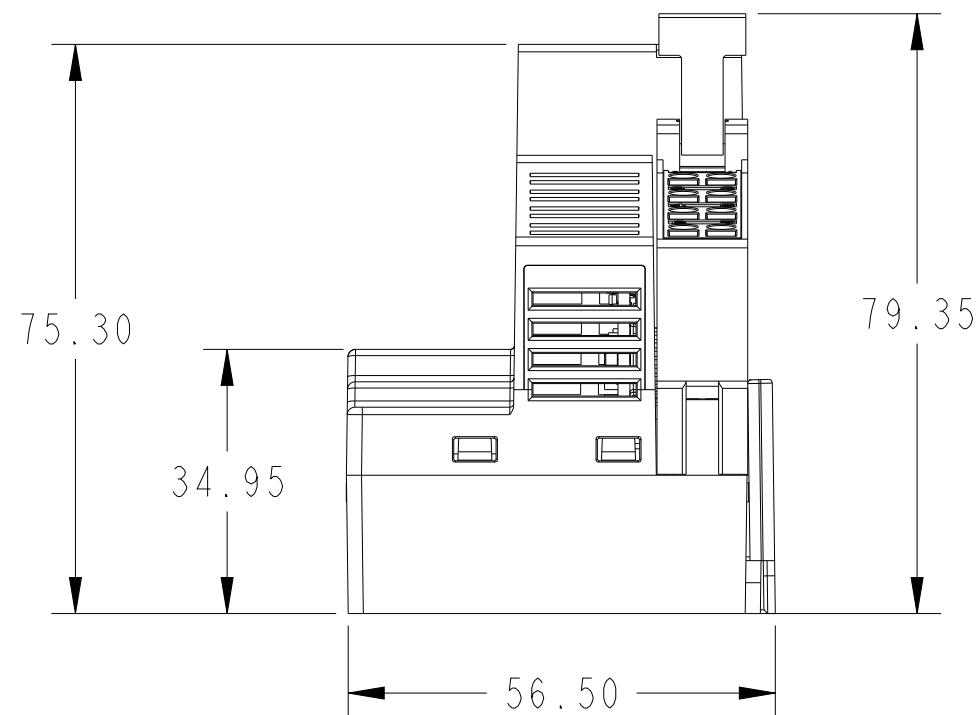
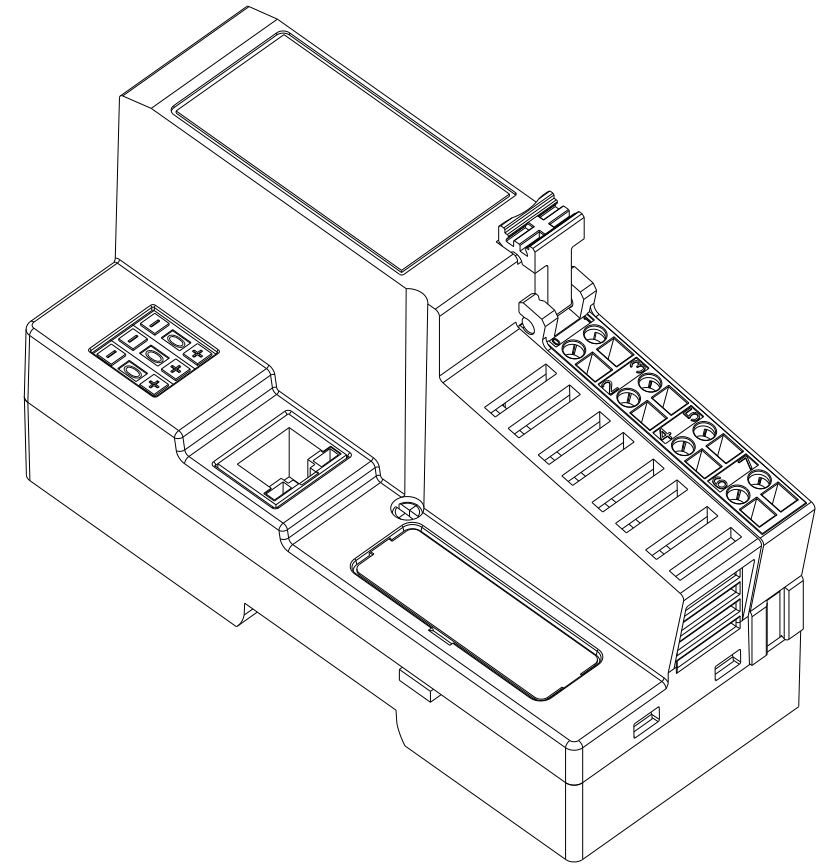
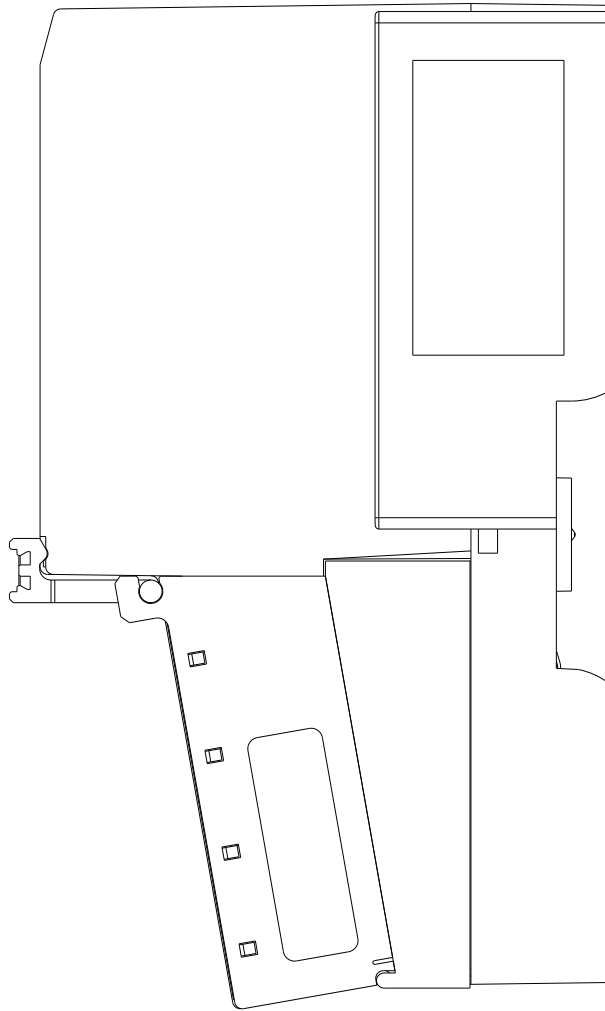
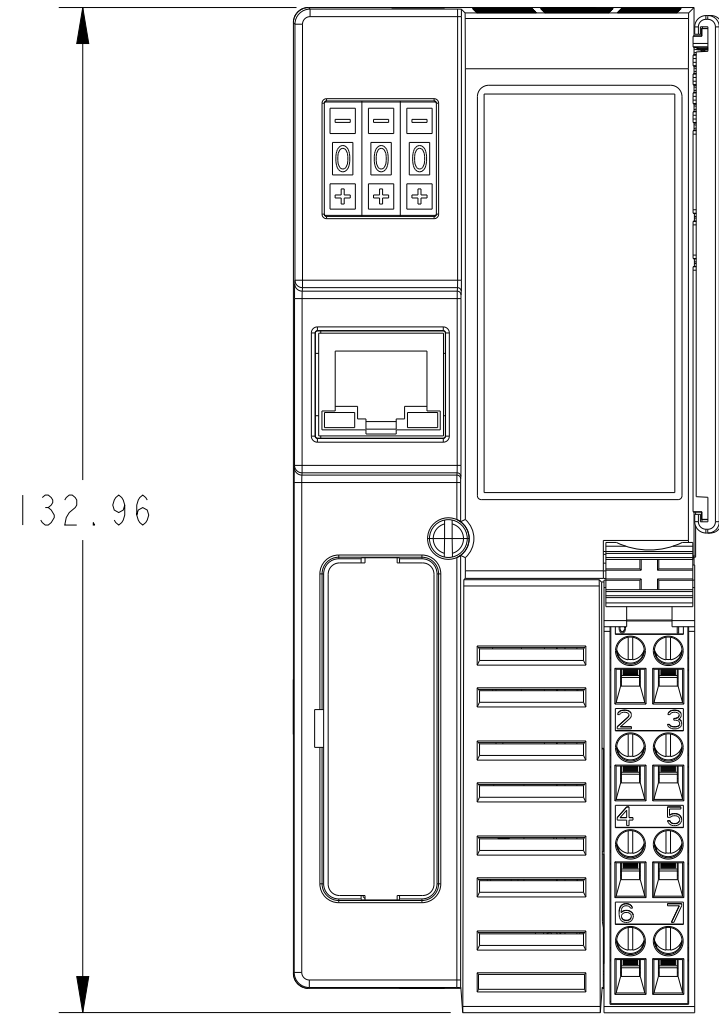


1 2 3 4 5 6 7 8

A  
B  
C  
D  
E  
F  
G  
H

A  
B  
C  
D  
E  
F  
G  
H



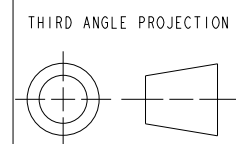
NOTE:

1) ALL DIMENSIONS ARE IN MM (REFERENCE ONLY).

ALL UNDIMENSIONED GEOMETRIES ARE CONTROLLED BY THE CAD MODEL. IN CASE OF DIMENSION DISCREPANCY, CAD MODEL OVERRIDES.



CONFIDENTIAL AND PROPRIETARY INFORMATION. THIS DOCUMENT CONTAINS CONFIDENTIAL AND PROPRIETARY INFORMATION OF ROCKWELL AUTOMATION, INC. AND MAY NOT BE USED, COPIED OR DISCLOSED TO OTHERS, EXCEPT WITH THE AUTHORIZED WRITTEN PERMISSION OF ROCKWELL AUTOMATION, INC.



DESCRIPTION

**1734-AENT**  
1-PORT ETHERNET I/O ADAPTER MODULE

DATE: 2020-03-23 SHEET 1 OF 1

SIZE	DIR	VER
<b>B</b>		<b>00</b>

CREATED BY: SSHARM35

CHANGED BY:

1 2 3 4 5 6 7 8