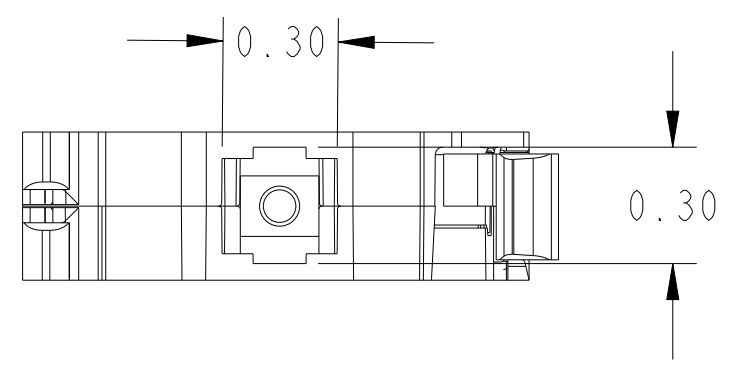
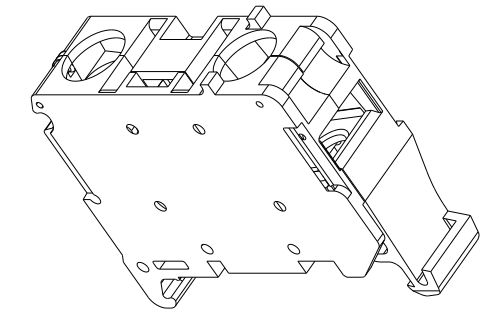
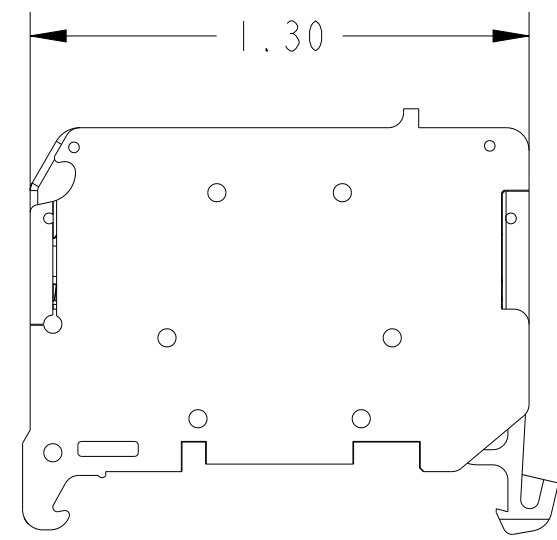
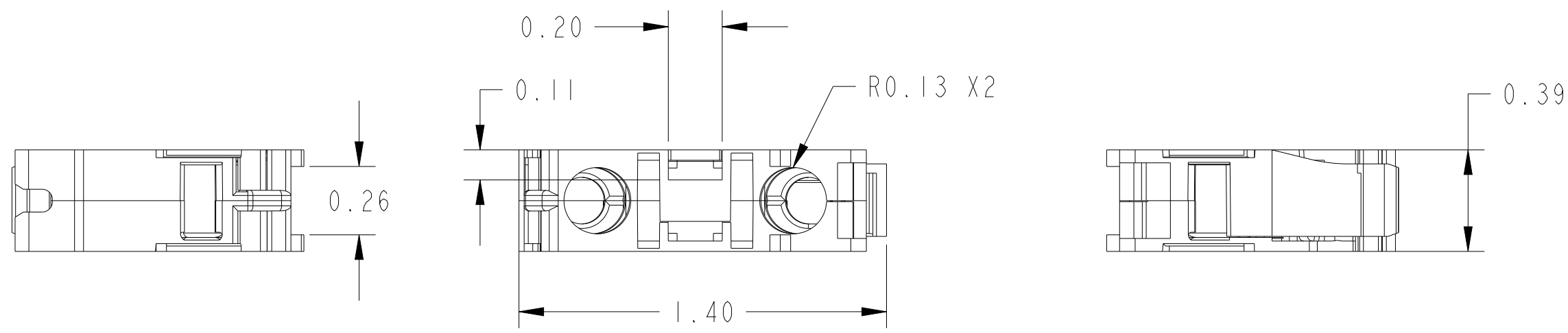


CRITICAL TO QUALITY CLASSIFICATION TABLE
P=PERFORMANCE, F=FIT, A=ASSEMBLY
X=IDENTIFIES APPLICABLE CLASSIFICATION(S)
◇=ENGINEERING AND/OR MANUFACTURING REQUIREMENT
Ⓜ=REGULATORY REQUIREMENT-CONFORMANCE IS MANDATORY

COMMENTS	DRAWING ZONE	P	F	A	R
ROHS	G1-HI				X



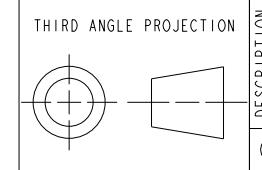
MUST COMPLY WITH ROCKWELL
AUTOMATION ENVIRONMENTAL
SPECIFICATION 970-20-01



ALL UNDIMENSIONED
GEOMETRIES ARE
CONTROLLED BY THE
CAD MODEL. IN CASE
OF DIMENSION
DISCREPANCY, CAD
MODEL OVERRIDES.



CONFIDENTIAL AND PROPRIETARY INFORMATION.
THIS DOCUMENT CONTAINS CONFIDENTIAL AND PROPRIETARY
INFORMATION OF ROCKWELL AUTOMATION, INC. AND MAY
NOT BE USED, COPIED OR DISCLOSED TO OTHERS, EXCEPT
WITH THE AUTHORIZED WRITTEN PERMISSION OF ROCKWELL
AUTOMATION, INC.



DESCRIPTION	800f_x01 ***** *****
CREATED BY: SSHARM35	CHANGED BY: *****

DATE: 2020-07-24	SHEET 1 OF 1
SIZE: B	DIR: XXXX
VER: 01	