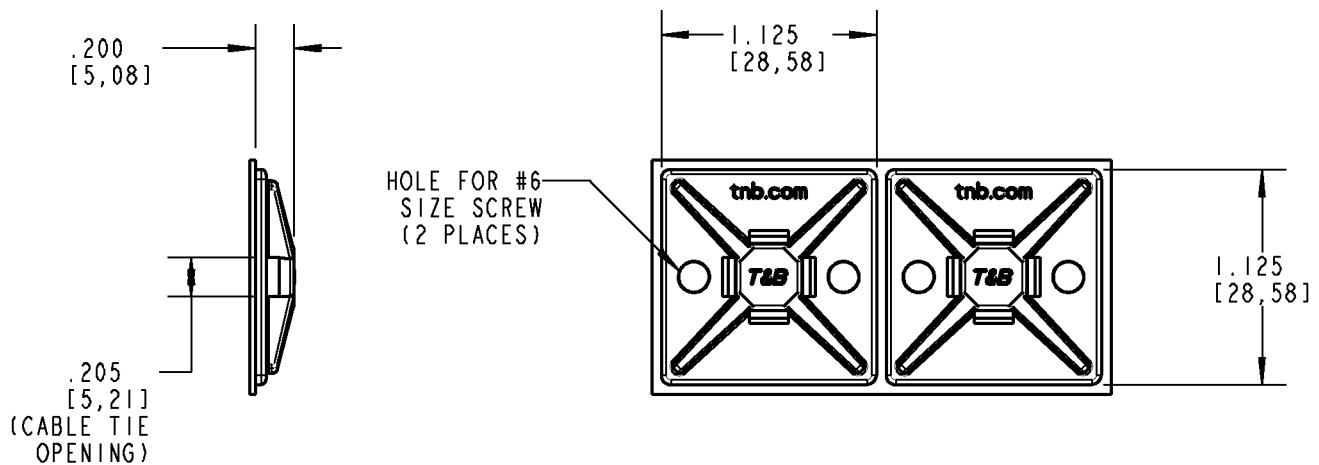




CABLE FASTENING ACCESSORIES



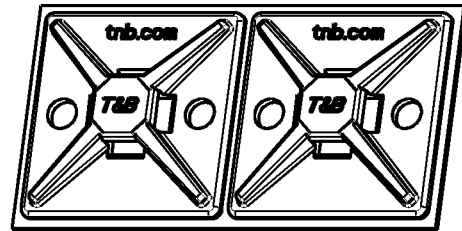
SPECIFICATIONS:

MATERIAL: NYLON

ADHESIVE: SYNTHETIC RUBBER RESIN OR SOLVENT-BASED ACRYLIC (AS INDICATED)

APPLICATION TEMPERATURE: 65°F TO 120°F (18°C TO 49°C)
STORAGE/SERVICE TEMPERATURE: 32°F TO 150°F (0°C TO 65°C)

SURFACE PREPARATION: SURFACE SHOULD BE CLEANED WITH ALCOHOL-BASED (IPA) CLEANER BEFORE APPLICATION.



NOTES:

1. ACRYLIC BASED MOUNTS MAY BE REPOSITIONED INITIALLY. ALLOW 24-72 HOURS SET-UP FOR MAXIMUM PERFORMANCE ADHESION.
2. FOR RUBBER-BASED MOUNTS, ALLOW 15 MINUTES SET-UP FOR MAXIMUM PERFORMANCE ADHESION.

* EXPIRATION DATE INDICATED ON PACKAGING.

CAT. No.	MATERIAL	MOUNTING METHOD	COLOR	PKG. QTY.
TC5345A	NYLON NATURAL	SYNTHETIC RUBBER ADHESIVE	WHITE	100
TC5345AHTFR	NYLON FLAME RETARDANT	ACRYLIC ADHESIVE	WHITE	100
TC5345AX	NYLON WEATHERABLE	SYNTHETIC RUBBER ADHESIVE	BLACK	100
TC345A	NYLON NATURAL	SYNTHETIC RUBBER ADHESIVE	WHITE	1000
TC345	NYLON NATURAL	SCREW MOUNT (NO ADHESIVE)	WHITE	1000
TC345AFR	NYLON FLAME RETARDANT	SYNTHETIC RUBBER ADHESIVE	WHITE	1000
TC345AHTFR	NYLON FLAME RETARDANT	ACRYLIC ADHESIVE	WHITE	1000
TC345AX	NYLON WEATHERABLE	SYNTHETIC RUBBER ADHESIVE	BLACK	1000

GENERAL NOTES

1. ALL DIMENSIONS ARE FOR REFERENCE ONLY.
2. DIMENSIONS IN BRACKETS [] ARE IN METRIC UNITS.

REVISIONS

-	SEE ERN (****) FOR APPROVAL SIGNATURES & RELEASE DATE. PROJECT NO: ****
---	---



DESCRIPTION:

CABLE TIE MOUNTING BASE

ORIGINAL PROJECT NO / (ERN NO)

SHEET NO:

REV. NO:

DRAWING NO:

FM40109 / (2004200)

1 OF 1

-

WSD-000068