

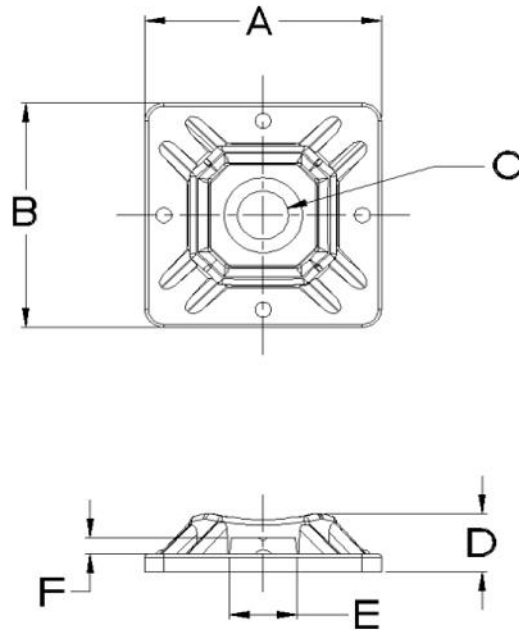
Catamount® CABLE FASTENING ACCESSORIES

SPECIFICATIONS:

MATERIAL: NYLON

ADHESIVE: SYNTHETIC RUBBER

MOUNTING SCREW SIZE: #6



NOTES:

1. APPLICATION TEMPERATURE: 65°F TO 120°F (18°C TO 49°C)
STORAGE/SERVICE TEMPERATURE: 32°F TO 158°F (0°C TO 70°C)
2. MECHANICAL STRENGTH: 11 LB / 50 N
3. SURFACE PREPARATION: SURFACE SHOULD BE CLEANED WITH ALCOHOL-BASED (IPA) CLEANER BEFORE APPLICATION.
4. APPLY WITH PRESSURE AND HOLD FOR 5 SECONDS.
5. BONDING TIME: 15 MINUTES
MAXIMUM ADHESION: 1 HOUR
6. EXPIRATION DATE INDICATED ON PACKAGING.

CAT. No.	COLOR	A	B	C	D	E	F
MPNY-1000-9-*	NATURAL	.990	.990	.214	.200	.200	.060
MPNY-1000-0-*	BLACK	[25.140]	[25.140]	[5.436]	[5.080]	[5.080]	[1.520]

* DENOTES PACK QTY. "C"= 100, "D"= 500

GENERAL NOTES		 A Member of the ABB Group			
1. ALL DIMENSIONS ARE FOR REFERENCE ONLY. 2. DIMENSIONS IN BRACKETS [] ARE IN METRIC UNITS.					
REVISIONS		ORIGINAL PROJECT NO / (ERN NO)			
1	SEE ERN (2017554) FOR APPROVAL SIGNATURES & RELEASE DATE. PROJECT NO: 054P000575	054P000575 / (2016272)	SHEET NO: 1 OF 1	REV. NO: 1	DRAWING NO: WSD-001486